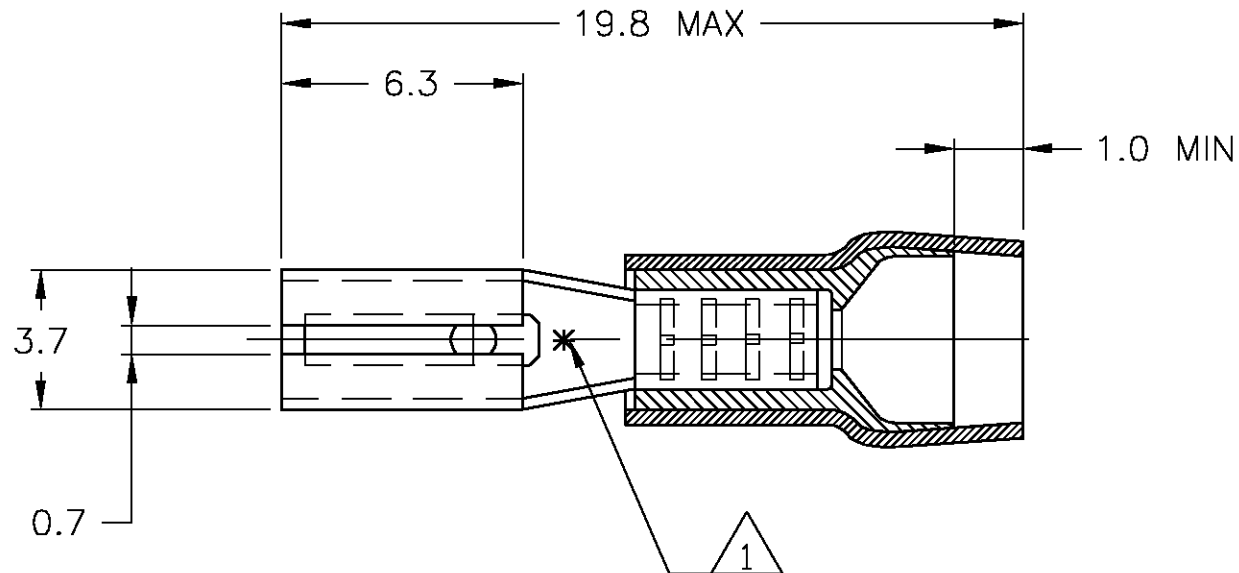


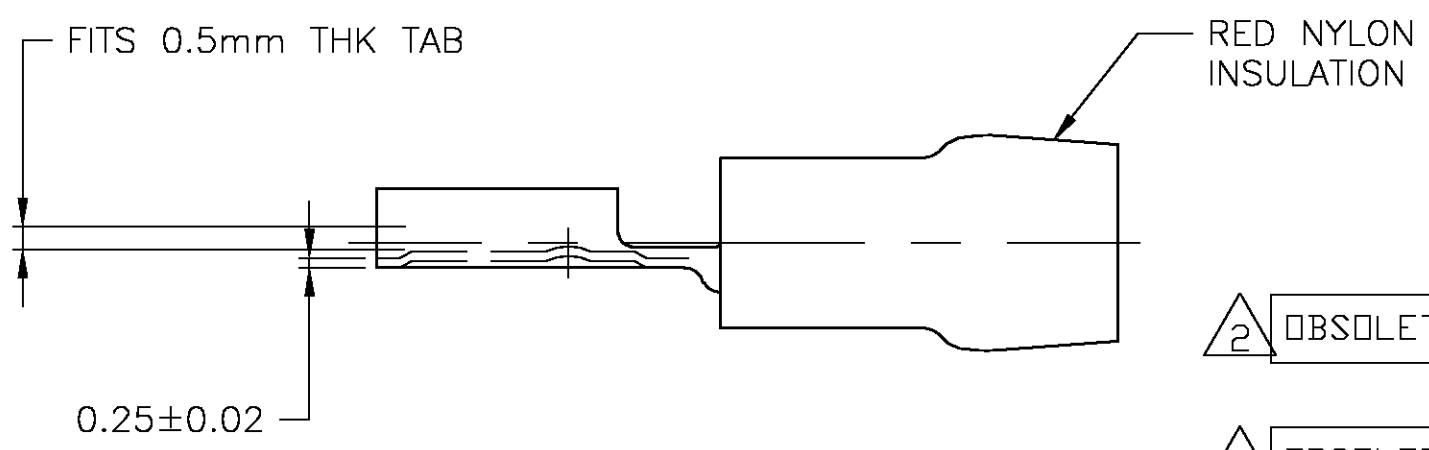
THIS DRAWING IS UNPUBLISHED. RELEASED FOR PUBLICATION  
 © COPYRIGHT BY TYCO ELECTRONICS CORPORATION. ALL RIGHTS RESERVED.

LOC	DIST	REVISIONS					
G	02	P	LTR	DESCRIPTION	DATE	DWN	APVD
		M		REV PER 0G3A-0210-05	15APR05	JR	TM

AMP WIRE RANGE	AMP INSULATION RANGE
22-16 AWG 0.3-1.5 mm <sup>2</sup>	.140 MAX DIA 3.5 MAX DIA



- △1 ASTERISK \* FOR PHOS BRONZE VERSION ONLY
- △2 OBSOLETE W/O REPLACEMENT



		GOLD	PHOS BRONZE	165565-6
△2 OBSOLETE		GOLD	BRASS	165565-5
		SILVER	PHOS BRONZE	165565-4
△2 OBSOLETE		SILVER	BRASS	165565-3
	2-165565-2	TIN	PHOS BRONZE	165565-2
	2-165565-1	TIN	BRASS	165565-1
	PN ON TAPE	FINISH	MATERIAL	PART NUMBER

THIS DRAWING IS A CONTROLLED DOCUMENT.		DWN jr_ruth 15APR05	Tyco Electronics Corporation Harrisburg, Pa 17105-3608	
DIMENSIONS: mm		CHK T MICHIELUTTI 15APR05		
TOLERANCES UNLESS OTHERWISE SPECIFIED:		APVD T MICHIELUTTI 15APR05	NAME	
0 PLC ±-		PRODUCT SPEC	RECEPTACLE, FASTON, PIDG, .110 SERIES	
1 PLC ±-		APPLICATION SPEC	-	
2 PLC ±-		WEIGHT	SIZE A3	RESTRICTED TO
3 PLC ±-		CUSTOMER DRAWING	CAGE CODE 00779	DRAWING NO C-165565
4 PLC ±-			SCALE 5:1	SHEET 1 OF 1
ANGLES ±5°			REV M	
MATERIAL -				
FINISH -				