

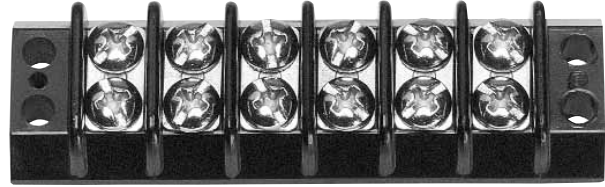
# Double Row Terminal Blocks

## 100 Series Kulka® 670A GP Series

### 150 Volts

#### Specifications:

- Base, General Purpose Phenolic, 150°C
- Closed Back Design
- Screws, #6-32 Binder Head, Phil-Slot, Steel
- Terminals, Plated Brass
- 1-36 Poles
- 3/8" Centers
- Wire Range With Wire Binding Screw #12-#22 AWG – 20 Amps
- Wire Range With Sems Pressure Screw #18-#22 AWG Stranded Copper Wire Only, 150 Volts 15 Amps
- The Suitability Of These Devices For Greater Currents Shall Be Determined In The End-Use Application
- UL Recognized File No. XCFR2.E62806
- CSA Certified File No. LR19766
- C E



MSP Catalog #	Kulka® Catalog #	# of poles	Dimensions	
			A	B
101	670A GP 01	1	1.03	0.75
102	670A GP 02	2	1.41	1.13
103	670A GP 03	3	1.78	1.50
104	670A GP 04	4	2.16	1.88
105	670A GP 05	5	2.53	2.25
106	670A GP 06	6	2.91	2.63
107	670A GP 07	7	3.28	3.00
108	670A GP 08	8	3.66	3.38
109	670A GP 09	9	4.03	3.75
110	670A GP 10	10	4.41	4.13
111	670A GP 11	11	4.78	4.50
112	670A GP 12	12	5.16	4.88
113	670A GP 13	13	5.53	5.25
114	670A GP 14	14	5.91	5.63
115	670A GP 15	15	6.28	6.00
116	670A GP 16	16	6.66	6.38
117	670A GP 17	17	7.03	6.75
118	670A GP 18	18	7.41	7.13

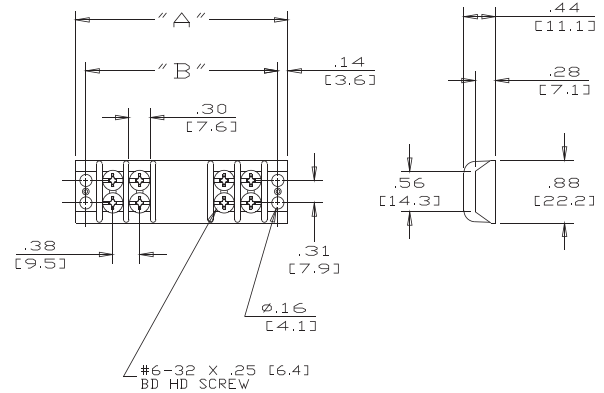
MSP Catalog #	Kulka® Catalog #	# of poles	Dimensions	
			A	B
119	670A GP 19	19	7.78	7.50
120	670A GP 20	20	8.16	7.88
121	670A GP 21	21	8.53	8.25
122	670A GP 22	22	8.91	8.63
123	670A GP 23	23	9.28	9.00
124	670A GP 24	24	9.66	9.38
125	670A GP 25	25	10.03	9.75
126	670A GP 26	26	10.41	10.13
127	670A GP 27	27	10.78	10.50
128	670A GP 28	28	11.16	10.88
129	670A GP 29	29	11.53	11.25
130	670A GP 30	30	11.91	11.63
131	670A GP 31	31	12.28	12.00
132	670A GP 32	32	12.66	12.38
133	670A GP 33	33	13.03	12.75
134	670A GP 34	34	13.41	13.13
135	670A GP 35	35	13.78	13.50
136	670A GP 36	36	14.16	13.88

Top Mounted Hardware is .187" Wide

MM=Dim X 25.4

#### Hardware Options: (Hardware options may affect ratings - consult factory)

MSP	KULKA		
(F1)	KT19	= Full Quick Connect (0° flat)	See Page 96
(F2)	KT20	= Full Quick Connect (45° Bend)	See Page 96
(F3)	KT21	= Full Quick Connect (90° Bend)	See Page 96
(S)	ST	= Full Solder	See Page 97
(LL100)	J 600	= Line to Line Jumper	See Page 99
	600RJ(S)	= Multiple Position Jumper	See Page 99
(HS)	3/4 ST	= Half Solder	See Page 97
(HF1)	KT25	= Half Quick Connect (0° Flat)	See Page 96
(HF2)	KT26	= Half Quick Connect (45° Bend)	See Page 96
(HF3)	KT27	= Half Quick Connect (90° Bend)	See Page 96
(L)	Y	= Feed Thru Solder (.312)	
	LWW	= Feed Thru Wire Wrap (.593)	
	YSY	= Feed Thru Solder (.500)	
	PSB	= Phil-Slot Brass Screw	



Single/Double Row Terminal Blocks