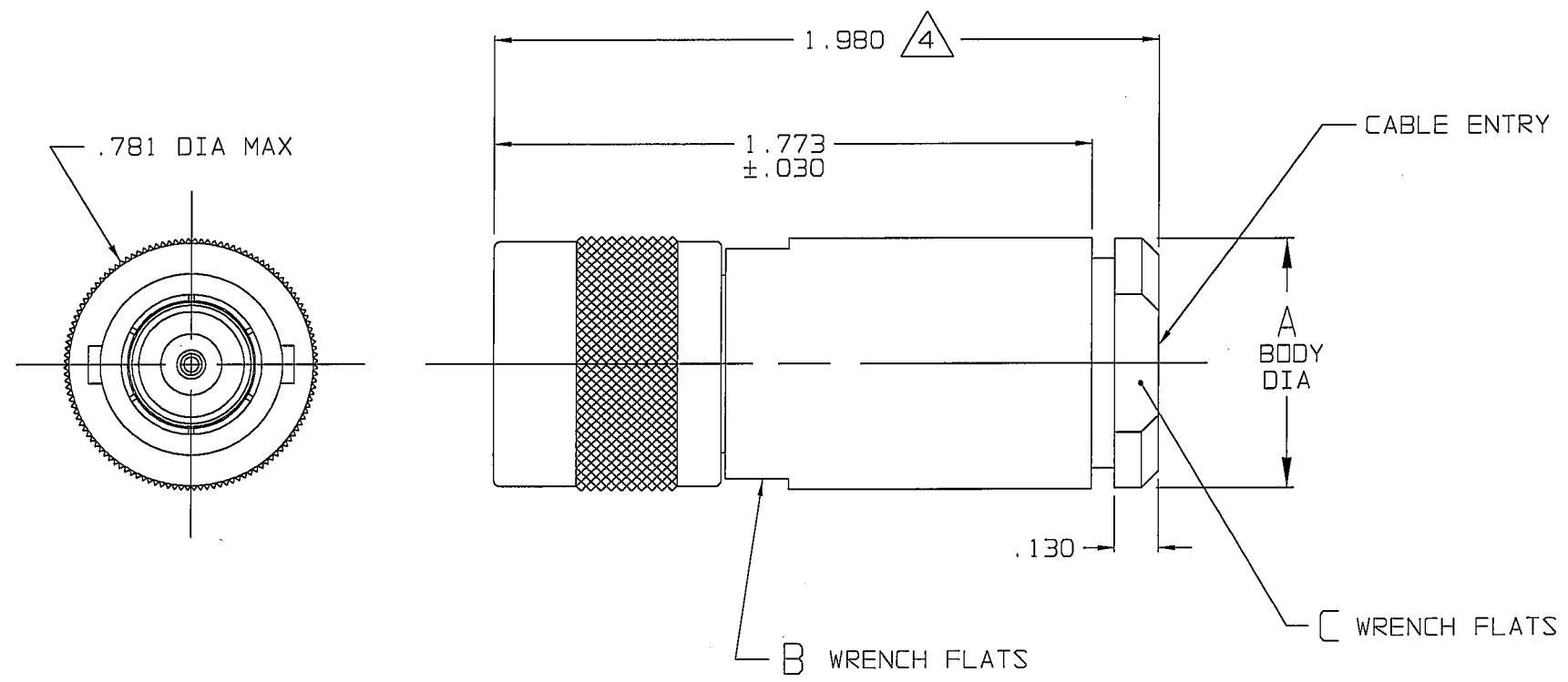


DASH NO	CABLES ACCOMMODATED	A DIA	B FLATS	C FLATS	ASSEMBLE PER			
-7	TRC-50-2/TRC-75-2	.750	.687	.625	TAI-175			
-8	8227, BELDEN				TAI-116			
-9	TWC-78-2, RG-108, TWC-124-2				TAI-131			
-10	754E, W.E.CO., RG-22				TAI-175			
-11	760A, W.E.CO.				TAI-116			
-12	16PEVL, W.E.CO.				TAI-175			
-13	TRF-59, TIMES				TAI-124			
-13A	8232, BELDEN				TAI-175			
-14	21-529, ESSEX 8233, BELDEN				TAI-116			
-14A	TRC-50-4A				TAI-175			
-15	21-583, ESSEX				TAI-116			
-16	21-950, ESSEX				TAI-175			
-26	275-3962, MICRODOT				.750	.687	.625	TAI-116
-29	TWC-124-1A	TAI-175						
-32	TRC-50-1	TAI-175						
-33	TRC-75-1	TAI-124						
-42	21-204, ESSEX	TAI-175						
-46	9860, BELDEN	.990	.875	.875				TAI-116
-47	M17/176-00002							TAI-175
-54	89207, BELDEN							TAI-175
-61	5012W5812, RAYCHEM							TAI-175
-62	7518A0811, RAYCHEM							TAI-175

DATA CONTAINED IN THIS DOCUMENT IS PROPRIETARY TO TROMPETER ELECTRONICS, INC. AND SHALL NOT BE DISCLOSED, COPIED OR USED FOR PROCUREMENT OR MANUFACTURE WITHOUT EXPRESS WRITTEN PERMISSION OF TROMPETER ELECTRONICS, INC.

REVISIONS		1-0156	SH 1
REV	DESCRIPTION	DATE	APPROVED
AE	REVISED PER ECD 15098	6/24/03	WJ



-9 SHOWN

RED INDICATES ORIGINAL

- 5. CONCENTRIC TWINAX/TRIAX "C" STYLE CABLE PLUG W/SOCKET CENTER CONTACT
- △ DIM IS MAX WHEN ASSEMBLED TO CABLE
- 3. INTERFACE: TCS-PL80
- 2. FINISH: TFS-1A (NICKEL)
- 1. ALL DIM ARE IN INCHES

INTERPRET DRAWING PER MIL-STD-100 DIMENSIONS ARE IN INCHES AND INCLUDE FINISH THICKNESS UNLESS OTHERWISE SPECIFIED		TOL: UNLESS SPECIFIED .XX .XXX ±.005 .XXXX .XXXXX			
DRAWN: AAH	DATE: 6-23-03	MATERIAL:			
CHECKED: T.K.	DATE: 6-23-03	FINISH:		SIZE: B	
QUALITY: JF	DATE: 6/25/03	SCALE: 2/1		CAGE CODE: 14949	
HANDLER: SP	DATE: 6/24/03	DATE: 4/28/69		DRAWING NO.: 1-0156	
APPROVED: WJ	DATE: 6/24/03	SHEET: 1C		REV.: AE	
NEXT ASSY	CAD FILE NO: 1-0156AE	DD NOT SCALE DWG			