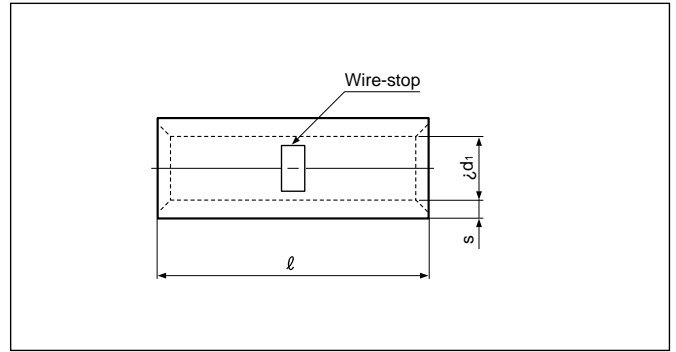


# BUTT SPLICE DIN 46341

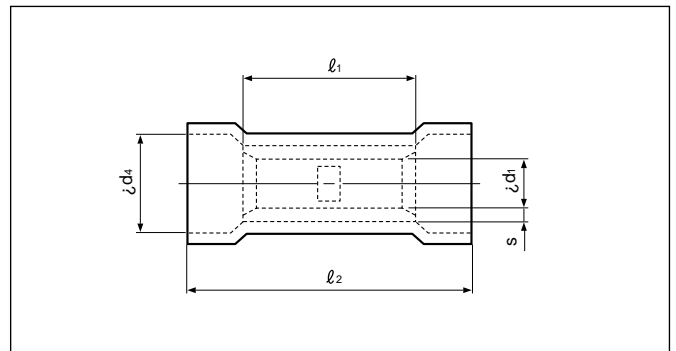


## Non-insulated

Applicable Wire mm <sup>2</sup> (AWG#)	Part No.	Nominal Size DIN46341	Dimensions mm (in.)			Tool No.	Qty/box
			ø d <sub>1</sub>	l	s		
0.1 to 0.5 (26 to 22)	C-0.5A	0.5	1.2 (.047)	12.0 (.472)	0.4 (.016)	—	2,000
0.25 to 1.5 (22 to 16)	GSC-1	1	1.6 (.063)	15.0 (.591)	0.8 (.031)	JCH-10	
>1 to 2.5 (16 to 14)	GSC-2.5	2.5	2.3 (.091)	15.0 (.591)	0.8 (.031)		
>2.5 to 6 (12 to 10)	GSC-6	6	3.6 (.142)	15.0 (.591)	1.0 (.039)	JCS-350 YH-540	1,000
>6 to 10 (8)	GSC-10	10	4.5 (.177)	20.0 (.787)	1.1 (.043)		500
>10 to 16 (6)	GSC-16	16	5.8 (.228)	23.0 (.906)	1.2 (.047)	JCS-350, YH-540 JS-150D, JSHR-150	
>16 to 25 (4)	GSC-25	25	7.5 (.295)	25.0 (.984)	1.5 (.059)		250
>25 to 35 (2)	GSC-35	35	9.0 (.354)	27.0 (1.063)	1.6 (.063)	200	
>35 to 50 (1)	GSC-50	50	11.0 (.433)	38.0 (1.496)	1.8 (.071)		YH-540 JS-150D
>50 to 70 (1/0 to 2/0)	GSC-70	70	13.0 (.512)	42.0 (1.654)	2.0 (.079)	100	
>70 to 95 (3/0)	GSC-95	95	15.0 (.591)	48.0 (1.890)	2.5 (.098)		JS-150D JSHR-150
>95 to 120 (4/0 to 250MCM)	GSC-120	120	16.5 (.650)	52.0 (2.047)	3.0 (.118)	50	
>120 to 150 (250 to 300MCM)	GSC-150	150	19.0 (.748)	56.0 (2.205)	3.2 (.126)		JS-150D JSHR-150

Note:1) Contact J.S.T. Europe N.V., Belgium for the above tools.

2) Delivery lead times may vary depending on the product. Contact JST for details.



## Vinyl-insulated

Applicable Wire mm <sup>2</sup> (AWG#)	Part No.	Nominal Size DIN46341	Dimensions mm (in.)					Color	Tool No.	Qty/box
			ø d <sub>1</sub>	ø d <sub>4</sub>	l <sub>1</sub>	l <sub>2</sub>	s			
0.25 to 1.5 (22 to 16)	FVGSC-1	1	1.7 (.067)	3.4 (.134)	15.0 (.591)	25.0 (.984)	0.6 (.024)	Red	JCH-1112	1,000
>1 to 2.5 (16 to 14)	FVGSC-2.5	2.5	2.3 (.091)	4.3 (.169)	15.0 (.591)	25.0 (.984)	0.6 (.024)	Blue	JCH-1112, JCH-1213	1,000
>2.5 to 6 (12 to 10)	FVGSC-6	6	3.6 (.142)	6.4 (.252)	15.0 (.591)	27.0 (1.063)	0.7 (.028)	Yellow	JCH-1213	500

Note:1) Contact J.S.T. Europe N.V., Belgium for the above tools.

2) Delivery lead times may vary depending on the product. Contact JST for details.

## Nylon-insulated

Applicable Wire mm <sup>2</sup> (AWG#)	Part No.	Nominal Size DIN46341	Dimensions mm (in.)					Color	Tool No.	Qty/box
			ø d <sub>1</sub>	ø d <sub>4</sub>	l <sub>1</sub>	l <sub>2</sub>	s			
0.1 to 0.5 (26 to 22)	FNGSC-0.5	0.5	1.2 (.047)	2.0 (.079)	12.0 (.472)	20.0 (.787)	0.4 (.016)	Yellow	JCH-9	2,000
0.25 to 1.5 (22 to 16)	FNGSC-1	1	1.7 (.067)	3.2 (.126)	15.0 (.591)	25.0 (.984)	0.8 (.031)	Red	JCH-1112	1,000
>1 to 2.6 (16 to 14)	FNGSC-2.5	2.5	2.3 (.091)	3.8 (.150)	15.0 (.591)	25.0 (.984)	1.0 (.039)	Blue	JCH-1112, JCH-1213	1,000
>2.5 to 6 (12 to 10)	FNGSC-6	6	3.6 (.142)	5.4 (.213)	15.0 (.591)	27.0 (1.063)	1.0 (.039)	Yellow	JCH-1213	500

Note:1) Contact J.S.T. Europe N.V., Belgium for the above tools.

2) Delivery lead times may vary depending on the product. Contact JST for details.