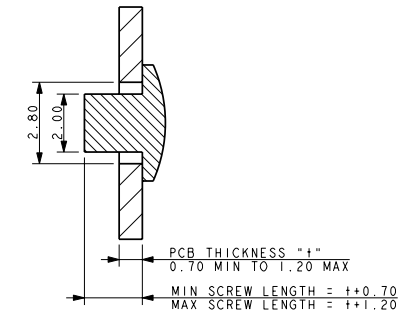
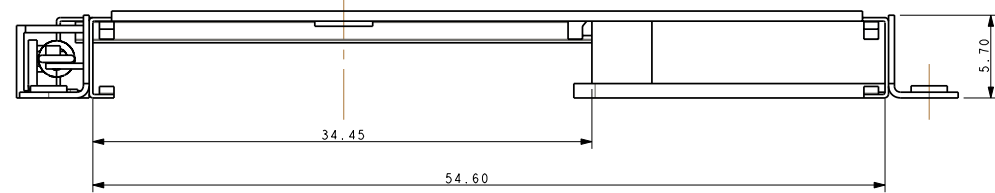
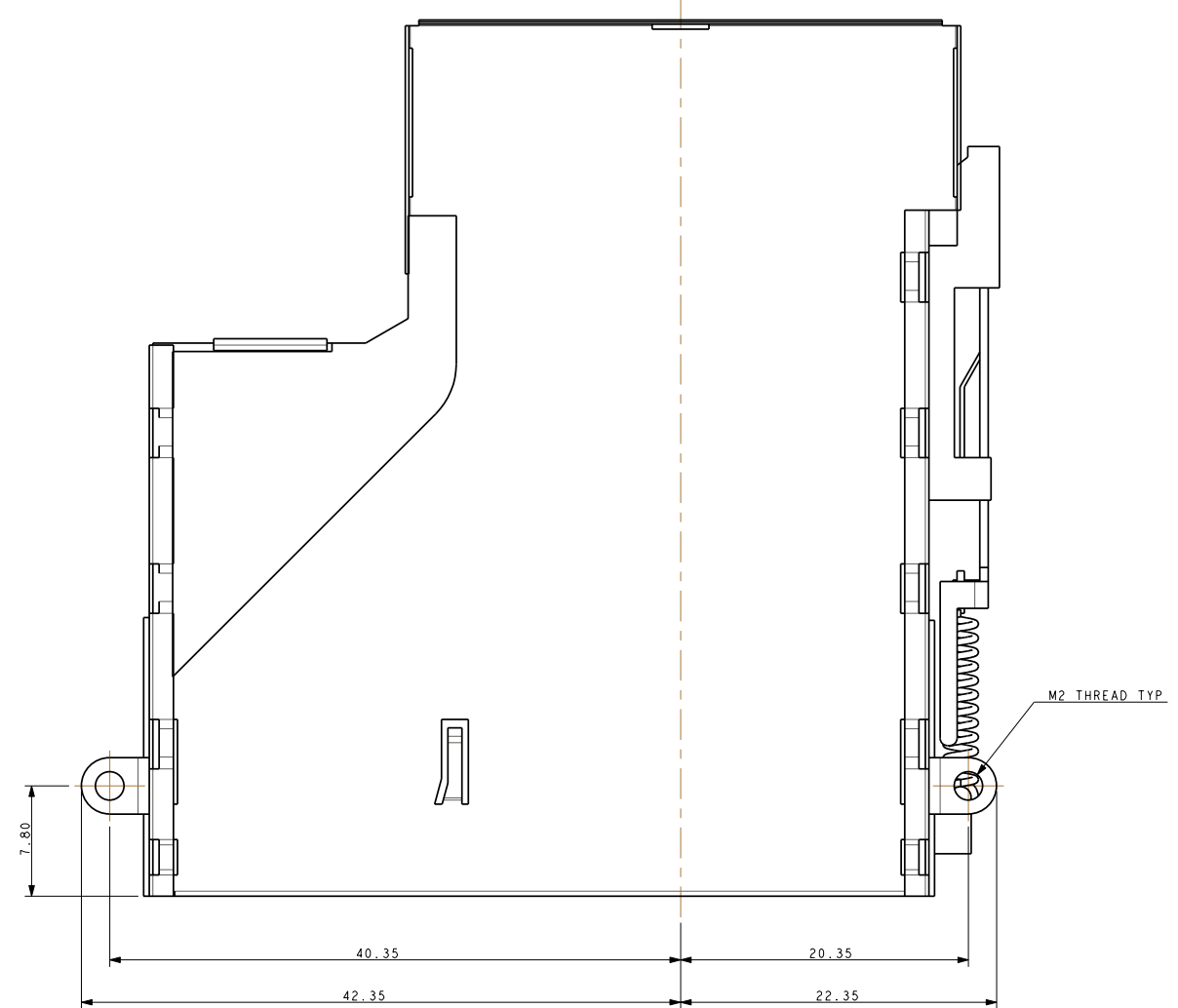
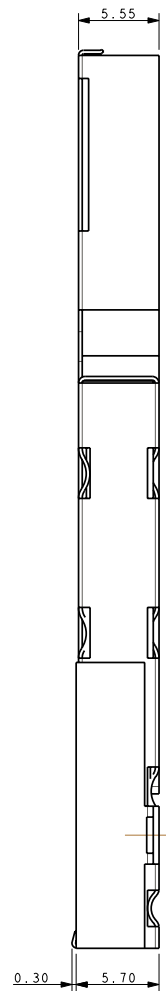
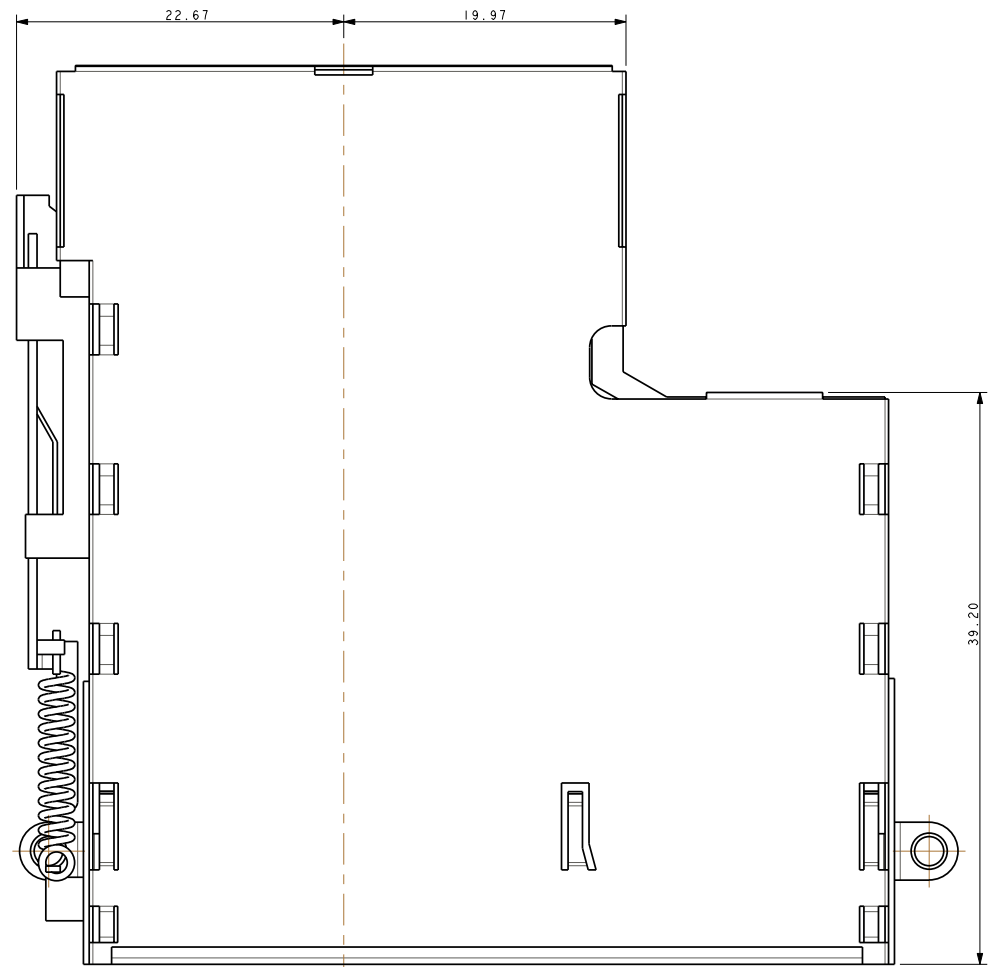


ELCO EUROPE (A DIVISION OF AVX LTD.) CONFIDENTIAL PROPRIETARY  
 THE DRAWING ON THIS PRINT AND INFORMATION THEREWITH ARE  
 PROPRIETARY TO ELCO EUROPE (A DIVISION OF AVX LTD.) AND  
 SHALL NOT BE USED OR DISCUSSED IN WHOLE OR IN PART  
 WITHOUT ELCO EUROPE'S WRITTEN CONSENT.



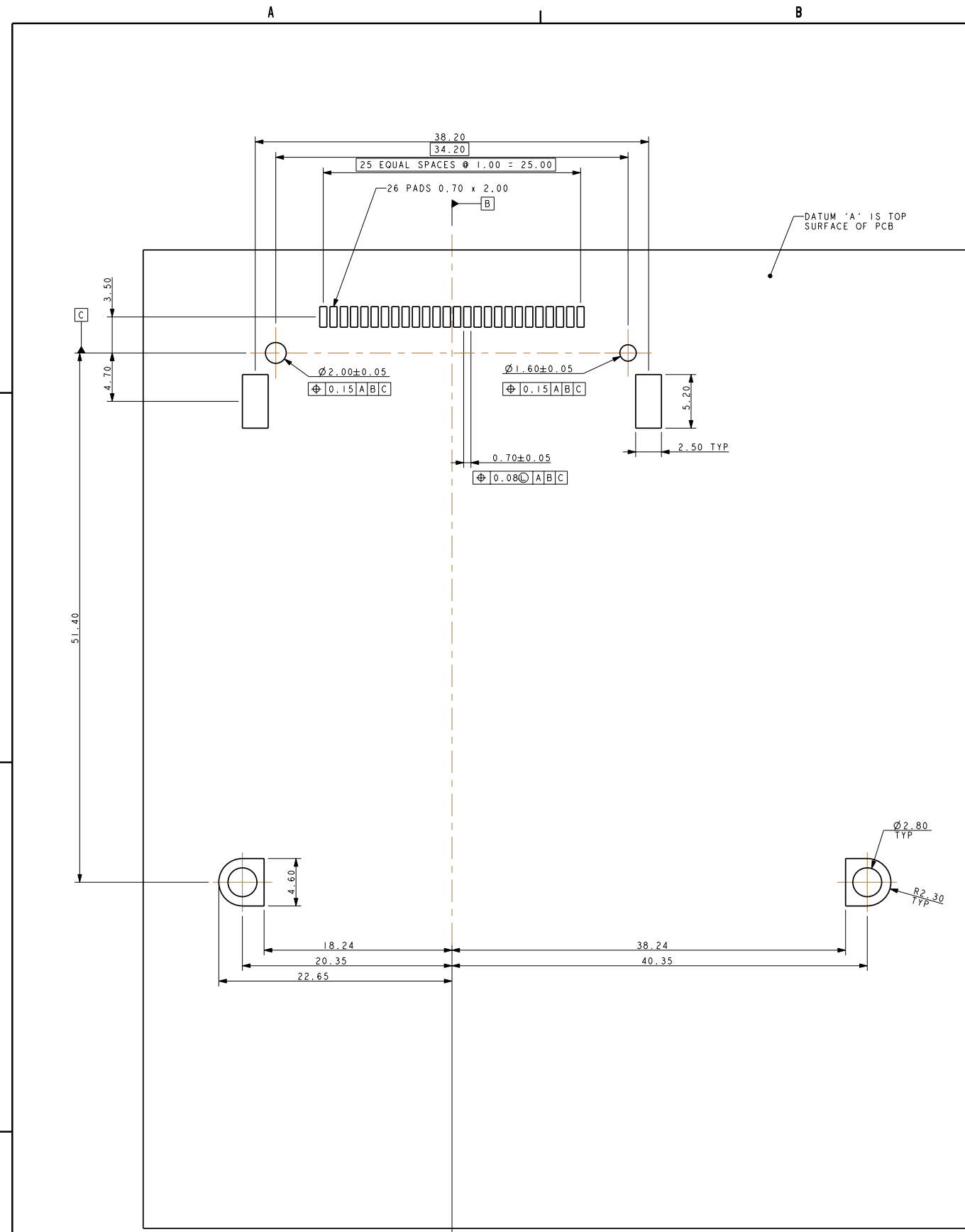
- NOTES :-
1. DIMENSIONS ARE REFERENCE DIMENSIONS UNLESS TOLERANCED.
  2. COMPONENT CAN ONLY BE USED WITH 26 WAY HEADER CONNECTOR 10-9185-026-001-002.
  3. THIS COMPONENT IS FULLY COMPATIBLE WITH PCI EXPRESS KITS IN BOTH 34mm AND 54mm FORMATS.
  4. CONNECTOR SHOWN FOR REFERENCE ONLY.
  5. AREA ON PCB COVERED BY THE GUIDERAIL AND CONNECTOR, NOT AVAILABLE FOR OTHER COMPONENTS.
  6. AREA OCCUPIED BY 54mm KIT IN LOCKED POSITION.
  7. 2 MOUNTING SCREWS REQUIRED. THREAD M2, MAXIMUM TORQUE 0.15Nm.
  8. PACKING IN TRAYS, 9 PARTS PER TRAY, 180 PARTS PER CARTON.



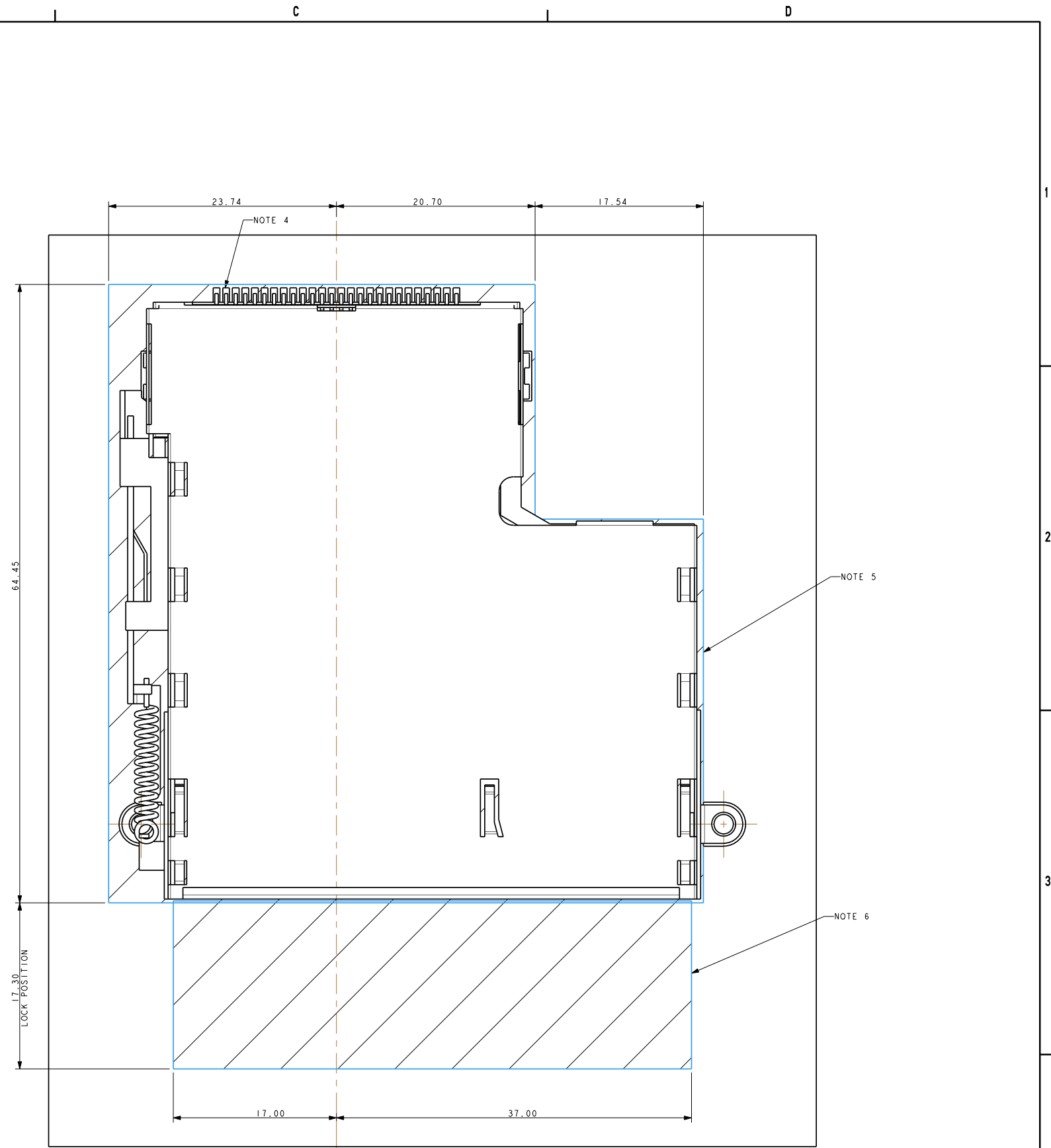
FORM-106-01-056-4 ISS-7  
 RELEASE NO.  
 102402

ELCO EUROPE (A DIVISION OF AVX LTD.) CONFIDENTIAL PROPRIETARY THE DRAWING ON THIS PRINT AND INFORMATION THEREWITH ARE PROPRIETARY TO ELCO EUROPE (A DIVISION OF AVX LTD.) AND SHALL NOT BE USED OR DISCUSSED IN WHOLE OR IN PART WITHOUT ELCO EUROPE'S WRITTEN CONSENT.			Drawn N.C.H.	Description PCI EXPRESS - 54mm GUIDERAIL	DATE 19-JUL-05
ALL DIMENSIONS IN MILLIMETRES		© COPYRIGHT ELCO EUROPE NOT TO BE DISCLOSED OR COPIED WITHOUT WRITTEN PERMISSION	Size DV	Part Number 11-9185-054-000-001S	Issue A

SHEET 1 OF 2



SUGGESTED PCB LAYOUT



GUIDERAIL AND CONNECTOR MOUNTED ON A PCB

ELCO EUROPE (A DIVISION OF AVX LTD.) CONFIDENTIAL PROPRIETARY  
 THE DRAWING ON THIS PRINT AND INFORMATION THEREWITH ARE  
 PROPRIETARY TO ELCO EUROPE (A DIVISION OF AVX LTD.) AND  
 SHALL NOT BE USED OR DISCUSSED IN WHOLE OR IN PART  
 WITHOUT ELCO EUROPE'S WRITTEN CONSENT.



SHEET 2 OF 2

FORM-106-01-056-4 ISS-7  
 RELEASE NO.  
 102402

ELCO EUROPE (A DIVISION OF AVX LTD.) CONFIDENTIAL PROPRIETARY  
 THE DRAWING ON THIS PRINT AND INFORMATION THEREWITH ARE PROPRIETARY TO  
 ELCO EUROPE (A DIVISION OF AVX LTD.) AND SHALL NOT BE USED OR DISCUSSED  
 IN WHOLE OR IN PART WITHOUT ELCO EUROPE'S WRITTEN CONSENT.

3/4 ANGLE  
 ALL DIMENSIONS  
 IN MILLIMETRES

ELCO  
 © COPYRIGHT ELCO EUROPE  
 NOT TO BE DISCLOSED OR COPIED  
 WITHOUT WRITTEN PERMISSION

Drawn: N.C.H.  
 Size: DV  
 Description: PCI EXPRESS - 54mm GUIDERAIL  
 Part Number: 11-9185-054-000-001S  
 DATE: 29-JUL-05  
 ISSUE: A