

TLCS-900 Family TLCS-900/L1 Series
<div style="background-color: red; color: white; padding: 5px; font-weight: bold; font-size: 1.2em;">16bit</div> <div style="text-align: center;"> <div style="border: 1px solid black; padding: 2px; font-size: 0.8em;">Under Development</div> <div style="font-size: 1.5em; font-weight: bold; margin-top: 5px;">TMP91FW40FG</div> </div> <div style="text-align: center;"> </div> <div style="background-color: red; color: white; padding: 5px; font-weight: bold; font-size: 1.2em;">100pin</div>

16-bit microcontroller with flash memory and LCD driver supporting 160 pixels

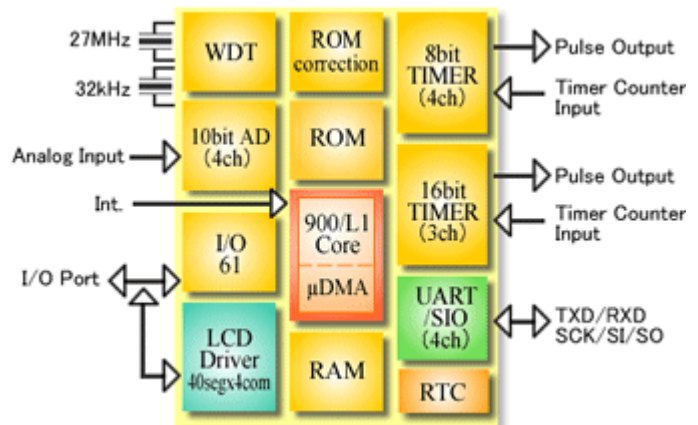
Features

● **TLCS-900/L1 CPU Core**

- Operating voltage:
2.2 V to 3.6 V (FLASH)
- Minimum instruction execution time:
148 ns (at 27 MHz, 2.7 to 3.6 V)
250 ns (at 16 MHz, 2.2 to 3.6 V)
- Internal ROM: 128 Kbytes
- Internal RAM: 4 Kbytes

● **Built-in Functions**

- LCD driver : 40segments
(lower-voltage type) × 4 commons
- SIO/ UART : 4channels
- 16-bit timer : 3channels
- 8-bit timer : 4channels
- 10-bit AD converter : 4channels
- Key-on wake-up : 4channels
- Program patch logic : 6banks



● **Product Lineup**

** : Under development

Part number	ROM	RAM
TMP91CW40FG**	128 Kbytes	4 Kbytes

› For further information about Toshiba microcomputers, please visit <http://www.semicon.toshiba.co.jp/eng/prd/micro/index.html>.

Development Systems

● **Software Products**

Toshiba Integrated Development Environment (TIDE)		Real-Time OS
C Compiler	Build Manager & Debugger & Simulator Set	μITRON 3.0
SW96CN0-ZCC: 1 license SW96CN3-ZCC: 10 licenses	SW96MN0-ZCC: 1 license SW96MN3-ZCC: 10 licenses	SW96RN2-ZCC: Object code can be freely copied. SW96RNC-ZCC: Object code can be freely copied. With source code.

● **Hardware Products**

** : Under development

Part number	Test Tool	
	Controller	Emulation pod
TMP91FW40FG**	BM1040R0A/BM1055R0C	BM91CW40F0A-M15**

› As to hardware products, additional accessories are needed.

› For further information about Toshiba microcomputer development systems, please visit http://www.semicon.toshiba.co.jp/mctool/index_e.htm.

