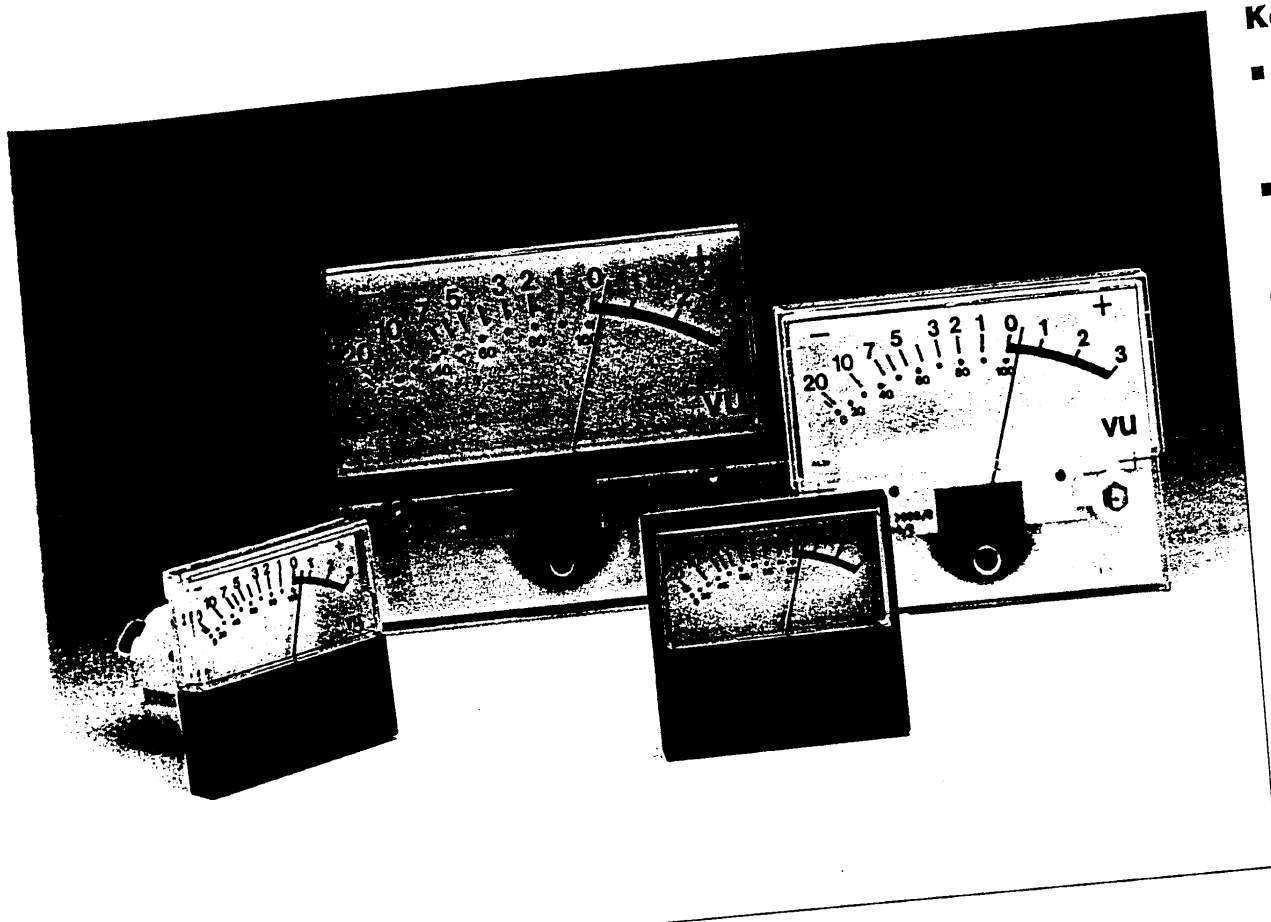


970-232/244/256

Presenter

Audio Level Meter types AL19, AL29, AL39



Key features

- Flexible styling- 3 sizes each in four styles
- High performance at affordable price
- Illumination options

Product - general description

The Presenter Audio Level range of analogue panel meters complements the proven and popular industrial series. The range is available in three sizes each in four styles and offer a performance not significantly different from full specification vu meters to meet today's audio market requirement for quality at affordable prices.

Features and benefits

Each of the four styles available can be provided for:

- Simple back of panel mount
- Back of panel mount with accompanying bezel
- Front of panel mounting with lower mask
- Front of panel mounting with full bezel
- Constructed with transparent acrylic front and high impact transparent polystyrene rear body moulding. Masks and bezels are moulded in black ABS.
- Taut band core magnet movement incorporated as standard with compact 26mm diameter barrel. This rugged movement makes these meters equally suitable for portable or fixed audio applications. There is no calibration effect when mounted on a ferrous panel.

Specification

A low range ac voltmeter offering a performance close to that of a full specification vu meter. Please refer to back page for full details.

Pointers and dials

The combination of tube pointer and flattened arc scale on translucent buff coloured dial results in an easily read meter, even when monitoring a row on a large console. A white dial can be specified if required. The standard scale is based on the vu 'A' scale as illustrated in the above photographs but the 'B' scale with the 'percent' reading at the top can be supplied to order at no extra cost.

Zero adjuster

Positioned on the rear as standard but can be offered on the front.

Certified drawings

Available on request.

Operating temperature

-25°C to +55°C.

Illumination

Comprehensive options are available. Please refer to back page for more information.

Terminals

6mm tags are supplied as standard but threaded studs are available. Please refer to back page for more information.

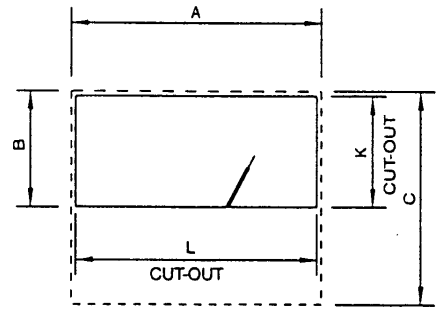
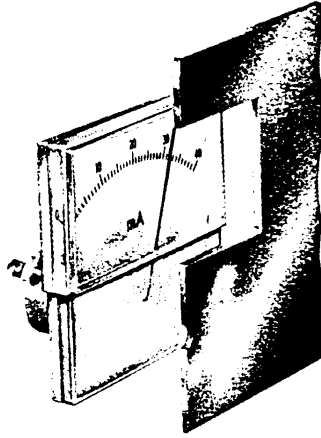
Ordering Information

To order, simply refer to the SIFAM User Information Guide or contact the sales office.

Presentor Style W

For back of panel mounting with only the scale and pointer visible.

Types AL19W, AL29W, AL39W



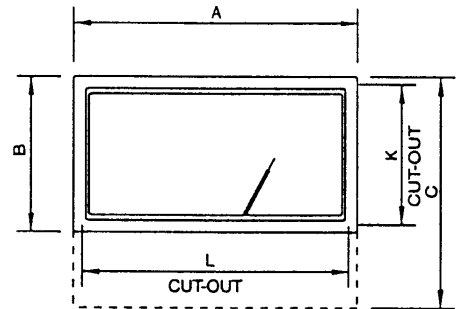
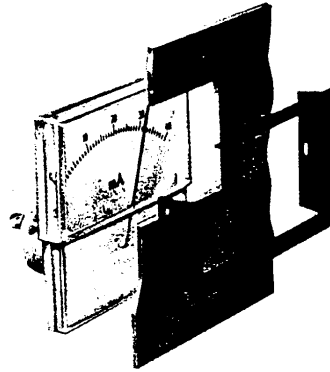
Meter barrel cut out 27.0mm/1.06"

Fixing studs M2.5x10.0mm/0.39"
(except type 19: M2)

Presentor Style WF

For back of panel mounting with bezel and with only the scale and pointer visible.

Types AL19WF, AL29WF, AL39WF



Max panel thickness 4.0mm/0.16"
(except type 19: 3.0mm/0.12")

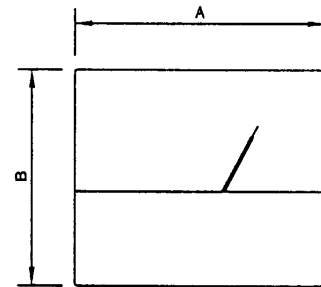
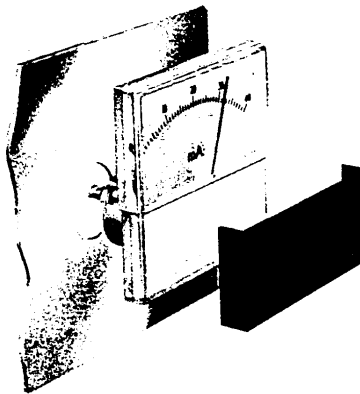
Meter barrel cut out 27.0mm/1.06"

Fixing studs M2.5x10.0mm/0.39"
(except type 19: M2)

Presentor Style M

For front of panel mounting with mask.

Types AL19M, AL29M, AL39M



Max panel thickness 6.0mm/0.24"

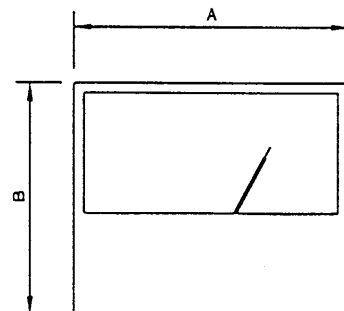
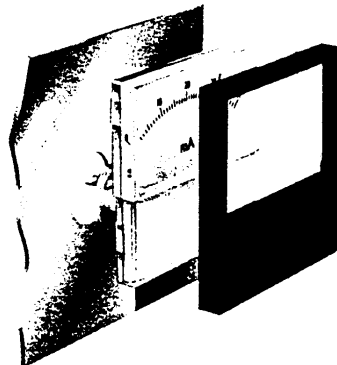
Meter barrel cut out 27.0mm/1.06"

Fixing studs M2.5x10.0mm/0.39"
(except type 19: M2)

Presentor Style B

For front of panel mounting with bezel.

Types AL19B, AL29B, AL39B



Max panel thickness 6.0mm/0.24"

Meter barrel cut out 27.0mm/1.06"

Fixing studs M2.5x10.0mm/0.39"
(except type 19: M2)

Specification

A low range ac voltmeter suitable for connecting across a 600 ohm line and self contained except for requiring an external 3.6k ohm resistor. Calibrated for use with a 3.6k ohm resistor 4vu above the scale marking so that the reference deflection (0 vu) is produced by a signal 4vu above 1mW in 600 ohms (1.228v).

The performance of the meter is based upon the requirements of BS 6840: Part 17:1991, IEC 268 - 17: 1990. The dynamic characteristics quoted, which requires the response time to 99% of reference deflection (0 vu) to be 0.3 seconds +/-10% with an overswing of at least 1.0% but not more than 1.5% are not fully met.

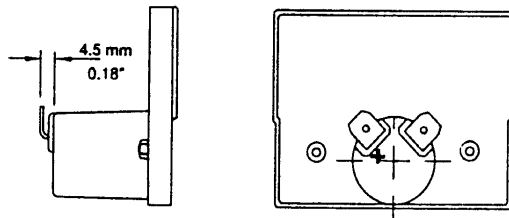
The overswing, because damping is not so tightly controlled but allowed to spread within normal design restraints, can vary between deadbeat to 5%. To specify the dynamic characteristics in terms of time to 99% of 0vu under such circumstances would give an unrepresentative measure of the speed of response. For this reason the time to reach -3vu with a steady reading of reference deflection (0vu) has been taken as a more realistic measure.

The following comparison can be made based on a rise time to -3vu with steady deflection of 0vu:

Conventional vu meter	0.13 - 0.15 seconds
AL19	0.14 - 0.18 seconds
AL29	0.16 - 0.20 seconds
AL39	0.17 - 0.21 seconds

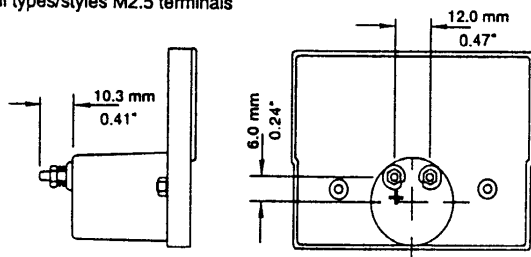
Terminals

Bent tags option



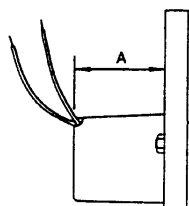
Screw terminals option

All types/styles M2.5 terminals



Flying leads option

Also available with reduced barrel depth - special order only



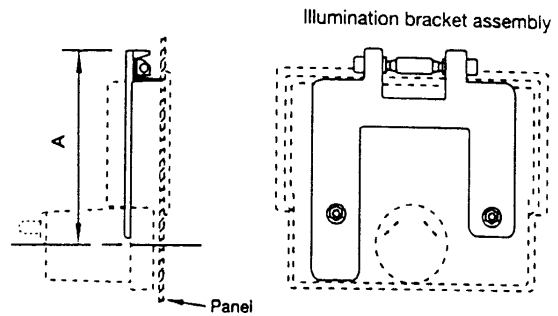
Type	Dimension A
AL19	29.2mm/1.15"
AL29	28.5mm/1.12"
AL39	28.2mm/1.11"

Illumination

This is available in either of the two forms shown below. Please contact the sales office for full information.

Overhead

Available for types 19W, 19WF, 29W, 29WF, 39W, 39WF. Unit contains 6mm festoon style lamp available in 6V, 12V, or 24V.

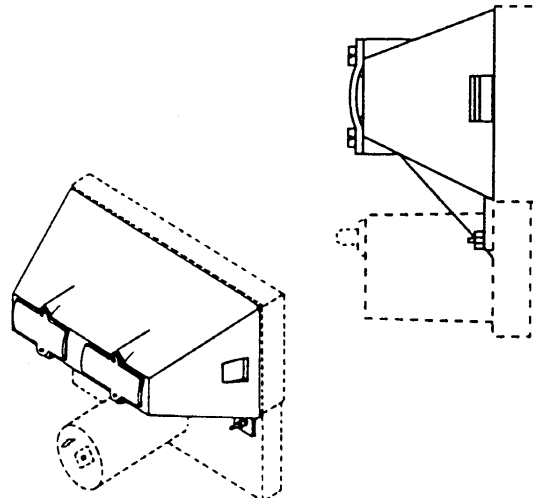


Type	Dimension A
AL19	33.5mm/1.33"
AL29	55.5mm/2.19"
AL39	68.5mm/2.69"

Lightbox

Available for all styles of types 29, 39. Rectangular panel cut-outs are required for styles M, B. Drawings are available on request. Unit is available with either festoon style or T1 3/4 flanged lamps available in 6V, 12V, 24V. (One lamp on type 29, two lamps on type 39).

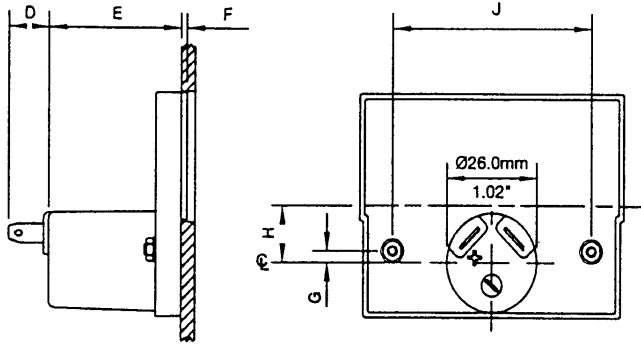
T1 3/4 flanged LEDs are also available in either 12V or 24V.



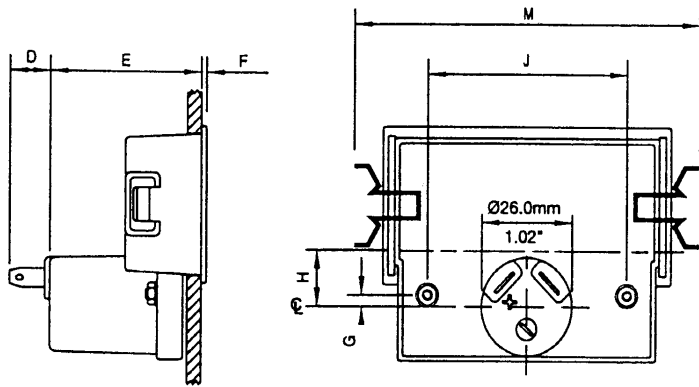
As part of our policy of continuous product improvement we reserve the right to change specifications at any time.

SIFAM LIMITED

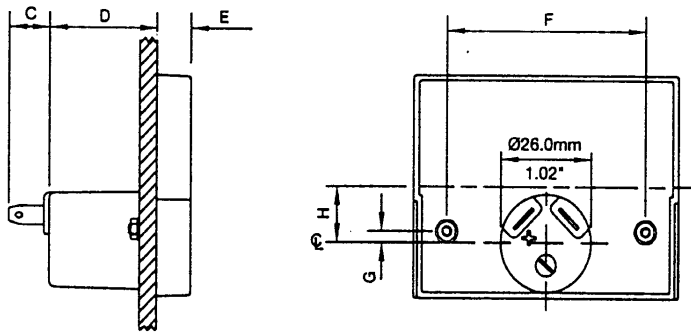
Woodland Road · Torquay · Devon · England · TQ2 7AY · Telephone (0803) 613822 · Fax (0803) 613926 · Telex 42864



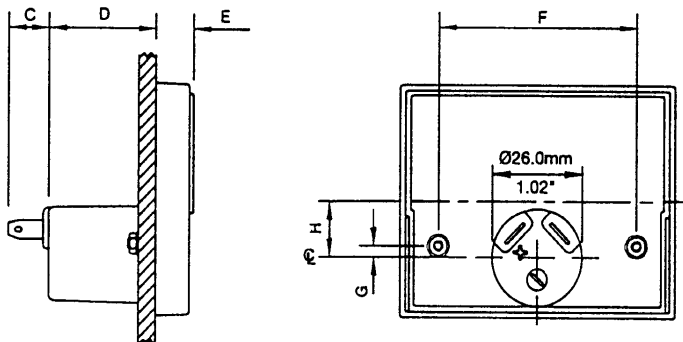
Dim	AL19W		AL29W		AL39W	
	mm	inches	mm	inches	mm	inches
A	43.9	1.73	76.1	3.00	94.0	3.70
B	19.9	0.78	31.9	1.25	40.0	1.57
C	37.9	1.49	58.8	2.31	72.4	2.85
D	11.5	0.45	11.5	0.45	11.5	0.45
E	37.2	1.47	40.5	1.59	39.2	1.54
F	1.5	0.06	1.8	0.07	2.0	0.08
G	7.0	0.28	3.0	0.12	8.0	0.31
H	4.7	0.19	15.0	0.59	20.9	0.82
J	32.0	1.26	55.0	2.17	67.0	2.64
K	20.2	0.80	32.3	1.27	40.5	1.59
L	42.4	1.67	73.7	2.90	91.5	3.60



Dim	AL19WF		AL29WF		AL39WF	
	mm	inches	mm	inches	mm	inches
A	49.2	1.94	82.8	3.26	101.0	3.98
B	27.0	1.06	41.6	1.64	50.5	1.99
C	40.6	1.60	62.2	2.45	76.1	2.99
D	11.5	0.45	11.5	0.45	11.5	0.45
E	40.8	1.61	42.9	1.69	43.4	1.71
F	1.5	0.06	1.5	0.06	1.6	0.06
G	7.0	0.28	3.0	0.12	8.0	0.31
H	6.1	0.24	16.7	0.66	22.7	0.89
J	32.0	1.26	55.0	2.17	67.0	2.64
K	24.0	0.95	37.0	1.46	46.0	1.81
L	47.0	1.85	80.0	3.15	98.0	3.86
M	65.0	2.56	98.0	3.86	116.0	4.57



Dim	AL19M		AL29M		AL39M	
	mm	inches	mm	inches	mm	inches
A	43.9	1.73	76.1	3.00	94.0	3.70
B	38.8	1.53	60.3	2.37	74.0	2.91
C	11.5	0.45	11.5	0.45	11.5	0.45
D	31.2	1.23	30.5	1.20	30.2	1.18
E	7.5	0.30	10.0	0.39	11.0	0.43
F	32.0	1.26	55.0	2.17	67.0	2.64
G	7.0	0.28	3.0	0.12	8.0	0.31
H	4.2	0.17	14.2	0.56	20.0	0.79



Dim	AL19B		AL29B		AL39B	
	mm	inches	mm	inches	mm	inches
A	46.0	1.81	79.5	3.13	97.5	3.84
B	40.0	1.57	61.9	2.44	76.4	3.01
C	11.5	0.45	11.5	0.45	11.5	0.45
D	31.2	1.23	30.5	1.20	30.2	1.18
E	7.2	0.28	9.6	0.38	10.5	0.41
F	32.0	1.26	55.0	2.17	67.0	2.64
G	7.0	0.28	3.0	0.12	8.0	0.31
H	4.8	0.19	15.0	0.59	20.8	0.82