

Type

1420

1425

Nominal Size

50mm

### PART NUMBERS

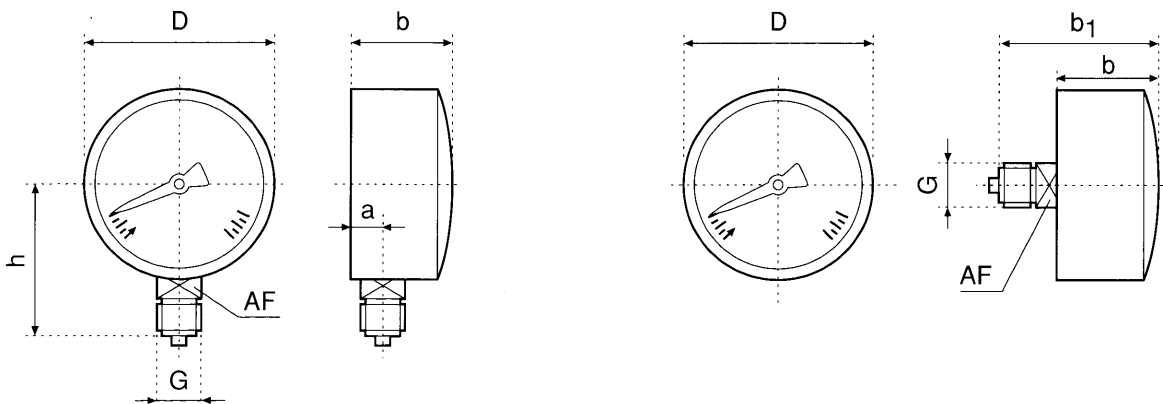
| Range (Bar) | 1420          | 1425          |
|-------------|---------------|---------------|
| -1 to 0     | <b>016001</b> | <b>016001</b> |
| -1 to 0.6   | 042901        | 042901        |
| -1 to 1.5   | <b>043001</b> | <b>043001</b> |
| -1 to 3     | <b>044001</b> | <b>044001</b> |
| -1 to 5     | <b>045001</b> | <b>045001</b> |
| -1 to 9     | 046901        | 046901        |
| -1 to 15    | 049901        | 049901        |
| 0 to 0.6    | <b>067001</b> | <b>067001</b> |
| 0 to 1      | <b>069001</b> | <b>069001</b> |
| 0 to 1.6    | <b>070001</b> | <b>070001</b> |
| 0 to 2.5    | <b>072001</b> | <b>072001</b> |
| 0 to 4      | <b>073001</b> | <b>073001</b> |
| 0 to 6      | <b>074001</b> | <b>074001</b> |
| 0 to 10     | <b>075001</b> | <b>075001</b> |
| 0 to 16     | <b>076001</b> | <b>076001</b> |
| 0 to 25     | <b>078001</b> | <b>078001</b> |
| 0 to 40     | <b>079001</b> | <b>079001</b> |
| 0 to 60     | <b>080001</b> | <b>080001</b> |
| 0 to 100    | <b>081001</b> | <b>081001</b> |
| 0 to 160    | <b>082001</b> | <b>082001</b> |
| 0 to 250    | <b>084001</b> | <b>084001</b> |
| 0 to 315    | <b>085001</b> | <b>085001</b> |
| 0 to 400    | <b>086001</b> | <b>086001</b> |

Please note that items in bold are available from stock

### TECHNICAL DATA

| Type                | 1420   | 1425  |
|---------------------|--|-------|
| Symbol              |  |       |
| Nominal size (mm)   | 50   |       |
| Accuracy class      | 2.5 to Din 16005                                       |       |
| Case                | Plastic, black (ABS)                                   |       |
| Window              | Plexiglass, convex, clipped on                         |       |
| Dial                | Plastic, white with stop pin, scale black to Din 16109 |       |
| Pointer             | Plastic, black   |       |
| Movement            | Cu Zn alloy (Brass)                                    |       |
| <b>Wetted parts</b> |  |       |
| Measuring element   | Cu alloy   |       |
| Pressure connection | Cu Zn alloy  |       |
| Connection thread   | G $\frac{1}{4}$ A (1/4" BSP)                           |       |
| Temperature ranges  |  |       |
| - media             | T max +60°C  |       |
| - ambient           | T min: -40°C to T max +60°C                            |       |
| Weight approx (Kg)  | 0.1  | 0.071 |

### DIMENSIONS



Type 1420

All dimensions in mm

| NG | a ± 0.5 | b ± 0.5 | D ± 0.5 | G                            | h ± 1 | AF |
|----|---------|---------|---------|------------------------------|-------|----|
| 50 | 10      | 27      | 51      | G $\frac{1}{4}$ A (1/4" BSP) | 45    | 14 |

Type 1425

| NG | b ± 0.5 | b1 ± 0.5 | D ± 0.5 | G                            | AF |
|----|---------|----------|---------|------------------------------|----|
| 50 | 26.5    | 47.5     | 49      | G $\frac{1}{4}$ A (1/4" BSP) | 14 |

Other options are available such as dual scal (Bar/psi), various bezel types and different connection threads.