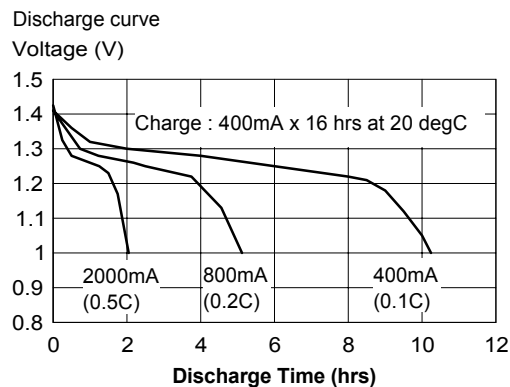


# GP Batteries

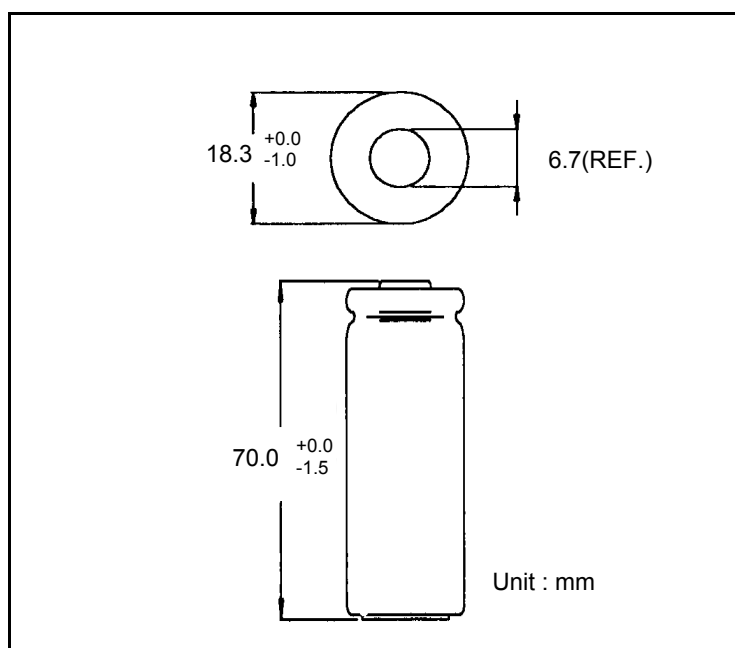
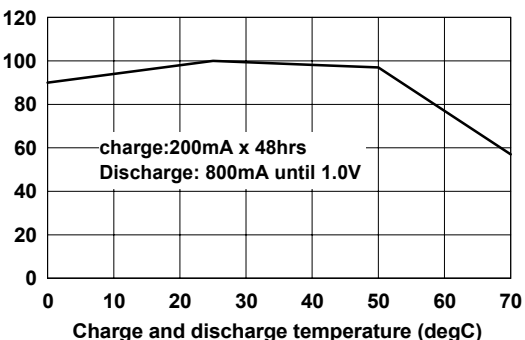
## Data Sheet

Model No.: GP400LAHT

Type	: High Temperature Rechargeable Nickel Metal Hydride Cylindrical Cell	
Nominal Dimension (with Sleeve)	: $\Phi = 18.3\text{mm}$ H = 70.0 mm	
Applications	: Recommended discharge current 400 to 2000mA	
Nominal Voltage	: 1.2V	
Nominal Capacity	: Minimum : 4000 mAh Typical : 4200mAh when discharge at 800mA to 1.0V at 20°C	
Charging Condition	: 400mA for 16 hrs at 20°C	
Service Life	: >350 cycles (IEC 61951-1)	
Continuous Overcharge	: Comply with IEC61951-1 Permanent Charge Endurance Test	
Weight	: 70.0g	
Internal Resistance	: Average 22m $\Omega$ upon fully charged (Range 19-25m $\Omega$ ) at 1000Hz	
Max. Charging Voltage	: 1.5V at 400mA charging	
Ambient Temperature Range	Charging	: 0 to 70°C
	Discharging	: -20 to 70°C
	Storage	: -20 to 35°C
	Storage (1 week)	: -20 to 60 °C



Charge / discharge efficiency vs. temperature  
Available Capacity (%)



\* The information (subject to change without prior notice) contained in this document is for reference only and should not be used as a basis for product guarantee or warranty. For applications other than those described here, please consult your nearest GP Sales and Marketing Office or Distributors.