



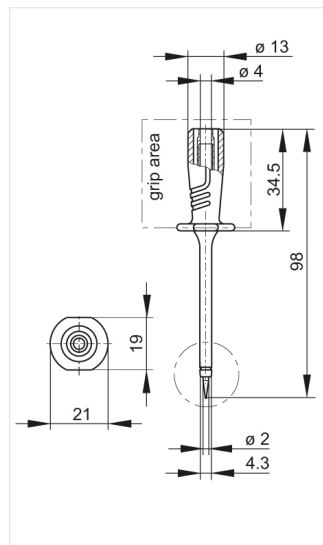
## PRUEF 2600 schwarz/black

Industrial Connectors:Measuring and Testing Equipment:Test probes:4 mm safety system

### Product description

Description	Test probe with elastic, shatter-proof insulating sleeve and slender stainless steel tip. Tip for penetration of insulation and oxide layers. 4 mm diameter brass socket connection. Connects with safety measuring leads. Accessory tip: protector and IC tap SS 260.
Type	PRUEF 2600 schwarz/black
Order No.	972 317-100
System	4 mm safety system
Housing Color	black
Other standard types	red color, order no. 972 317-101

### Drawing



### Technical data

Pin dimensions	4 mm
Type of contact	pin (spring-loaded)
Type of termination	4 mm socket
Standard	IEC 61010
Rated voltage	AC/DC 1000 V
Measurement Category	CAT III
Contact resistance	50 mOhm
Certificates	CE

### Material

Contact material	stainless steel
Contact surface material	nickel-plated
Housing material	PP

### Environmental conditions

Temperature range	-25 °C to +80 °C
-------------------	------------------

### Inflammability class

