



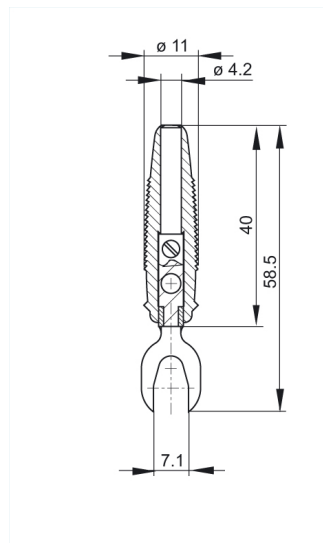
KB 2 rot/red

Industrial Connectors:Measuring and Testing Equipment:Plugs:4 mm system

Product description

Description	Cable lug with shatter-proof, flexible insulated sleeve with 4 mm diameter transverse hole. Screw connection up to a maximum of 2.5 mm ² . For connection to bolts from 4 mm to 7 mm diameter. Nickel-plated brass contact material.
Type	KB 2 rot/red
Order No.	930 584 - 101
System	4 mm system
Housing Color	red
Other standard types	black color, order no. 930 584-100

Drawing



Technical data

Pin dimensions	4 mm
Type of contact	clip
Type of termination	screw
Rated voltage	DC 60 V
Rated current	30 A
Contact resistance	1 mOhm

Material

Contact material	brass
Contact surface material	nickel-plated
Housing material	PVC-P

Environmental conditions

Temperature range	-25 °C to +70 °C
-------------------	------------------

Inflammability class

Housing	94 V-2
---------	--------