

## 24-Bit, 192 kHz 2-In 6-Out Audio CODEC

### D/A Features

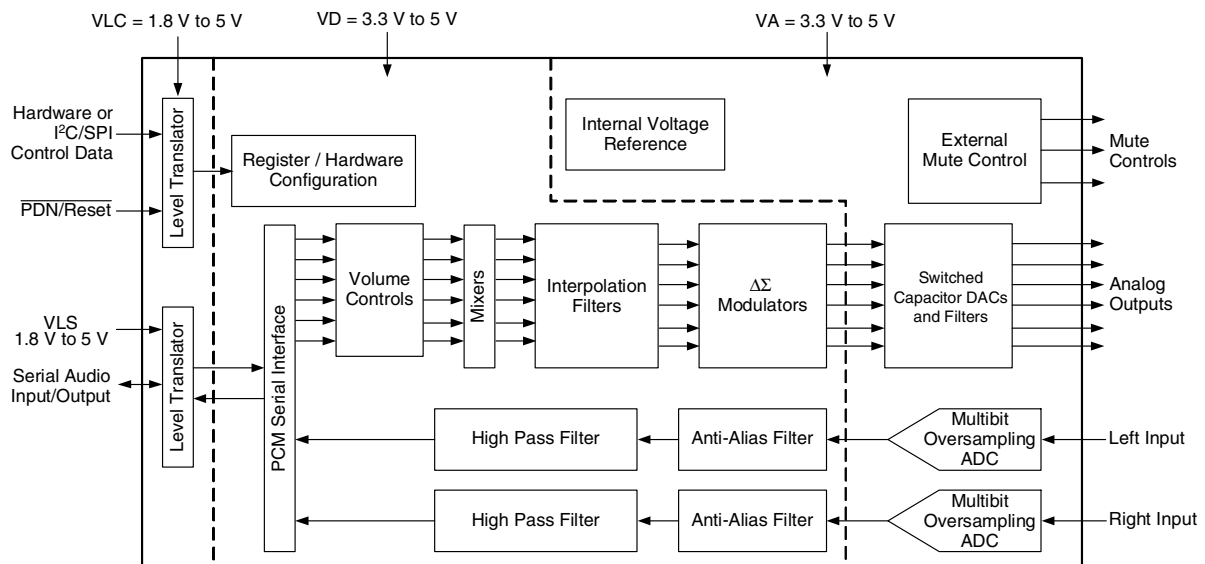
- 24-Bit Conversion
- 102 dB Dynamic Range at 5 V
- -91 dB THD+N
- Digital Volume Control with Soft Ramp
  - 119 dB Attenuation
  - 1 dB Step Size
  - Zero Crossing Click-Free Transitions
- I<sup>2</sup>C & SPI™ Host Control Port
- ATAPI Mixing
- Low Clock Jitter Sensitivity
- Popguard Technology® for Control of Clicks and Pops

### A/D Features

- 24-Bit Conversion
- 105 dB Dynamic Range at 5 V
- -98 dB THD+N
- Advanced Multi-Bit Delta-Sigma Architecture
- High Pass Filter to Remove DC Offsets
- Auto-Mode Selection

### System Features

- Direct interface with 5 V to 1.8 V logic levels
- Supports Independent, Synchronous ADC/DAC Sample Rates
- Operation as Clock Master or Slave
- Supports all Audio Sample Rates Including 192 kHz
- Single-Ended Inputs/Outputs
- Analog/Digital Core Supplies From 3.3 V to 5 V



*Preliminary Product Information*

This document contains information for a new product. Cirrus Logic reserves the right to modify this product without notice.

## Stand Alone Mode Feature Set

- System features
  - ADC serial audio port master or slave operation
  - Independent ADC and DAC reset/power-down
  - 256x or 384x MCLK/LRCK ratio selectable
- D/A features
  - Auto-mute on static samples
  - 44.1 kHz 50/15  $\mu$ s de-emphasis available
  - Selectable serial audio interface formats
    - ◆ Left justified up to 24-bit data
    - ◆ I<sup>2</sup>S up to 24-bit data
    - ◆ Right justified, 16-bit data
    - ◆ Right justified, 24-bit data
- A/D features
  - Serial audio port master or slave operation
  - Auto-mode select in slave mode
  - High-pass filter
  - Selectable serial audio interface formats
    - ◆ Left justified up to 24-bit
    - ◆ I<sup>2</sup>S up to 24-bit data

## Control Port Mode Feature Set

- D/A features
  - Selectable auto-mute
  - Selectable 32, 44.1, and 48 kHz de-emphasis filters
  - Configurable ATAPI mixing functions
  - Configurable volume and muting controls
  - Selectable serial audio interface formats
    - ◆ Left justified up to 24-bit
    - ◆ I<sup>2</sup>S up to 24-bit
    - ◆ Right justified 16, 18, 20, and 24-bit

## General Description

The CS42406 is a low cost, integrated audio CO-DEC. The CS42406 performs stereo analog-to-digital (A/D) conversion and six channels of digital-to-analog (D/A) conversion of up to 24-bit serial values at sample rates up to 200 kHz.

The D/A offers a volume control that operates with a 1 dB step size. It incorporates selectable soft ramp and zero crossing transition functions to eliminate clicks and pops.

The D/A's integrated digital mixing functions allow a variety of output configurations ranging from a channel swap to a stereo-to-mono down-mix.

Standard 50/15  $\mu$ s de-emphasis is available for sampling rates of 32, 44.1, and 48 kHz for compatibility with digital audio programs mastered using the 50/15  $\mu$ s pre-emphasis technique.

Integrated level translators allow easy interfacing between the CS42406 and other devices operating over a wide range of logic levels.

High-pass filters are available for the right and left channel of the A/D. This allows the A/D to remove unwanted DC offsets.

The CS42406's wide dynamic range, negligible distortion, and low noise make it ideal for applications such as A/V receivers, DVD receivers, and set-top box systems.

## ORDERING INFORMATION

CS42406-CQZ	-10° to 70° C	48-pin LQFP
CDB42406	Evaluation Board	

**TABLE OF CONTENTS**

<b>1. PIN DESCRIPTION .....</b>	<b>6</b>
<b>2 CHARACTERISTICS AND SPECIFICATIONS .....</b>	<b>8</b>
SPECIFIED OPERATING CONDITIONS .....	8
ABSOLUTE MAXIMUM RATINGS .....	8
DAC ANALOG CHARACTERISTICS (CS42406-CQZ) .....	9
DAC FILTER RESPONSE .....	11
ADC ANALOG CHARACTERISTICS (CS42406-CQZ) .....	14
ADC DIGITAL FILTER RESPONSE .....	16
DC ELECTRICAL CHARACTERISTICS .....	19
DIGITAL CHARACTERISTICS .....	20
SWITCHING CHARACTERISTICS - DAC SERIAL AUDIO PORT .....	21
SWITCHING CHARACTERISTICS - ADC SERIAL AUDIO PORT .....	23
SWITCHING SPECIFICATIONS - CONTROL PORT INTERFACE .....	27
<b>3. TYPICAL CONNECTION DIAGRAM .....</b>	<b>29</b>
<b>4. APPLICATIONS .....</b>	<b>30</b>
4.1 Single, Double, and Quad-Speed Modes .....	30
4.1.1 ADC Serial Port .....	30
4.1.2 DAC Serial Port .....	30
4.1.2a Stand Alone Mode .....	30
4.1.2b Control Port Mode .....	31
4.2 ADC Serial Port Operation as Either a Clock Master or Slave .....	31
4.2.1 Operation as a Clock Master .....	31
4.2.2 Operation as a Clock Slave .....	32
4.3 Digital Interface Format .....	32
4.3.1 DAC Serial Port .....	32
4.3.1a Stand Alone Mode .....	33
4.3.1b Control Port Mode .....	33
4.3.2 ADC Serial Port .....	33
4.4 De-Emphasis Control .....	33
4.4.1 Stand Alone Mode .....	33
4.4.2 Control Port Mode .....	33
4.5 Analog Connections .....	34
4.5.1 Capacitor Size on the Reference Pin (FILT+) .....	34
4.6 Recommended Power-up Sequence .....	35
4.6.1 Stand Alone Mode .....	35
4.6.2 Control Port Mode .....	35
4.7 Popguard® Transient Control .....	35
4.7.1 Power-up .....	35
4.7.2 Power-down .....	35
4.7.3 Discharge Time .....	35
4.8 Mute Control .....	36
4.9 Grounding and Power Supply Arrangements .....	36
4.9.1 Capacitor Placement .....	36
4.10 Control Port Interface .....	36
4.10.1 Memory Address Pointer (MAP) .....	36
4.10.1a INCR (Auto Map Increment) .....	37
4.10.1b MAP0-3 (Memory Address Pointer) .....	37
4.10.2 I <sup>2</sup> C Mode .....	37
4.10.2a I <sup>2</sup> C Write .....	37
4.10.2b I <sup>2</sup> C Read .....	37

4.10.3 SPI Mode .....	38
4.10.3a SPI Write .....	38
<b>5. REGISTER QUICK REFERENCE .....</b>	<b>40</b>
<b>6. REGISTER DESCRIPTIONS .....</b>	<b>41</b>
6.1 Mode Control 1 (address 01h) .....	41
6.2 Invert Signal (address 02h).....	42
6.3 Mixing Control Pair 1 (Channels A1 & B1) (address 03h)	
Mixing Control Pair 2 (Channels A2 & B2) (address 04h)	
Mixing Control Pair 3 (Channels A3 & B3) (address 05h).....	42
6.4 Volume Control (addresses 06h - 0Bh) .....	44
6.5 Mode Control 2 (address 0Ch).....	44
<b>7 PARAMETER DEFINITIONS .....</b>	<b>47</b>
<b>8. PACKAGE DIMENSIONS .....</b>	<b>48</b>
<b>9. REVISION HISTORY .....</b>	<b>49</b>

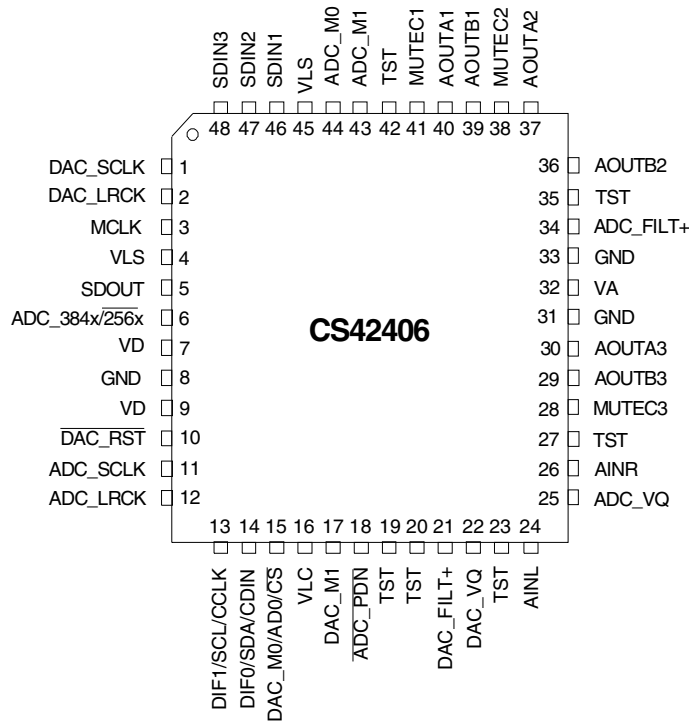
**LIST OF FIGURES**

Figure 1. Output Test Load .....	10
Figure 2. Maximum Loading .....	10
Figure 3. Single-Speed Stopband Rejection .....	12
Figure 4. Single-Speed Transition Band .....	12
Figure 5. Single-Speed Transition Band (Detail) .....	12
Figure 6. Single-Speed Passband Ripple .....	12
Figure 7. Double-Speed Stopband Rejection .....	12
Figure 8. Double-Speed Transition Band .....	12
Figure 9. Double-Speed Transition Band (Detail) .....	12
Figure 10. Double-Speed Passband Ripple .....	12
Figure 11. Single-Speed Mode Stopband Rejection .....	16
Figure 12. Single-Speed Mode Stopband Rejection .....	16
Figure 13. Single-Speed Mode Transition Band (Detail) .....	16
Figure 14. Single-Speed Mode Passband Ripple .....	16
Figure 15. Double-Speed Mode Stopband Rejection .....	16
Figure 16. Double-Speed Mode Stopband Rejection .....	16
Figure 17. Double-Speed Mode Transition Band (Detail) .....	17
Figure 18. Double-Speed Mode Passband Ripple .....	17
Figure 19. Quad-Speed Mode Stopband Rejection .....	17
Figure 20. Quad-Speed Mode Stopband Rejection .....	17
Figure 21. Quad-Speed Mode Transition Band (Detail) .....	17
Figure 22. Quad-Speed Mode Passband Ripple .....	17
Figure 23. DAC Serial Audio Port .....	21
Figure 24. Master Mode, Left Justified SAI .....	24
Figure 25. Slave Mode, Left Justified SAI .....	24
Figure 26. Master Mode, I <sup>2</sup> S SAI .....	24
Figure 27. Slave Mode, I <sup>2</sup> S SAI .....	24
Figure 28. Left Justified up to 24-Bit Data .....	25
Figure 29. I <sup>2</sup> S, up to 24-Bit Data .....	25
Figure 30. Right Justified Data .....	25
Figure 31. Control Port Timing - I <sup>2</sup> C Mode .....	26
Figure 32. Control Port Timing - SPI Mode .....	27
Figure 33. Typical Connection Diagram .....	28

Figure 34. ADC Serial Port, Master Mode Clocking .....	31
Figure 35. De-Emphasis Curve .....	32
Figure 36. CS42406 Recommended Analog Input Buffer .....	33
Figure 37. CS42406 ADC: THD+N versus Frequency .....	33
Figure 38. I <sup>2</sup> C Write .....	36
Figure 39. I <sup>2</sup> C Read .....	37
Figure 40. SPI Write .....	37
Figure 41. ATAPI Block Diagram .....	41

**LIST OF TABLES**

Table 1. ADC Speed Modes and the Associated Output Sample Rates (Fs) for 256x Mode .....	29
Table 2. ADC Speed Modes and the Associated Output Sample Rates (Fs) for 384x Mode .....	29
Table 3. CS42406 Stand Alone DAC Operational Modes .....	30
Table 4. CS42406 Control Port DAC Operational Modes .....	30
Table 5. CS42406 ADC Serial Port Mode Control .....	30
Table 6. DAC Digital Interface Format - Stand Alone Mode.....	32
Table 7. Digital Interface Formats - Control Port Mode.....	39
Table 8. ATAPI Decode.....	41
Table 9. Example Digital Volume Settings .....	42
Table 10. Revision History .....	47

**1. PIN DESCRIPTION**


Pin Name	#	Pin Description
DAC_SCLK	1	<b>DAC Serial Clock (Input)</b> - Serial clock for the DAC serial audio interface.
DAC_LRCK	2	<b>DAC Left Right Clock (Input)</b> - Determines which channel, Left or Right, is currently active on the DAC serial audio data line.
MCLK	3	<b>Master Clock (Input)</b> - Clock source for the delta-sigma modulators and digital filters.
VLS	4 45	<b>Serial Audio Interface Power (Input)</b> - Positive power for the serial audio interface.
SDOUT	5	<b>Serial Audio Data Output (Output)</b> - Output for two's complement serial audio data.
ADC_384x/256x	6	<b>ADC MCLK/LRCK Ratio Select (Input)</b> - Selects the base MCLK/LRCK ratio for the ADC serial port.
VD	7 9	<b>Digital Power (Input)</b> - Positive power supply for the digital section.
GND	8 31 33	<b>Ground (Input)</b>
RST_DAC	10	<b>DAC Reset (Input)</b> - Powers down the DAC and resets all internal registers to their default settings.
ADC_SCLK	11	<b>ADC Serial Clock (Input/Output)</b> - Serial clock for the ADC serial audio interface.
ADC_LRCK	12	<b>ADC Left Right Clock (Input/Output)</b> - Determines which channel, Left or Right, is currently active on the ADC serial audio data line.
VLC	16	<b>Control Port Interface Power (Input)</b> - Positive power for the control port interface.
ADC_PDN	18	<b>ADC Power-Down (Input)</b> - The ADC enters a low power mode when low.
TST	19,20 23,27 35,42	<b>Test Pin (Input)</b> - Connect to GND.

<b>DAC_FILT+</b>	21	<b>Positive Voltage Reference (Output)</b> - Positive reference voltage for the internal sampling circuits.
<b>DAC_VQ</b>	22	<b>Quiescent Voltage (Output)</b> - Filter connection for internal quiescent voltage.
<b>AINL</b>	24	<b>Analog Inputs (Input)</b> - The full scale analog input level is specified in the “ADC Analog Characteristics (CS42406-CQZ)” on page 14.
<b>AINR</b>	26	
<b>ADC_VQ</b>	25	<b>Quiescent Voltage (Output)</b> - Filter connection for internal quiescent voltage.
<b>AOUTB3</b>	29	<b>Analog Outputs (Output)</b> - The full scale analog line output level is specified in the “DAC Analog Characteristics (CS42406-CQZ)” on page 9.
<b>AOUTA3</b>	30	
<b>AOUTB2</b>	36	
<b>AOUTA2</b>	37	
<b>AOUTB1</b>	39	
<b>AOUTA1</b>	40	
<b>MUTE3</b>	28	
<b>MUTE2</b>	38	
<b>MUTE1</b>	41	
<b>VA</b>	32	<b>Analog Power (Input)</b> - Positive power supply for the analog section.
<b>ADC_FILT+</b>	34	<b>Positive Voltage Reference (Output)</b> - Positive reference voltage for the internal sampling circuits.
<b>ADC_M1</b>	43	<b>ADC Mode Selection (Input)</b> - Determines the operational speed mode of the ADC.
<b>ADC_M0</b>	44	
<b>SDIN1</b>	46	<b>Serial Audio Data Input (Input)</b> - Input for two’s complement serial audio data.
<b>SDIN2</b>	47	
<b>SDIN3</b>	48	
<b>DAC Control Port Definitions</b>		
<b>SCL/CCLK</b>	13	<b>Serial Control Port Clock (Input)</b> - Serial clock for the control port interface.
<b>SDA/CDIN</b>	14	<b>Serial Control Data I/O (Input/Output)</b> - Input/Output for I <sup>2</sup> C data. Input for SPI data.
<b>AD0/CS</b>	15	<b>Address Bit / Chip Select (Input)</b> - Chip address bit in I <sup>2</sup> C Mode. Control signal used to select the chip in SPI mode.
<b>DAC Stand Alone Definitions</b>		
<b>DIF1</b>	13	<b>Digital Interface Format (Input)</b> - Defines the required relationship between the Left Right Clock, Serial Clock and Serial Audio Data for the DAC.
<b>DIF0</b>	14	
<b>DAC_M0</b>	15	<b>Mode Selection (Input)</b> - Determines the operational speed mode of the DAC.
<b>DAC_M1</b>	17	

## 2 CHARACTERISTICS AND SPECIFICATIONS

(All Min/Max characteristics and specifications are guaranteed over the Specified Operating Conditions. Typical performance characteristics and specifications are derived from measurements taken at typical supply voltages and  $T_A = 25^\circ\text{C}$ .)

### SPECIFIED OPERATING CONDITIONS

(GND = 0 V, all voltages with respect to 0 V.)

Parameter	Symbol	Min	Typ	Max	Unit
Power Supplies	Analog (Note 3)	VA	3.1	(Note 1) 5.25	V
	Digital (Note 2, 3)	VD	3.1	3.3 5.25	V
	Logic/Serial Interface (Note 4)	VLS	1.7	3.3 5.25	V
	Control Port Interface	VLC	1.7	3.3 5.25	V
<b>Ambient Temperature</b>					
Commercial	-CQZ	$T_A$	-10	-	+70 °C

- Notes:
1. This part is specified at typical analog voltages of 3.3 V and 5.0 V. See *DAC Analog Characteristics (CS42406-CQZ)* and *ADC Analog Characteristics (CS42406-CQZ)* for details.
  2. Nominal VD supply must be less than or equal to the nominal VA supply.
  3. In 384x Mode for the ADC, Quad-Speed Slave Mode operation is limited to a nominal VA and VD of 5 V.
  4. In 384x Mode for the ADC, Double-Speed & Quad-Speed Mode operation is limited to a minimum VL of 2.5 V

### ABSOLUTE MAXIMUM RATINGS

(GND = 0 V, All voltages with respect to ground.) (Note 7)

Parameter	Symbol	Min	Max	Units
DC Power Supplies:	Analog	VA	-0.3	+6.0 V
	Digital	VD	-0.3	+6.0 V
	Serial Audio Interface (SAI)	VLS	-0.3	+6.0 V
	Control Port Interface	VLC	-0.3	+6.0 V
Input Current	(Note 5)	$I_{in}$	-	$\pm 10$ mA
Analog Input Voltage	(Note 6)	$V_{IN}$	GND-0.7	VA+0.7 V
Digital Input Voltage (Note 6)	Serial Audio Data Interface	$V_{IND\_S}$	-0.3	VLS+0.4 V
	Control Port Interface	$V_{IND\_S}$	-0.3	VLC+0.4 V
Ambient Operating Temperature (Power Applied)	$T_A$	-50	+95	°C
Storage Temperature	$T_{stg}$	-65	+150	°C

- Notes:
5. Any pin except supplies. Transient currents of up to  $\pm 100$  mA on the analog input pins will not cause SRC latch-up.
  6. The maximum over/under voltage is limited by the input current.
  7. Operation beyond these limits may result in permanent damage to the device. Normal operation is not guaranteed at these extremes.



**DAC ANALOG CHARACTERISTICS (CS42406-CQZ)** Test conditions (unless otherwise specified): Input test signal is a 997 Hz sine wave at 0 dBFS; measurement bandwidth is 10 Hz to 20 kHz; test load  $R_L = 10\text{ k}\Omega$ ,  $C_L = 10\text{ pF}$  (see Figure 1).

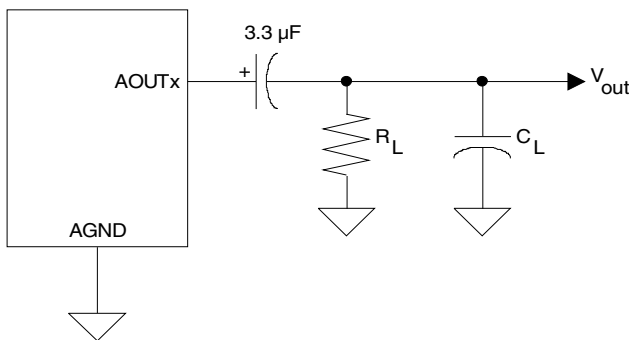
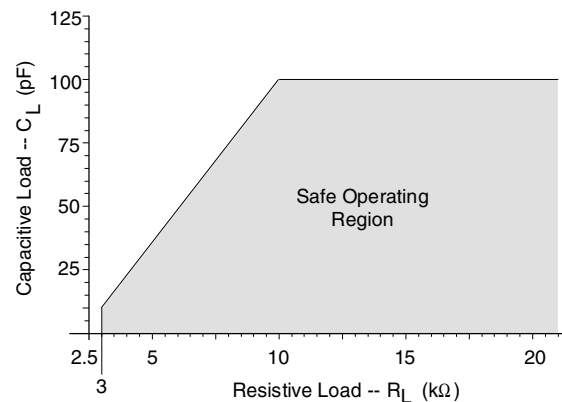
Parameter		VA = 5.0 V			VA = 3.3 V			Unit
		Min	Typ	Max	Min	Typ	Max	
<b>Single-Speed Mode</b>		<b>Fs = 48 kHz</b>						
Dynamic Range	(Note 8) unweighted	93	99	-	88	94	-	dB
	A-Weighted	96	102	-	91	97	-	dB
Total Harmonic Distortion + Noise	(Note 8) 0 dB	-	-91	-85	-	-91	-85	dB
	-20 dB	-	-79	-	-	-74	-	dB
	-60 dB	-	-39	-	-	-34	-	dB
<b>Double-Speed Mode</b>		<b>Fs = 96 kHz</b>						
Dynamic Range	(Note 8) unweighted	93	99	-	88	94	-	dB
	A-Weighted	96	102	-	91	97	-	dB
40 kHz Bandwidth	A-Weighted	-	100	-	-	97	-	dB
Total Harmonic Distortion + Noise	(Note 8) 0 dB	-	-91	-85	-	-91	-85	dB
	-20 dB	-	-79	-	-	-74	-	dB
	-60 dB	-	-39	-	-	-34	-	dB
<b>Quad-Speed Mode</b>		<b>Fs = 192 kHz</b>						
Dynamic Range	(Note 8) unweighted	93	99	-	88	94	-	dB
	A-Weighted	96	102	-	91	97	-	dB
40 kHz Bandwidth	A-Weighted	-	100	-	-	97	-	dB
Total Harmonic Distortion + Noise	(Note 8) 0 dB	-	-91	-85	-	-91	-85	dB
	-20 dB	-	-79	-	-	-74	-	dB
	-60 dB	-	-39	-	-	-34	-	dB

Notes: 8. One-half LSB of triangular PDF dither is added to data.

**DAC ANALOG CHARACTERISTICS (CS42406-CQZ) (Continued)**

Parameters	Symbol	Min	Typ	Max	Units
<b>Dynamic Performance for All Modes</b>					
Interchannel Isolation (1 kHz)		-	102	-	dB
<b>DC Accuracy</b>					
Interchannel Gain Mismatch	ICGM	-	0.1	-	dB
Gain Drift		-	±100	-	ppm/°C
<b>Analog Output Characteristics and Specifications</b>					
Full Scale Output Voltage		0.60•VA	0.66•VA	0.72•VA	V <sub>pp</sub>
Output Impedance	Z <sub>out</sub>	-	100	-	Ω
Minimum AC-Load Resistance (Note 7)	R <sub>L</sub>	-	3	-	kΩ
Maximum Load Capacitance (Note 7)	C <sub>L</sub>	-	100	-	pF

9. See Figure 1-2. R<sub>L</sub> and C<sub>L</sub> reflect the recommended minimum resistance and maximum capacitance required for the internal op-amp's stability and signal integrity. In this circuit topology, C<sub>L</sub> will effectively move the dominant pole of the two-pole amp in the output stage. Increasing this value beyond the recommended 100 pF can cause the internal op-amp to become unstable.

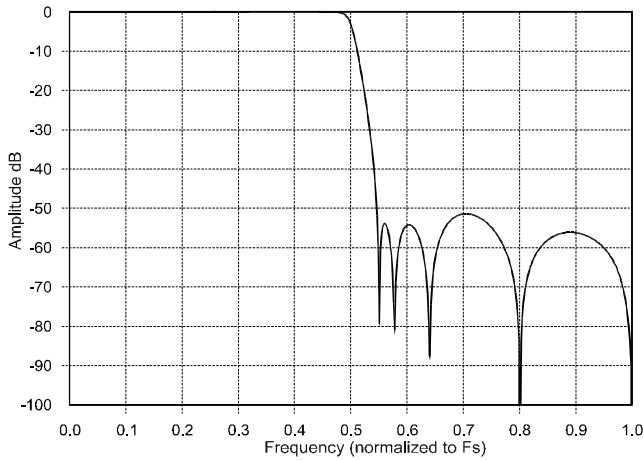
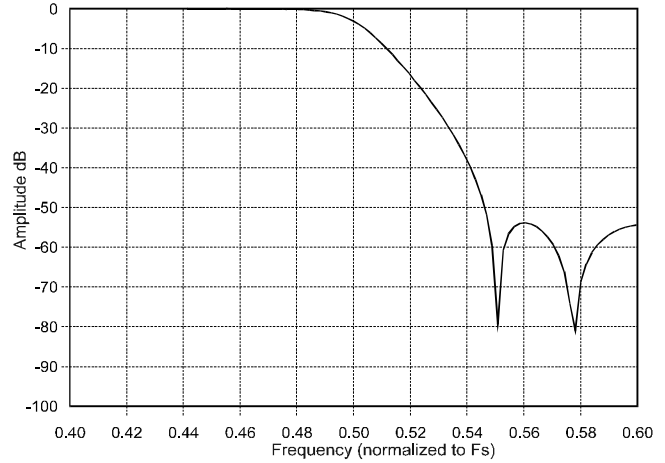
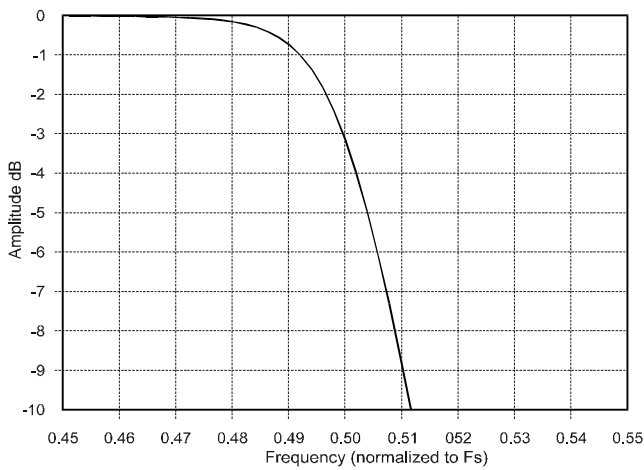
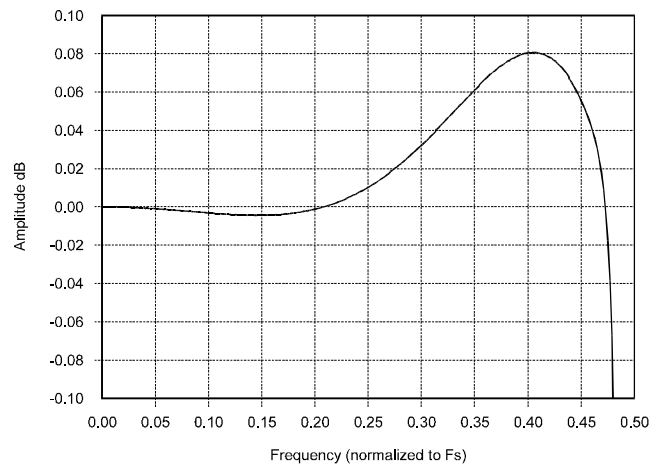
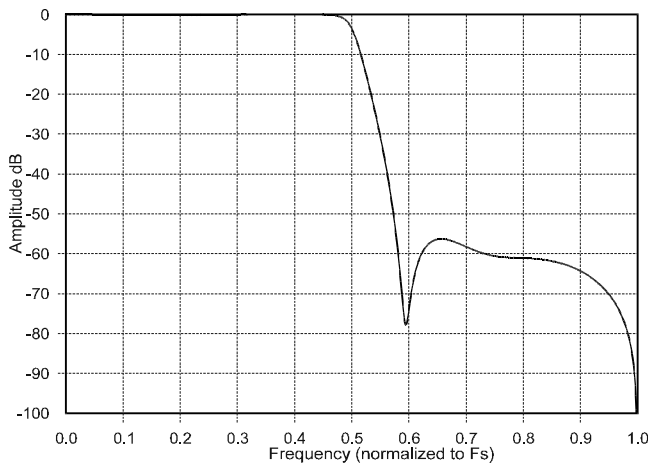
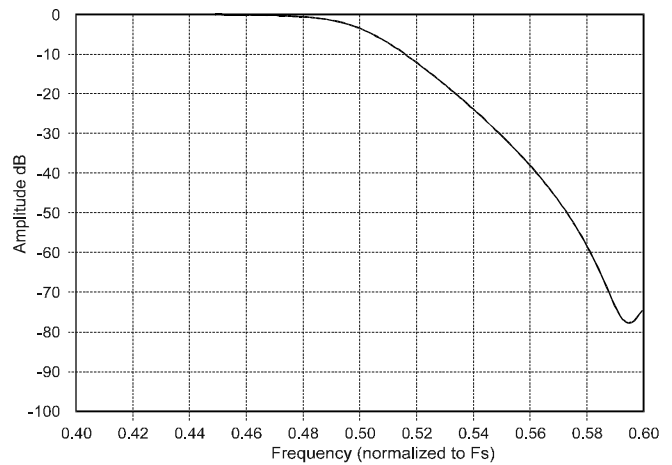

**Figure 1. Output Test Load**

**Figure 2. Maximum Loading**

**DAC FILTER RESPONSE** The filter characteristics and the X-axis of the response plots have been normalized to the input sample rate ( $F_s$ ) and can be referenced to the desired sample rate by multiplying the given characteristic by  $F_s$ .

Parameter	Min	Typ	Max	Unit	
<b>Single-Speed Mode - (4 kHz to 50 kHz sample rates)</b>					
Passband	to -0.05 dB corner	0	-	0.4535	$F_s$
	to -3 dB corner	0	-	0.4998	$F_s$
Passband Ripple	-0.02	-	+0.035	dB	
StopBand	0.5465	-	-	$F_s$	
StopBand Attenuation (Note 10)	50	-	-	dB	
Group Delay	-	$9/F_s$	-	s	
De-emphasis Error (Relative to 1 kHz) <i>Control Port Mode</i>	(Note 11) $F_s = 32$ kHz	-	-	+0.2/-0.1	dB
	$F_s = 44.1$ kHz	-	-	+0.05/-0.14	dB
	$F_s = 48$ kHz	-	-	+0/-0.22	dB
<i>Stand-Alone Mode</i>	$F_s = 32$ kHz	-	-	+1.5/-0	dB
	$F_s = 44.1$ kHz	-	-	+0.05/-0.14	dB
	$F_s = 48$ kHz	-	-	+0.2/-0.4	dB
<b>Double-Speed Mode - (50 kHz to 100 kHz sample rates)</b>					
Passband	to -0.1 dB corner	0	-	0.4621	$F_s$
	to -3 dB corner	0	-	0.4982	$F_s$
Passband Ripple	-0.1	-	0	dB	
StopBand	0.577	-	-	$F_s$	
StopBand Attenuation (Note 10)	55	-	-	dB	
Group Delay	-	$4/F_s$	-	s	
<b>Quad-Speed Mode - (100 kHz to 200 kHz sample rates)</b>					
Passband	to -3 dB corner	0	-	0.25	$F_s$
Passband Ripple	-0.7	-	0	dB	
Group Delay	-	$1.5/F_s$	-	s	

Notes: 10. For Single-Speed Mode, the measurement bandwidth is  $0.5465 F_s$  to  $3 F_s$ .  
For Double-Speed Mode, the measurement bandwidth is  $0.577 F_s$  to  $1.4 F_s$ .

11. De-emphasis is only available in Single-Speed Mode.


**Figure 3. Single-Speed Stopband Rejection**

**Figure 4. Single-Speed Transition Band**

**Figure 5. Single-Speed Transition Band (Detail)**

**Figure 6. Single-Speed Passband Ripple**

**Figure 7. Double-Speed Stopband Rejection**

**Figure 8. Double-Speed Transition Band**

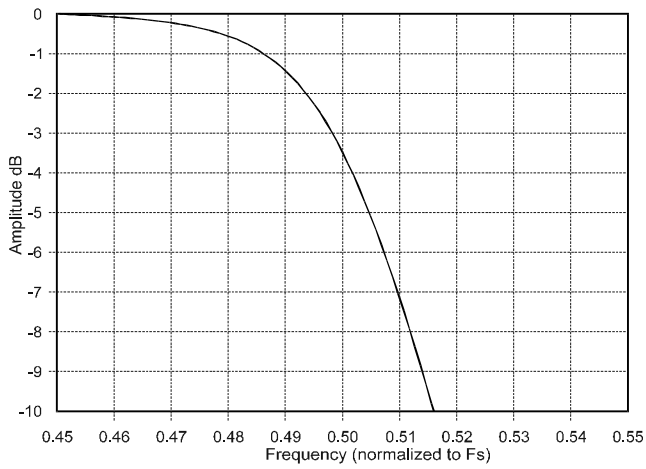


Figure 9. Double-Speed Transition Band (Detail)

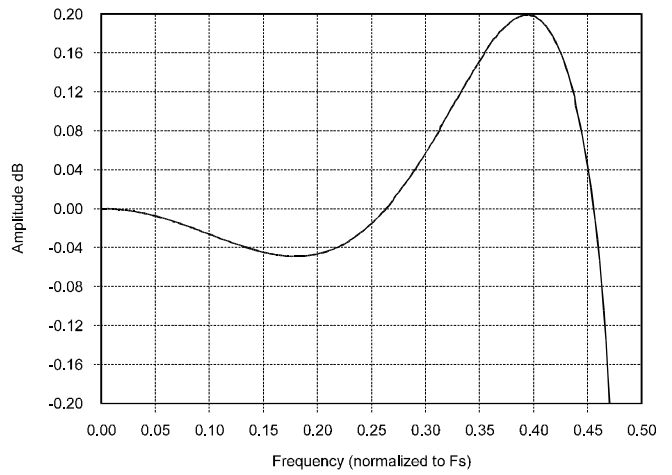


Figure 10. Double-Speed Passband Ripple

**ADC ANALOG CHARACTERISTICS (CS42406-CQZ)** Test conditions (unless otherwise specified): Input test signal is a 1 kHz sine wave; measurement bandwidth is 10 Hz to 20 kHz.

Parameter		VA = 5.0 V			VA = 3.3 V			Unit
		Min	Typ	Max	Min	Typ	Max	
<b>Single-Speed Mode</b>		<b>Fs = 48 kHz</b>						
Dynamic Range	unweighted	96	102	-	93	99	-	dB
	A-Weighted	99	105	-	96	102	-	dB
Total Harmonic Distortion + Noise	(Note 12)							
	-1 dB	-	-98	-92	-	-95	-89	dB
	-20 dB	-	-82	-	-	-79	-	dB
	-60 dB	-	-42	-	-	-39	-	dB
<b>Double-Speed Mode</b>		<b>Fs = 96 kHz</b>						
Dynamic Range	unweighted	96	102	-	93	99	-	dB
	A-Weighted	99	105	-	96	102	-	dB
40 kHz Bandwidth	unweighted	-	99	-	-	96	-	dB
Total Harmonic Distortion + Noise	(Note 12)							
	-1 dB	-	-98	-92	-	-95	-89	dB
	-20 dB	-	-82	-	-	-79	-	dB
	-60 dB	-	-42	-	-	-39	-	dB
<b>Quad-Speed Mode</b>		<b>Fs = 192 kHz</b>						
Dynamic Range	unweighted	96	102	-	93	99	-	dB
	A-Weighted	99	105	-	96	102	-	dB
40 kHz Bandwidth	unweighted	-	99	-	-	96	-	dB
Total Harmonic Distortion + Noise	(Note 12)							
	-1 dB	-	-98	-92	-	-95	-89	dB
	-20 dB	-	-82	-	-	-79	-	dB
	-60 dB	-	-42	-	-	-39	-	dB

Note: 12. Referred to the typical full-scale input voltage

**ADC ANALOG CHARACTERISTICS (CS42406-CQZ)** (Continued)

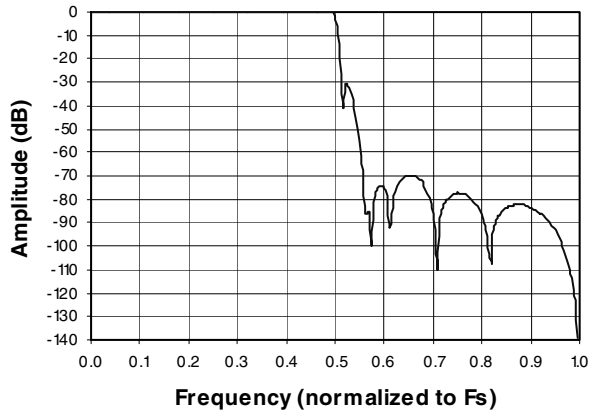
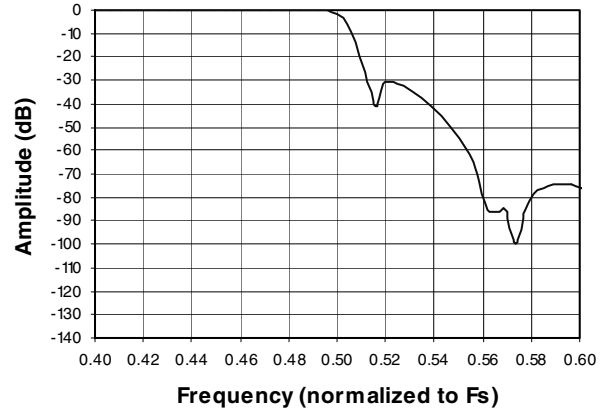
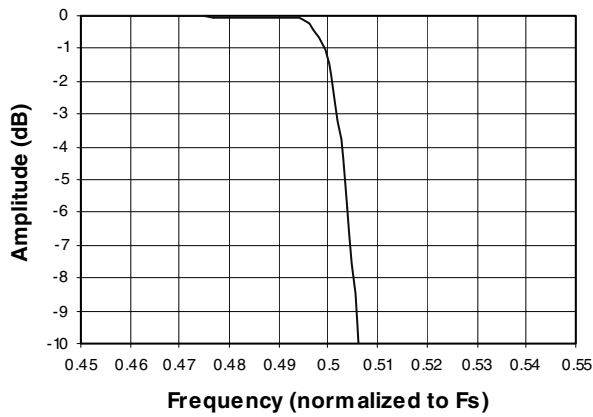
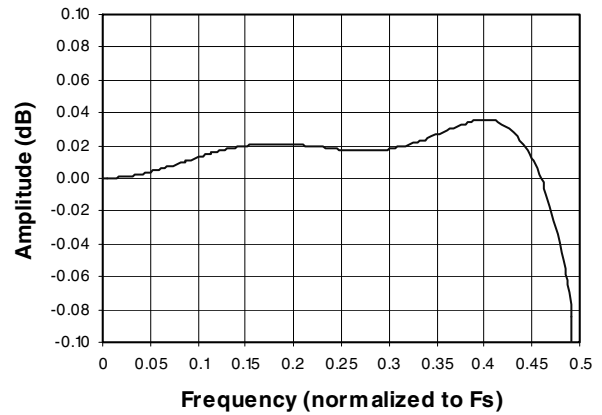
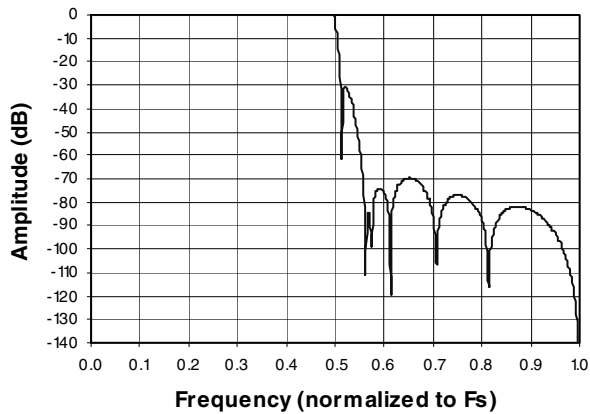
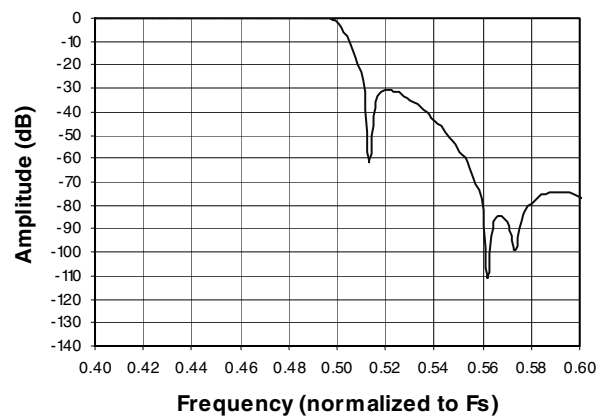
Parameters	Min	Typ	Max	Units
<b>Dynamic Performance for All Modes</b>				
Interchannel Isolation	-	90	-	dB
<b>DC Accuracy</b>				
Interchannel Gain Mismatch	-	0.1	-	dB
Gain Error	-	-	±10	%
Gain Drift	-	±100	-	ppm/°C
<b>Analog Input Characteristics</b>				
Full Scale Input Voltage	0.53•VA	0.56•VA	0.59•VA	V <sub>pp</sub>
Input Impedance	18	-	-	kΩ

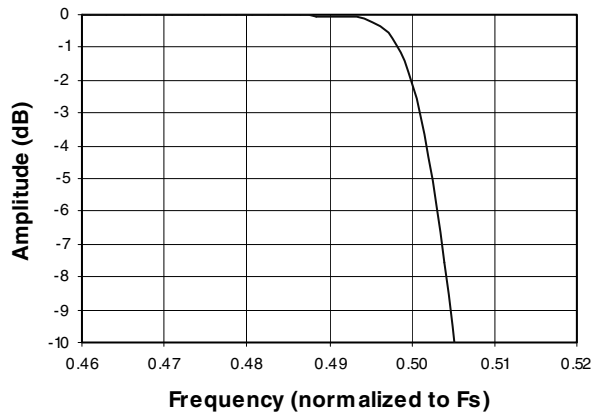
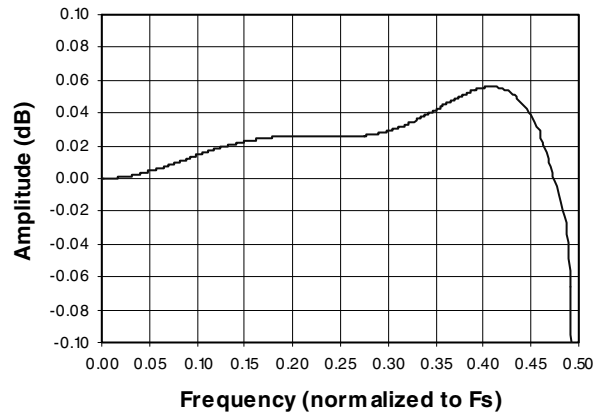
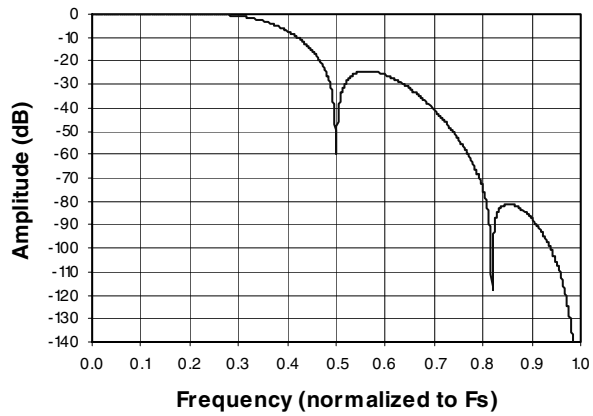
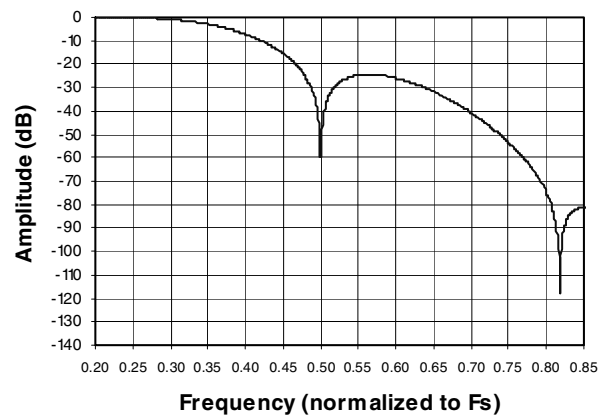
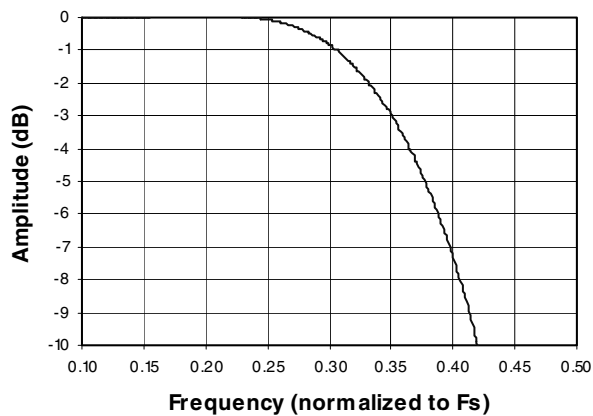
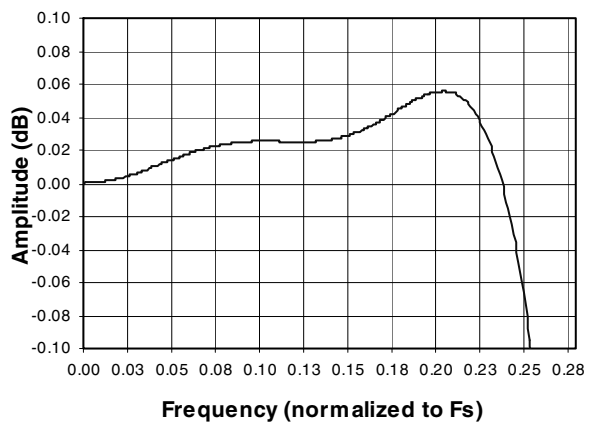
**ADC DIGITAL FILTER RESPONSE** The filter characteristics and the X-axis of the response plots have been normalized to the sample rate ( $F_s$ ) and can be referenced to the desired sample rate by multiplying the given characteristic by  $F_s$ .

Parameter	Min	Typ	Max	Unit
<b>Single-Speed Mode (4 kHz to 50 kHz sample rates)</b>				
Passband to -0.1 dB corner	0	-	0.49	$F_s$
Passband Ripple	-	-	0.035	dB
Stopband	0.57	-	-	$F_s$
Stopband Attenuation	70	-	-	dB
Total Group Delay	-	12/ $F_s$	-	s
<b>Double-Speed Mode (50 kHz to 100 kHz sample rates)</b>				
Passband to -0.1 dB corner	0	-	0.49	$F_s$
Passband Ripple	-	-	0.025	dB
Stopband	0.56	-	-	$F_s$
Stopband Attenuation	69	-	-	dB
Total Group Delay	-	9/ $F_s$	-	s
<b>Quad-Speed Mode (100 kHz to 200 kHz sample rates)</b>				
Passband to -0.1 dB corner	0	-	0.26	$F_s$
Passband Ripple	-	-	0.025	dB
Stopband	0.50	-	-	$F_s$
Stopband Attenuation	60	-	-	dB
Total Group Delay	-	5/ $F_s$	-	s
<b>High Pass Filter Characteristics</b>				
Frequency Response	-3.0 dB	-	1	Hz
	-0.13 dB (Note 13)	-	20	Hz
Phase Deviation	@ 20 Hz (Note 13)	-	10	Deg
Passband Ripple		-	0	dB

Note: 13. Response shown is for  $F_s$  equal to 48 kHz.




**Figure 11. Single-Speed Mode Stopband Rejection**

**Figure 12. Single-Speed Mode Stopband Rejection**

**Figure 13. Single-Speed Mode Transition Band (Detail)**

**Figure 14. Single-Speed Mode Passband Ripple**

**Figure 15. Double-Speed Mode Stopband Rejection**

**Figure 16. Double-Speed Mode Stopband Rejection**


**Figure 17. Double-Speed Mode Transition Band (Detail)**

**Figure 18. Double-Speed Mode Passband Ripple**

**Figure 19. Quad-Speed Mode Stopband Rejection**

**Figure 20. Quad-Speed Mode Stopband Rejection**

**Figure 21. Quad-Speed Mode Transition Band (Detail)**

**Figure 22. Quad-Speed Mode Passband Ripple**

**DC ELECTRICAL CHARACTERISTICS** GND = 0 V; all voltages with respect to GND.

Parameters	Symbol	Min	Typ	Max	Units	
<b>Normal Operation</b> (Note 14)						
Power Supply Current	VA = 5.0 V	IA	-	43	48	mA
	VD, VLS, VLC = 5.0 V	IDT	-	40	45	mA
	VA = 3.3 V	IA	-	40	44	mA
	VD, VLS, VLC = 3.3 V (Note 15)	IDT	-	25	26	mA
Power Dissipation	All Supplies = 5.0 V		-	415	465	mW
	All Supplies = 3.3 V		-	215	231	mW
<b>Power-down Mode</b> (Note 16)						
Power Supply Current	All Supplies = 5.0 V		-	2	-	mA
	All Supplies = 3.3 V		-	1	-	mA
Power Dissipation	All Supplies = 5.0 V		-	10	-	mW
	All Supplies = 3.3 V		-	3.3	-	mW
<b>All Modes of Operation</b>						
Power Supply Rejection Ratio (Note 17)	1 kHz	PSRR	-	60	-	dB
VQ Nominal Voltage			-	0.5•VA	-	V
Output Impedance	DAC_VQ		-	250	-	kΩ
	ADC_VQ		-	25	-	kΩ
Maximum allowable DC current source/sink			-	0.01	-	mA
Filt+ Nominal Voltage			-	VA	-	V
MUTECLow-Level Output Voltage			-	0	-	V
MUTECHigh-Level Output Voltage			-	VA	-	V
Maximum MUTECDrive Current			-	3	-	mA

Notes: 14. Normal operation is defined as  $\overline{\text{RST}} = \text{HI}$  with a 997 Hz, 0 dBFS digital input sampled at the highest  $F_s$  for each speed mode, and open outputs, unless otherwise specified. Analog inputs are driven with a 1 kHz, -1 dBFS sine wave and sampled at the highest  $F_s$  for each speed mode.

15.  $I_{DT}$  measured with no external loading on pin 14 (SDA).

16. Power Down Mode is defined as  $\overline{\text{DAC\_RST}} = \text{LO}$ ,  $\overline{\text{PDN\_ADC}} = \text{LO}$ , with all clocks and data lines held static.

17. Valid with the recommended capacitor values on Filt+ and VQ as shown in Figure 33.

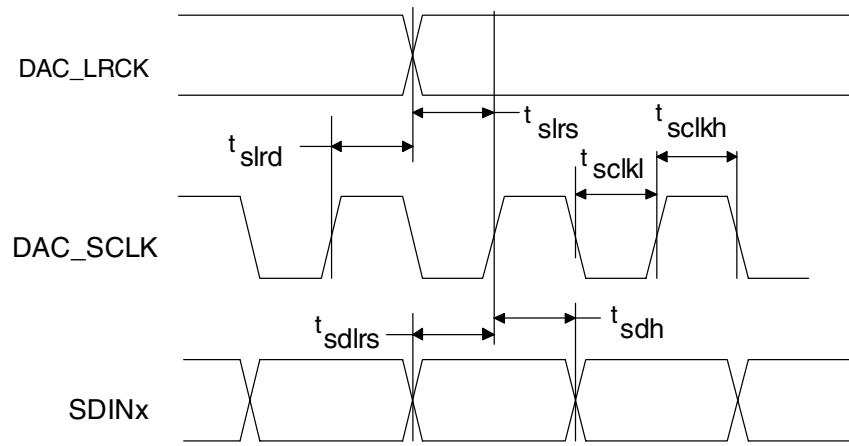
**DIGITAL CHARACTERISTICS** GND = 0 V; all voltages with respect to GND.

Parameters	Symbol	Min	Typ	Max	Units
Input Leakage Current	$I_{in}$	-	-	$\pm 10$	$\mu A$
Input Capacitance		-	8	-	pF
High-Level Input Voltage (% of VLS/VLC)	$V_{IH}$	70%	-	-	V
Low-Level Input Voltage (% of VLS/VLC)	$V_{IL}$	-	-	13%	V
High-Level Output Voltage at $I_o = 100 \mu A$ (% of VLS/VLC)	$V_{OH}$	70%	-	-	V
Low-Level Output Voltage at $I_o = 100 \mu A$ (% of VLS/VLC)	$V_{OL}$	-	-	15%	V

**SWITCHING CHARACTERISTICS - DAC SERIAL AUDIO PORT** (Logic "0" = GND = 0 V, Logic "1" = VLS)

Parameter	Symbol	Min	Typ	Max	Unit
<b>MCLK Specifications</b>					
MCLK Frequency		1.024	-	12.8	MHz
		22	-	25.6	MHz
MCLK Duty Cycle		45	-	55	%
<b>Single-Speed*</b>					
DAC_LRCK Duty Cycle		45	-	55	%
DAC_SCLK Frequency		-	-	128×Fs	Hz
DAC_SCLK Pulse Width Low	t <sub>sclkl</sub>	20	-	-	ns
DAC_SCLK Pulse Width High	t <sub>sclkh</sub>	20	-	-	ns
DAC_SCLK rising to DAC_LRCK edge delay	t <sub>slrd</sub>	20			ns
DAC_SCLK rising to DAC_LRCK edge setup time	t <sub>slrs</sub>	20			ns
SDINx valid to DAC_SCLK rising setup time	t <sub>sdhrs</sub>	20			ns
DAC_SCLK rising to SDINx hold time	t <sub>sdh</sub>	20			ns
<b>Double-Speed*</b>					
DAC_LRCK Duty Cycle		45	-	55	%
DAC_SCLK Frequency		-	-	64×Fs	Hz
DAC_SCLK Pulse Width Low	t <sub>sclkl</sub>	20	-	-	ns
DAC_SCLK Pulse Width High	t <sub>sclkh</sub>	20	-	-	ns
DAC_SCLK rising to DAC_LRCK edge delay	t <sub>slrd</sub>	20			ns
DAC_SCLK rising to DAC_LRCK edge setup time	t <sub>slrs</sub>	20			ns
SDINx valid to DAC_SCLK rising setup time	t <sub>sdhrs</sub>	20			ns
DAC_SCLK rising to SDINx hold time	t <sub>sdh</sub>	20			ns
<b>Quad-Speed*</b>					
DAC_LRCK Duty Cycle		45	-	55	%
DAC_SCLK Frequency		-	-	MCLK/2	Hz
DAC_SCLK Pulse Width Low	t <sub>sclkl</sub>	20	-	-	ns
DAC_SCLK Pulse Width High	t <sub>sclkh</sub>	20	-	-	ns
DAC_SCLK rising to DAC_LRCK edge delay	t <sub>slrd</sub>	20			ns
DAC_SCLK rising to DAC_LRCK edge setup time	t <sub>slrs</sub>	20			ns
SDINx valid to DAC_SCLK rising setup time	t <sub>sdhrs</sub>	20			ns
DAC_SCLK rising to SDINx hold time	t <sub>sdh</sub>	20			ns

\* For a description of Speed Modes, please refer to Section 4.1.2 on page 30.



**Figure 23. DAC Serial Audio Port**

## SWITCHING CHARACTERISTICS - ADC SERIAL AUDIO PORT

Logic "0" = GND = 0 V; Logic "1" = VLS, C<sub>L</sub> = 20 pF.

NOTE: Certain parameters depend on the 256x/384x (pin6) mode setting and are separated below.

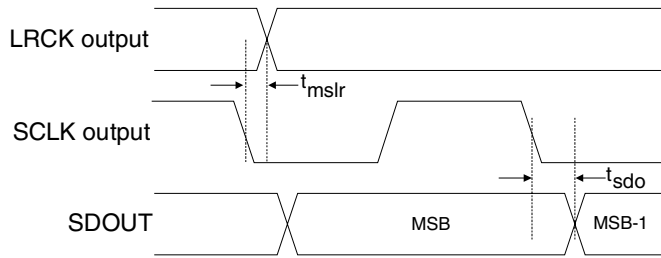
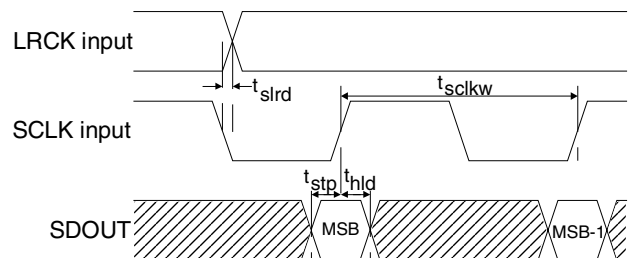
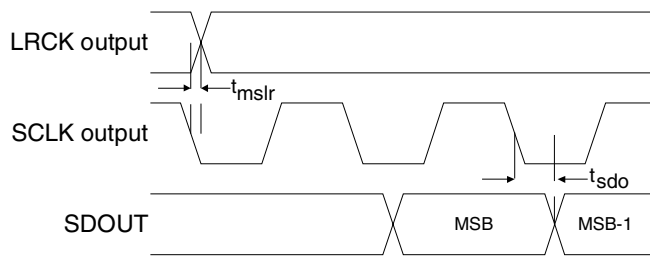
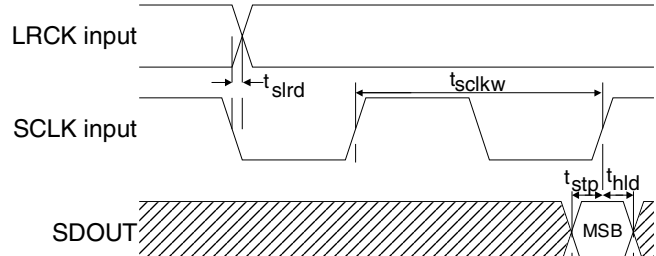
Parameter	Symbol	Min	Typ	Max	Unit	
MCLK Duty Cycle		45	-	55	%	
<b>Master Mode</b>						
ADC_SCLK falling to ADC_LRCK	t <sub>mslr</sub>	-20	-	20	ns	
ADC_SCLK falling to SDOUT valid	t <sub>sdo</sub>	0	-	32	ns	
<b>Slave Mode</b>						
<b>Single-Speed*</b>						
ADC_LRCK Frequency (Note 18)	MCLK = 256, 384 Fs (÷1 or 1.5)	Fs	4	-	50	kHz
	MCLK = 512, 768 Fs (÷2 or 3)	Fs	43	-	50	kHz
ADC_LRCK Duty Cycle		40	-	60	%	
SDOUT valid before ADC_SCLK rising	t <sub>stp</sub>	10	-	-	ns	
SDOUT valid after ADC_SCLK rising	t <sub>hld</sub>	5	-	-	ns	
ADC_SCLK falling to ADC_LRCK edge	t <sub>slrd</sub>	-20	-	20	ns	
<b>Double-Speed*</b>						
ADC_LRCK Frequency (Note 18)	MCLK = 128, 192 Fs (÷1 or 1.5)	Fs	50	-	100	kHz
	MCLK = 256, 384 Fs (÷2 or 3)	Fs	86	-	100	kHz
ADC_LRCK Duty Cycle		40	-	60	%	
SDOUT valid before ADC_SCLK rising	t <sub>stp</sub>	10	-	-	ns	
SDOUT valid after ADC_SCLK rising	t <sub>hld</sub>	5	-	-	ns	
ADC_SCLK falling to ADC_LRCK edge	t <sub>slrd</sub>	-20	-	20	ns	
<b>Quad-Speed*</b>						
ADC_LRCK Frequency (Note 18)	MCLK = 128 Fs (÷2 or 3)	Fs	172	-	200	kHz
ADC_LRCK Duty Cycle		40	-	60	%	
SDOUT valid before ADC_SCLK rising	t <sub>stp</sub>	10	-	-	ns	
SDOUT valid after ADC_SCLK rising	t <sub>hld</sub>	5	-	-	ns	
ADC_SCLK falling to ADC_LRCK edge	t <sub>slrd</sub>	-8	-	8	ns	

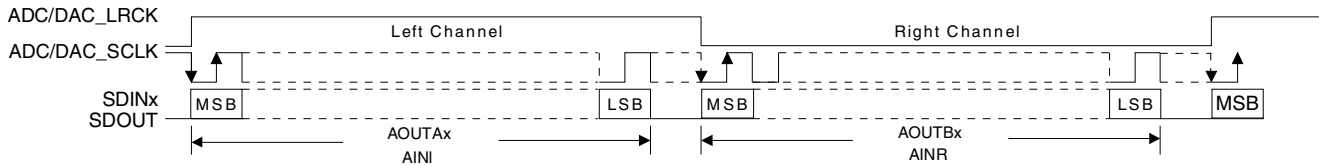
<b>256x Mode (pin 6 = LO)</b>						
MCLK Frequency (Note 18)	Internal ÷1		1.024	-	12.8	MHz
	Internal ÷2		22.016	-	25.6	MHz
<b>Master Mode</b>						
ADC_SCLK Duty Cycle	Single-Speed Mode		-	50	-	%
	Double-Speed Mode		-	50	-	%
	Quad-Speed Mode		-	50	-	%
ADC_LRCK Frequency (Note 18)						
MCLK = 64 Fs (÷1)	Quad-Speed Mode	Fs	100	-	200	kHz
<b>Slave Mode</b>						
ADC_SCLK Period	Single-Speed Mode	$t_{sclkw}$	156	-	-	ns
	Double-Speed Mode		156	-	-	ns
	Quad-Speed Mode		78	-	-	ns
ADC_SCLK Duty Cycle	Single-Speed Mode		45	-	55	%
	Double-Speed Mode		45	-	55	%
	Quad-Speed Mode		45	-	55	%
<b>384x Mode (pin 6 = HI)</b>						
MCLK Frequency (Note 18)	Internal ÷1.5		1.536	-	19.2	MHz
	Internal ÷3		33.024	-	38.4	MHz
<b>Master Mode</b>						
ADC_SCLK Duty Cycle	Single-Speed Mode		-	50	-	%
	Double-Speed Mode		-	50	-	%
	Quad-Speed Mode		-	33	-	%
ADC_LRCK Frequency (Note 18)						
MCLK = 96 Fs (÷1.5)	Quad-Speed Mode	Fs	100	-	200	kHz
<b>Slave Mode</b>						
ADC_SCLK Period	Single-Speed Mode	$t_{sclkw}$	290	-	-	ns
	Double-Speed Mode		193	-	-	ns
	Quad-Speed Mode		104	-	-	ns
ADC_SCLK Duty Cycle	Single-Speed Mode		45	-	55	%
	Double-Speed Mode		45	-	55	%
	Quad-Speed Mode		45	-	50	%

\* For a description of Speed Modes, please refer to Table 1 on page 30.

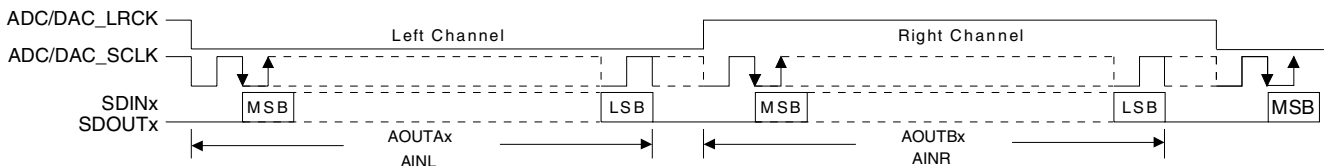
18. Internal ÷ is automatically determined when operating within the specified limits.



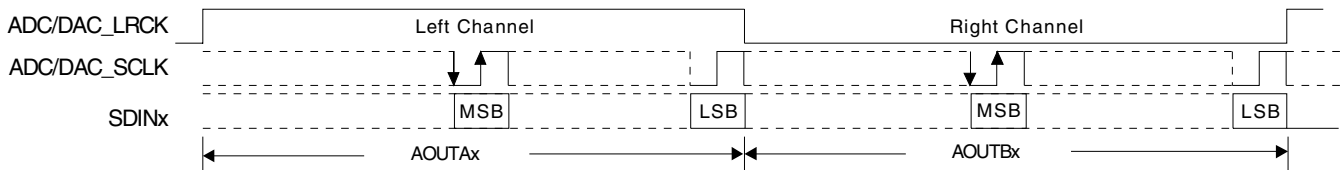

**Figure 24. Master Mode, Left Justified SAI**

**Figure 25. Slave Mode, Left Justified SAI**

**Figure 26. Master Mode, I²S SAI**

**Figure 27. Slave Mode, I²S SAI**



**Figure 28. Left Justified up to 24-Bit Data**



**Figure 29. I²S, up to 24-Bit Data**



**Figure 30. Right Justified Data**

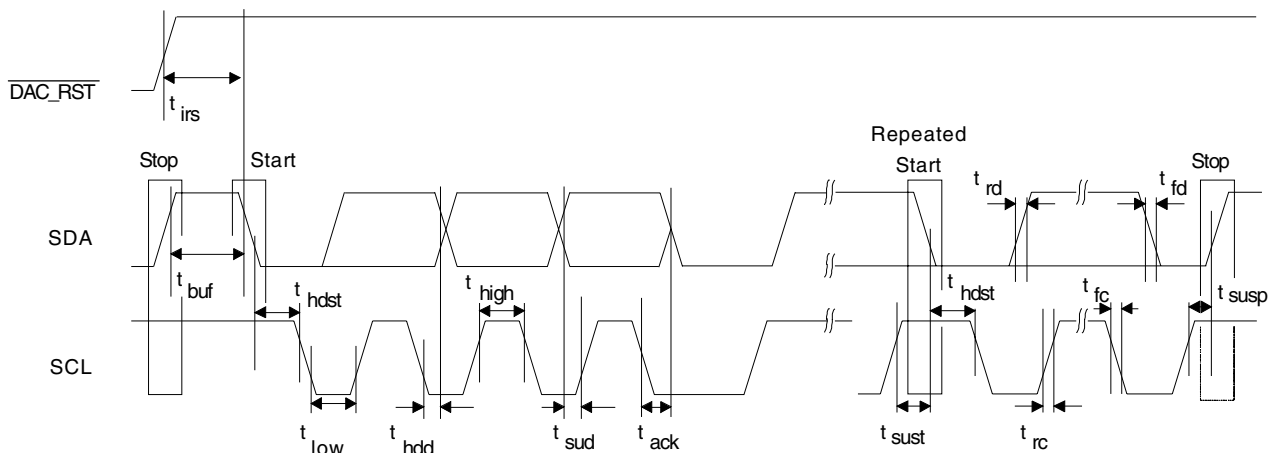
**SWITCHING SPECIFICATIONS - CONTROL PORT INTERFACE** Inputs: Logic

0 = GND, Logic 1 = VLC

Parameter	Symbol	Min	Max	Unit
<b>I<sup>2</sup>C Mode</b>				
SCL Clock Frequency	$f_{scl}$	-	100	kHz
DAC_RST Rising Edge to Start	$t_{irs}$	500	-	ns
Bus Free Time Between Transmissions	$t_{buf}$	4.7	-	$\mu$ s
Start Condition Hold Time (prior to first clock pulse)	$t_{hdst}$	4.0	-	$\mu$ s
Clock Low time	$t_{low}$	4.7	-	$\mu$ s
Clock High Time	$t_{high}$	4.0	-	$\mu$ s
Setup Time for Repeated Start Condition	$t_{sust}$	4.7	-	$\mu$ s
SDA Hold Time from SCL Falling (Note 19)	$t_{hdd}$	0	-	$\mu$ s
SDA Setup time to SCL Rising	$t_{sud}$	250	-	ns
Rise Time of SCL and SDA	$t_{rc}, t_{rc}$	-	1	$\mu$ s
Fall Time SCL and SDA	$t_{fc}, t_{fc}$	-	300	ns
Setup Time for Stop Condition	$t_{susp}$	4.7	-	$\mu$ s
Acknowledge Delay from SCL Falling (Note 20)	$t_{ack}$	-	(Note 21)	ns

 Notes: 19. Data must be held for sufficient time to bridge the transition time,  $t_{fc}$ , of SCL.

20. The acknowledge delay is based on MCLK and can limit the maximum transaction speed.

 21.  $\frac{5}{256 \times Fs}$  for Single-Speed Mode,  $\frac{5}{128 \times Fs}$  for Double-Speed Mode,  $\frac{5}{64 \times Fs}$  for Quad-Speed Mode.

**Figure 31. Control Port Timing - I<sup>2</sup>C Mode**

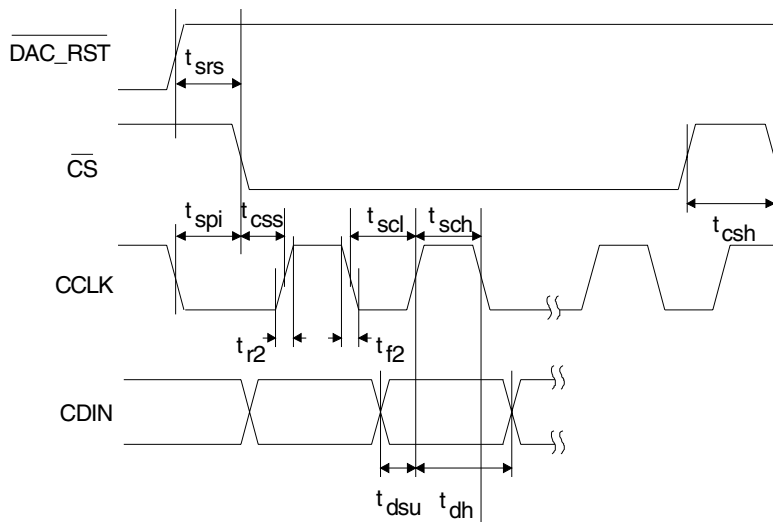
**SWITCHING SPECIFICATIONS - CONTROL PORT INTERFACE** (Continued)

Parameter	Symbol	Min	Max	Unit
<b>SPI Mode</b>				
CCLK Clock Frequency	$f_{sclk}$	-	6	MHz
DAC_RST Rising Edge to $\overline{CS}$ Falling	$t_{srs}$	500	-	ns
CCLK Edge to $\overline{CS}$ Falling (Note 22)	$t_{spi}$	500	-	ns
$\overline{CS}$ High Time Between Transmissions	$t_{csh}$	1.0	-	$\mu$ s
$\overline{CS}$ Falling to CCLK Edge	$t_{css}$	20	-	ns
CCLK Low Time	$t_{scl}$	$\frac{1}{MCLK}$	-	ns
CCLK High Time	$t_{sch}$	$\frac{1}{MCLK}$	-	ns
CDIN to CCLK Rising Setup Time	$t_{dsu}$	40	-	ns
CCLK Rising to DATA Hold Time (Note 23)	$t_{dh}$	15	-	ns
Rise Time of CCLK and CDIN (Note 24)	$t_{r2}$	-	100	ns
Fall Time of CCLK and CDIN (Note 24)	$t_{f2}$	-	100	ns

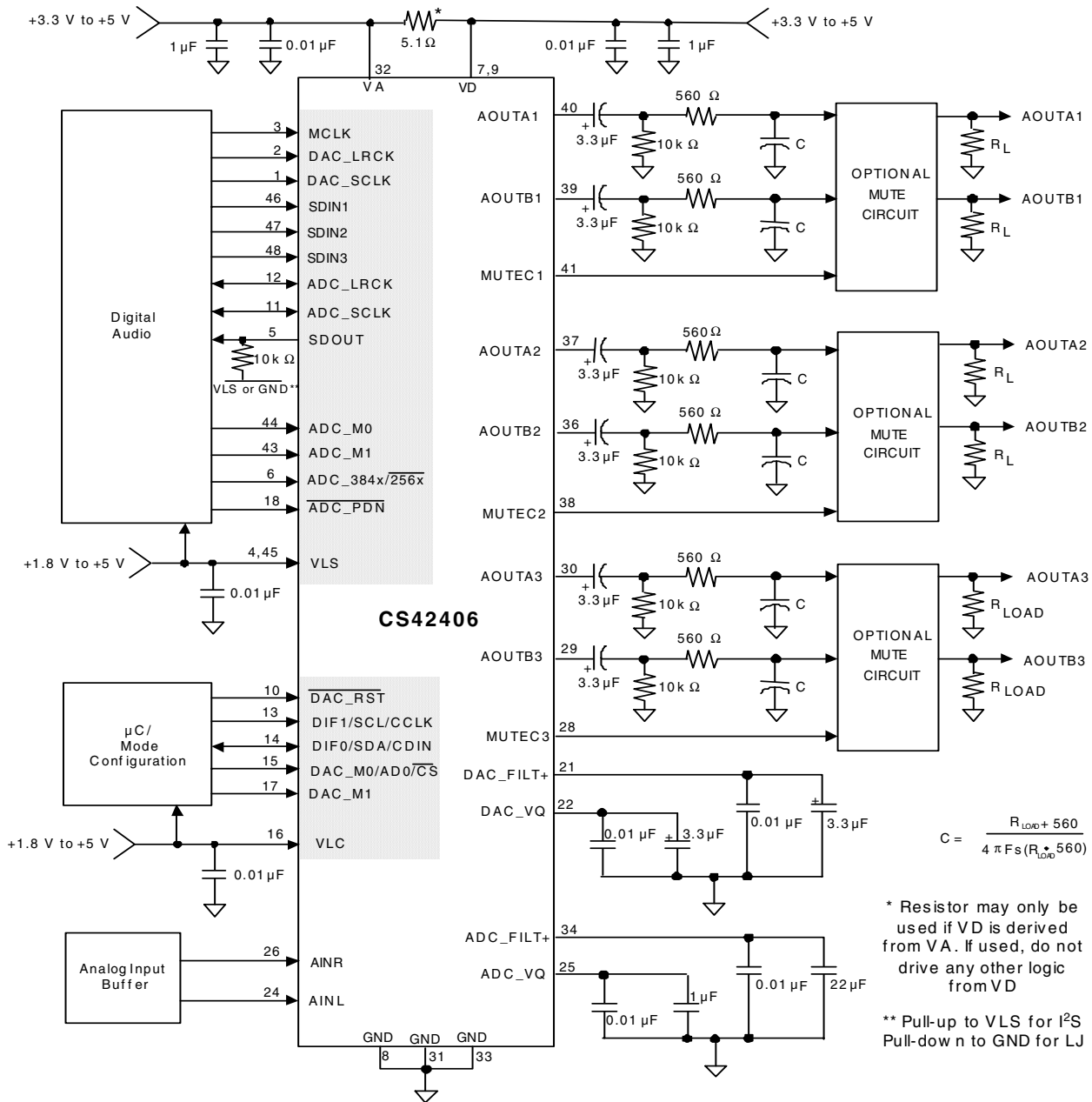
Notes: 22.  $t_{spi}$  only needed before first falling edge of  $\overline{CS}$  after  $\overline{DAC\_RST}$  rising edge.  $t_{spi} = 0$  at all other times.

23. Data must be held for sufficient time to bridge the transition time of CCLK.

24. For  $f_{sclk} < 1$  MHz.



**Figure 32. Control Port Timing - SPI Mode**

**3. TYPICAL CONNECTION DIAGRAM**

**Figure 33. Typical Connection Diagram**

## 4. APPLICATIONS

### 4.1 Single, Double, and Quad-Speed Modes

#### 4.1.1 ADC Serial Port

The ADC's internal to the CS42406 can support output sample rates from 2 kHz to 200 kHz, and a base MCLK/ADC\_LRCK ratio of either 256x or 384x. The proper speed mode can be determined by the desired output sample rate and the external MCLK/ADC\_LRCK ratio, as shown in Table 1 and Table 2. Please see section 4.2 for a discussion on how to select the desired speed mode.

Speed Mode	MCLK / ADC_LRCK Ratio	ADC_SCLK / ADC_LRCK Ratio	Output Sample Rate Range (kHz)
Single-Speed Mode	512x	32x, 48x, 64x	43 - 50
	256x	32x, 48x, 64x	2 - 50
Double-Speed Mode	256x	32x, 48x, 64x	86 - 100
	128x	32x, 48x, 64x	50 - 100
Quad-Speed Mode	128x	32x, 48x, 64x	172 - 200
	64x*	64x	100 - 200

\* Quad-Speed Mode, 64x only available in Master Mode.

**Table 1. ADC Speed Modes and the Associated Output Sample Rates (Fs) for 256x Mode**

Speed Mode	MCLK/ADC_LRCK Ratio	ADC_SCLK/ADC_ LRCK Ratio	Output Sample Rate Range (kHz)
Single-Speed Mode	768x	32x, 48x, 64x	43 - 50
	384x	32x, 48x, 64x	2 - 50
Double-Speed Mode	384x	32x, 48x	86 - 100
	192x	32x, 48x	50 - 100
Quad-Speed Mode	192x	32x, 48x	172 - 200
	96x*	48x	100 - 200

\* Quad Speed Mode, 96x only available in Master Mode.

**Table 2. ADC Speed Modes and the Associated Output Sample Rates (Fs) for 384x Mode**

#### 4.1.2 DAC Serial Port

##### 4.1.2a Stand Alone Mode

The DAC's internal to the CS42406 operate in one of four operational modes determined by the DAC\_Mx pins when in Stand Alone Mode. Sample rates outside the specified range for each mode are not supported. Refer to Table 3.

DAC_M1	DAC_M0	Input Sample Rate (Fs)	MODE
0	0	4 kHz - 50 kHz	Single-Speed Mode (without De-emphasis)
0	1	32 kHz - 48 kHz	Single-Speed Mode (with De-emphasis)
1	0	50 kHz - 100 kHz	Double-Speed Mode
1	1	100 kHz - 200 kHz	Quad-Speed Mode

**Table 3. CS42406 Stand Alone DAC Operational Modes**

#### 4.1.2b Control Port Mode

The DAC's operate in one of three operational modes determined by the FM bits (see section 6.1.4) in Control Port mode. Sample rates outside the specified range for each mode are not supported.

FM1	FM0	Input Sample Rate (Fs)	MODE
0	0	4 kHz - 50 kHz	Single-Speed Mode
0	1	50 kHz - 100 kHz	Double-Speed Mode
1	0	100 kHz - 200 kHz	Quad-Speed Mode
1	1	Reserved	Reserved

**Table 4. CS42406 Control Port DAC Operational Modes**

## 4.2 ADC Serial Port Operation as Either a Clock Master or Slave

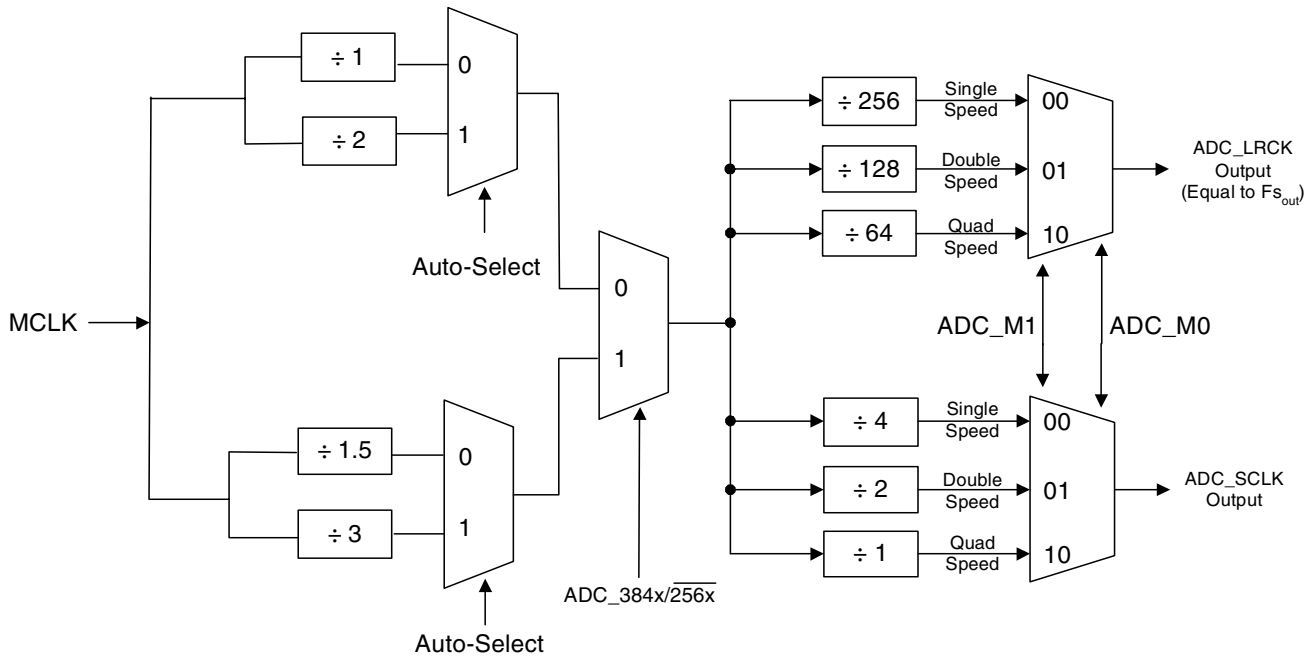
The CS42406 ADC serial port supports operation as either a clock master or slave. As a clock master, the ADC\_LRCK and ADC\_SCLK pins are outputs with the left/right and serial clocks synchronously generated on-chip. As a clock slave, the ADC\_LRCK and ADC\_SCLK pins are inputs and require the left/right and serial clocks to be externally generated. The selection of clock master or slave is made via the ADC\_Mx pins as shown in Table 5.

ADC_M1	ADC_M0	MODE
0	0	Clock Master, Single-Speed Mode
0	1	Clock Master, Double-Speed Mode
1	0	Clock Master, Quad-Speed Mode
1	1	Clock Slave, All Speed Modes

**Table 5. CS42406 ADC Serial Port Mode Control**

### 4.2.1 Operation as a Clock Master

As a clock master, ADC\_LRCK and ADC\_SCLK operate as outputs. The left/right and serial clocks are internally derived from the master clock with the left/right clock equal to  $F_s$  and the serial clock equal to  $64 \times F_s$ , as shown in Figure 34.



**Figure 34. ADC Serial Port, Master Mode Clocking**

## 4.2.2 Operation as a Clock Slave

ADC\_LRCK and ADC\_SCLK operate as inputs in clock slave mode. It is recommended that the left/right clock be synchronously derived from the master clock and must be equal to  $F_s$ . It is also recommended that the serial clock be synchronously derived from the master clock and be equal to  $64 \times F_s$  to maximize system performance. Please refer to Table 1 and Table 2 for supported SCLK ratios.

A unique feature of the CS42406 ADC serial port is the automatic selection of either Single, Double or Quad-Speed Mode when operating as a clock slave. The auto-mode selection feature supports all standard audio sample rates from 2 to 200 kHz. However, there are ranges of non-standard audio sample rates that are not supported when operating with a fast MCLK ( $512 \times / 768 \times$ ,  $256 \times / 384 \times$ ,  $128 \times / 192 \times$  for Single, Double, and Quad-Speed Modes, respectively). Please refer to Table 1 and Table 2 for supported sample rate ranges.

## 4.3 Digital Interface Format

### 4.3.1 DAC Serial Port

The CS42406 DAC serial port will accept audio samples in 1 of 4 digital interface formats in Stand Alone Mode (as illustrated in Table 6), and 1 of 6 formats in Control Port mode (as illustrated in Table 7 on page 41).



### 4.3.1a Stand Alone Mode

The desired format for the DAC serial port is selected via the DIF1 and DIF0 pins. For an illustration of the required relationship between the DAC\_LRCK, DAC\_SCLK and SDINx, see Figures 28-30.

DIF1	DIF0	DESCRIPTION	FORMAT	FIGURE
0	0	Left Justified, up to 24-bit Data	0	29
0	1	I <sup>2</sup> S, up to 24-bit Data	1	28
1	0	Right Justified, 16-bit Data	2	30
1	1	Right Justified, 24-bit Data	3	30

**Table 6. DAC Digital Interface Format - Stand Alone Mode**

### 4.3.1b Control Port Mode

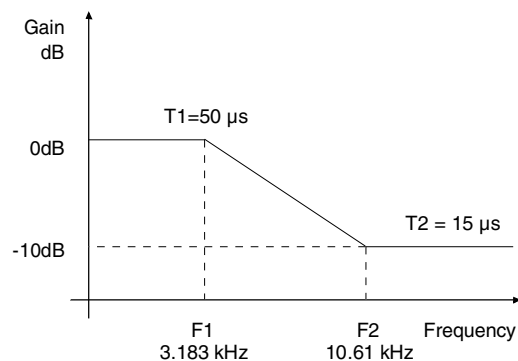
The desired format for the DAC serial port is selected via the DIF2, DIF1 and DIF0 bits in the Mode Control 2 register (see section 6.1.2). For an illustration of the required relationship between DAC\_LRCK, DAC\_SCLK and SDINx, see Figures 28-30.

### 4.3.2 ADC Serial Port

The CS42406 ADC serial port supports both I<sup>2</sup>S and Left Justified serial audio formats. Upon start-up, the CS42406 will detect the logic level on SDOOUT. A 10 k $\Omega$  pull-up resistor to VLS is needed to select I<sup>2</sup>S format, and a 10 k $\Omega$  pull-down resistor to GND is needed to select Left Justified format. Please see Figures 28 and 29 for an illustration of the required relationship between ADC\_LRCK, ADC\_SCLK, and SDOOUT.

## 4.4 De-Emphasis Control

The CS42406 includes on-chip digital de-emphasis. Figure 35 shows the de-emphasis curve for Fs equal to 44.1 kHz. The frequency response of the de-emphasis curve will scale proportionally with changes in sample rate, Fs.



**Figure 35. De-Emphasis Curve**

Notes: De-emphasis is only available in Single-Speed Mode.

### 4.4.1 Stand Alone Mode

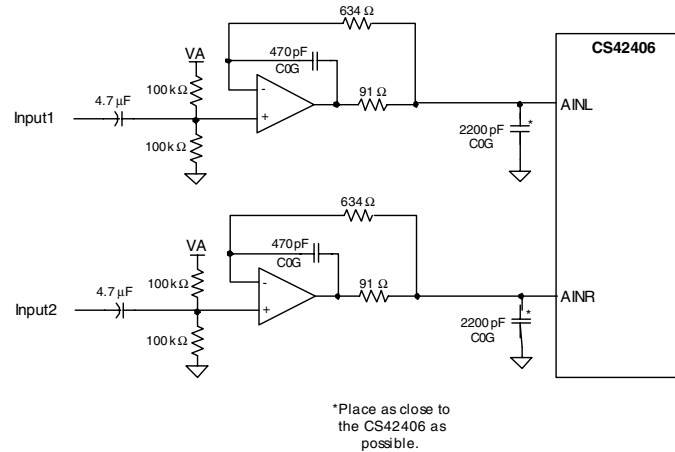
The operational mode pins, DAC\_M1 and DAC\_M0, selects the 44.1 kHz de-emphasis filter. Please see section 4.1.2a for the desired de-emphasis control.

### 4.4.2 Control Port Mode

The Mode Control bits selects either the 32, 44.1, or 48 kHz de-emphasis filter. Please see section 6.1.3 for the desired de-emphasis control.

## 4.5 Analog Connections

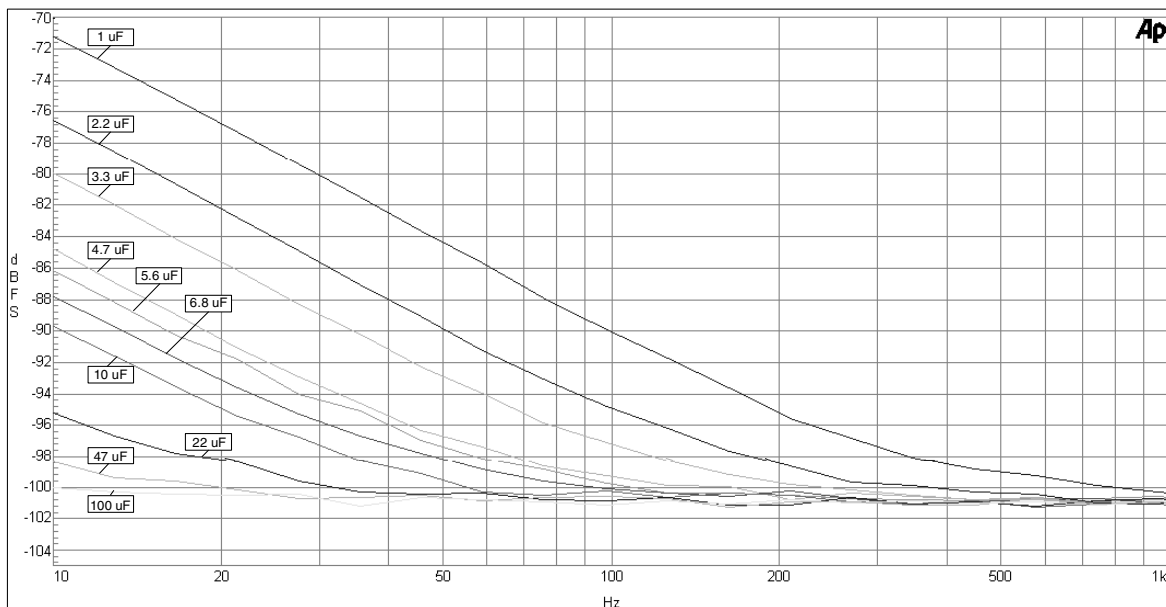
The analog modulator samples the input at 6.144 MHz. The digital filter will reject signals within the stop-band of the filter. However, there is no rejection for input signals which are multiples of the input sampling frequency ( $n * 6.144 \text{ MHz}$ ), where  $n=0, 1, 2, \dots$ . Refer to Figure 36 which shows the suggested filter that will attenuate any noise energy at 6.144 MHz, in addition to providing the optimum source impedance for the modulators. The use of capacitors which have a large voltage coefficient (such as general purpose ceramics) must be avoided since these can degrade signal linearity.



**Figure 36. CS42406 Recommended Analog Input Buffer**

### 4.5.1 Capacitor Size on the Reference Pin (FILT+)

The CS42406 requires an external capacitance on the internal reference voltage pin, ADC\_FILT+. The size of this decoupling capacitor will affect the low frequency distortion performance as shown in Figure 37, with larger capacitor values used to optimize low frequency distortion performance.



**Figure 37. CS42406 ADC: THD+N versus Frequency**

## 4.6 Recommended Power-up Sequence

### 4.6.1 Stand Alone Mode

- 1) Hold  $\overline{\text{DAC\_RST}}$  and  $\overline{\text{ADC\_PDN}}$  low until the power supplies and configuration pins are stable, and the master and left/right clocks are locked to the appropriate frequencies. In this state, the control port is reset to its default settings.
- 2) Bring  $\overline{\text{DAC\_RST}}$  and  $\overline{\text{ADC\_PDN}}$  high. The CS42406 DAC will remain in a low power state with  $\text{DAC\_VQ}$  low and will initiate the Stand Alone power-up sequence after approximately 512  $\text{DAC\_LRCK}$  cycles in Single-Speed Mode (1024  $\text{DAC\_LRCK}$  cycles in Double-Speed Mode, and 2048  $\text{DAC\_LRCK}$  cycles in Quad-Speed Mode). The CS42406 ADC will begin the power-up sequence immediately following  $\overline{\text{ADC\_PDN}}$  going high.

### 4.6.2 Control Port Mode

- 1) Hold  $\overline{\text{DAC\_RST}}$  and  $\overline{\text{ADC\_PDN}}$  low until the power supplies are stable, and the master and left/right clocks are locked to the appropriate frequencies. In this state, the control port is reset to its default settings.
- 2) Bring  $\overline{\text{DAC\_RST}}$  and  $\overline{\text{ADC\_PDN}}$  high. The CS42406 DAC will remain in a low power state with  $\text{DAC\_VQ}$  low.
- 3) Load the desired register settings while keeping the PDN bit set to 1.
- 4) Set the PDN bit to 0. This will initiate the power-up sequence for the DAC, which lasts approximately 50  $\mu\text{s}$  when the POPG bit is set to 0. If the POPG bit is set to 1, see Section 4.7 for a complete description of power-up timing.

## 4.7 Popguard® Transient Control

The CS42406 uses a technique to minimize the effects of output transients during power-up and power-down. This technology, when used with external DC-blocking capacitors in series with the audio outputs, minimizes the audio transients commonly produced by single-ended single-supply converters. It is activated inside the CS42406 when the  $\overline{\text{DAC\_RST}}$  pin or PDN bit is enabled/disabled and requires no other external control, aside from choosing the appropriate DC-blocking capacitors.

### 4.7.1 Power-up

When the device is initially powered-up, the audio outputs,  $\text{AOUTAx}$  and  $\text{AOUTBx}$ , are clamped to GND. Following a delay of approximately 1000  $\text{DAC\_LRCK}$  cycles, each output begins to ramp toward the quiescent voltage. Approximately 10,000  $\text{DAC\_LRCK}$  cycles later, the outputs reach  $\text{DAC\_VQ}$  and audio output begins. This gradual voltage ramping allows time for the external DC-blocking capacitors to charge to the quiescent voltage, minimizing the power-up transient.

### 4.7.2 Power-down

To prevent transients at power-down, the CS42406 must first enter its power-down state. When this occurs, audio output ceases and the internal output buffers are disconnected from  $\text{AOUTAx}$  and  $\text{AOUTBx}$ . In their place, a soft-start current sink is substituted which allows the DC-blocking capacitors to slowly discharge. Once this charge is dissipated, the power to the device may be turned off and the system is ready for the next power-on.

### 4.7.3 Discharge Time

To prevent an audio transient at the next power-on, the DC-blocking capacitors must fully discharge before turning on the power or exiting the power-down state. If full discharge does not occur, a transient will occur when the audio outputs are initially clamped to GND. The time that the device must remain in the

power-down state is related to the value of the DC-blocking capacitance and the output load. For example, with a 3.3  $\mu\text{F}$  capacitor, the minimum power-down time will be approximately 0.4 seconds.

## 4.8 Mute Control

The Mute Control pins go high during power-up initialization, reset, muting (see section 6.1.1 and 6.4.1), or if the MCLK to DAC\_LRCK ratio is incorrect. These pins are intended to be used as control for external mute circuits to prevent the clicks and pops that can occur in any single-ended single supply system.

Use of the Mute Control function is not mandatory but recommended for designs requiring the absolute minimum in extraneous clicks and pops. Also, use of the Mute Control function can enable the system designer to achieve idle channel noise/signal-to-noise ratios which are only limited by the external mute circuit. Please see the CDB42406 data sheet for a suggested mute circuit.

## 4.9 Grounding and Power Supply Arrangements

As with any high resolution converter, the CS42406 requires careful attention to power supply and grounding arrangements if its potential performance is to be realized. Figure 33 shows the recommended power arrangements, with VA, VD, VLS and VLC connected to clean supplies. If the ground planes are split between digital ground and analog ground, the GND pins of the CS42406 should be connected to the analog ground plane.

All signals, especially clocks, should be kept away from the FILT+ and VQ pins in order to avoid unwanted coupling into the modulators. The CDB42406 evaluation board demonstrates the optimum layout and power supply arrangements.

### 4.9.1 Capacitor Placement

Decoupling capacitors should be placed as close to the CS42406 as possible, with the low value ceramic capacitor being the closest. To further minimize impedance, these capacitors should be located on the same layer as the converter. If desired, all supply pins may be connected to the same supply, but a decoupling capacitor should still be placed on each supply pin and referenced to analog ground. Due to the proximity of the two VD pins (pins 7 and 9), one set of decoupling capacitors will be sufficient for the digital supply. Please refer to Figure 33.

## 4.10 Control Port Interface

The control port is used to load all the internal register settings (see section 6). The operation of the control port may be completely asynchronous with the audio sample rate. However, to avoid potential interference problems, the control port pins should remain static if no operation is required.

The control port operates in one of two modes: I<sup>2</sup>C or SPI.

Notes: MCLK must be applied during all I<sup>2</sup>C communication.

### 4.10.1 Memory Address Pointer (MAP)

The MAP byte precedes the control port register byte during a write operation and is not available again until after a start condition is initiated. During a read operation the byte transmitted after the  $\overline{\text{ACK}}$  will contain the data of the register pointed to by the MAP (see sections 4.10.2a and 4.10.2b for write/read details).

7	6	5	4	3	2	1	0
INCR	Reserved	Reserved	Reserved	MAP3	MAP2	MAP1	MAP0
0	0	0	0	0	0	0	0

### 4.10.1a INCR (Auto Map Increment)

The CS42406 has MAP auto increment capability enabled by the INCR bit (the MSB) of the MAP. If INCR is set to 0, MAP will stay constant for successive I<sup>2</sup>C writes or reads and SPI writes. If INCR is set to 1, MAP will auto increment after each byte is written, allowing block reads or writes of successive registers.

Default = '0'  
 0 - Disabled  
 1 - Enabled

### 4.10.1b MAP0-3 (Memory Address Pointer)

Default = '0000'

### 4.10.2 I<sup>2</sup>C Mode

In the I<sup>2</sup>C mode, data is clocked into and out of the bi-directional serial control data line, SDA, by the serial control port clock, SCL. There is no  $\overline{CS}$  pin. Pin AD0 enables the user to alter the chip address (001000[AD0][R/W]) and should be tied to V<sub>LC</sub> or GND as required, before powering up the device. If the device ever detects a high to low transition on the AD0/ $\overline{CS}$  pin after power-up, SPI mode will be selected.

#### 4.10.2a I<sup>2</sup>C Write

To write to the device, follow the procedure below while adhering to the control port timing as described in "Switching Specifications - Control Port Interface" on page 27.

- 1) Initiate a START condition to the I<sup>2</sup>C bus followed by the address byte. The upper 6 bits must be 001000. The seventh bit must match the setting of the AD0 pin, and the eighth must be 0. The eighth bit of the address byte is the R/W bit.
- 2) Wait for an acknowledge (ACK) from the part, then write to the memory address pointer, MAP. This byte points to the register to be written.
- 3) Wait for an acknowledge (ACK) from the part, then write the desired data to the register pointed to by the MAP.
- 4) If the INCR bit (see section 4.10.1a) is set to 1, repeat the previous step until all the desired registers are written, then initiate a STOP condition to the bus.
- 5) If the INCR bit is set to 0 and further I<sup>2</sup>C writes to other registers are desired, it is necessary to repeat the procedure detailed from step 1. If no further writes to other registers are desired, initiate a STOP condition to the bus.

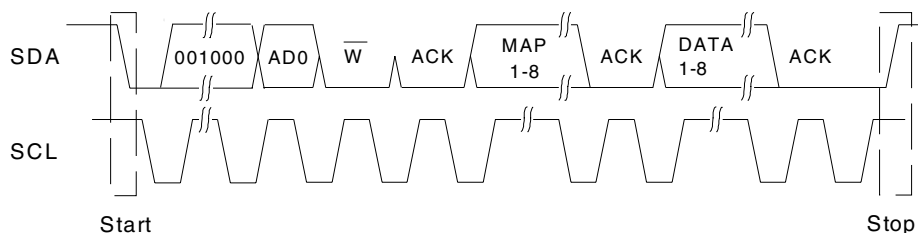
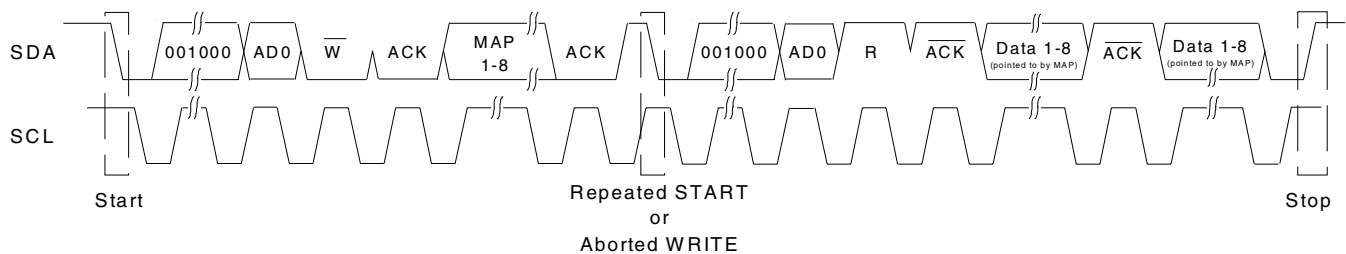


Figure 38. I<sup>2</sup>C Write

#### 4.10.2b I<sup>2</sup>C Read

To read from the device, follow the procedure below while adhering to the control port Switching Specifications. During this operation it is first necessary to write to the device, specifying the appropriate register through the MAP.

- 1) After writing to the MAP (see section 4.10.1), initiate a repeated START condition to the I<sup>2</sup>C bus followed by the address byte. The upper 6 bits must be 001000. The seventh bit must match the setting of the AD0 pin, and the eighth must be 1. The eighth bit of the address byte is the R/W bit.
- 2) Signal the end of the address byte by *not* issuing an acknowledge. The device will then transmit the contents of the register pointed to by the MAP. The MAP will contain the address of the last register written to the MAP.
- 3) If the INCR bit is set to 1, the device will continue to transmit the contents of successive registers. Continue providing a clock but do not issue an ACK on the bytes clocked out of the device. After all the desired registers are read, initiate a STOP condition to the bus.
- 4) If the INCR bit is set to 0 and further I<sup>2</sup>C reads from other registers are desired, it is necessary to repeat the procedure detailed from step 1. If no further reads from other registers are desired, initiate a STOP condition to the bus.



**Figure 39. I<sup>2</sup>C Read**

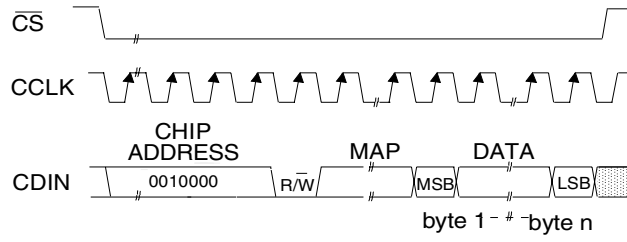
### 4.10.3 SPI Mode

In SPI mode, data is clocked into the serial control data line, CDIN, by the serial control port clock, CCLK (see Figure 40 for the clock to data relationship). There is no AD0 pin. Pin  $\overline{CS}$  is the chip select signal and is used to control SPI writes to the control port. When the device detects a high to low transition on the AD0/ $\overline{CS}$  pin after power-up, SPI mode will be selected. All signals are inputs and data is clocked in on the rising edge of CCLK.

#### 4.10.3a SPI Write

To write to the device, follow the procedure below while adhering to the control port Switching Specifications.

- 1) Bring  $\overline{CS}$  low.
- 2) The address byte on the CDIN pin must then be 00100000.
- 3) Write to the memory address pointer, MAP. This byte points to the register to be written.
- 4) Write the desired data to the register pointed to by the MAP.
- 5) If the INCR bit (see section 4.10.1a) is set to 1, repeat the previous step until all the desired registers are written, then bring  $\overline{CS}$  high.
- 6) If the INCR bit is set to 0 and further SPI writes to other registers are desired, it is necessary to bring  $\overline{CS}$  high, and repeat the procedure detailed from step 1. If no further writes to other registers are desired, bring  $\overline{CS}$  high.



MAP = Memory Address Pointer

**Figure 40. SPI Write**

**5. REGISTER QUICK REFERENCE**

Addr	Function	7	6	5	4	3	2	1	0
1h	Mode Control 1 default	AMUTE 1	DIF2 0	DIF1 0	DIF0 0	DEM1 0	DEM0 0	FM1 0	FM0 0
2h	Invert Signal default	Reserved 0	Reserved 0	INV_B3 0	INV_A3 0	INV_B2 0	INV_A2 0	INV_B1 0	INV_A1 0
3h	Mixing Control P1 default	Reserved 0	Reserved 0	Reserved 0	Reserved 0	P1ATAPI3 1	P1ATAPI2 0	P1ATAPI1 0	P1ATAPI0 1
4h	Mixing Control P2 default	Reserved 0	Reserved 0	Reserved 0	Reserved 0	P2ATAPI3 1	P2ATAPI2 0	P2ATAPI1 0	P2ATAPI0 1
5h	Mixing Control P3 default	Reserved 0	Reserved 0	Reserved 0	Reserved 0	P3ATAPI3 1	P3ATAPI2 0	P3ATAPI1 0	P3ATAPI0 1
6h	Volume Control A1 default	A1_MUTE 0	A1_VOL6 0	A1_VOL5 0	A1_VOL4 0	A1_VOL3 0	A1_VOL2 0	A1_VOL1 0	A1_VOL0 0
7h	Volume Control B1 default	B1_MUTE 0	B1_VOL6 0	B1_VOL5 0	B1_VOL4 0	B1_VOL3 0	B1_VOL2 0	B1_VOL1 0	B1_VOL0 0
8h	Volume Control A2 default	A2_MUTE 0	A2_VOL6 0	A2_VOL5 0	A2_VOL4 0	A2_VOL3 0	A2_VOL2 0	A2_VOL1 0	A2_VOL0 0
9h	Volume Control B2 default	B2_MUTE 0	B2_VOL6 0	B2_VOL5 0	B2_VOL4 0	B2_VOL3 0	B2_VOL2 0	B2_VOL1 0	B2_VOL0 0
0Ah	Volume Control A3 default	A3_MUTE 0	A3_VOL6 0	A3_VOL5 0	A3_VOL4 0	A3_VOL3 0	A3_VOL2 0	A3_VOL1 0	A3_VOL0 0
0Bh	Volume Control B3 default	B3_MUTE 0	B3_VOL6 0	B3_VOL5 0	B3_VOL4 0	B3_VOL3 0	B3_VOL2 0	B3_VOL1 0	B3_VOL0 0
0Ch	Mode Control 2 default	SZC1 1	SZC0 0	CPEN 0	PDN 1	POPG 1	FREEZE 0	Reserved 0	SINGLVOL 0



## 6. REGISTER DESCRIPTIONS

Note: All registers are read/write in I<sup>2</sup>C mode and write only in SPI, unless otherwise stated.

### 6.1 MODE CONTROL 1 (ADDRESS 01H)

7	6	5	4	3	2	1	0
AMUTE	DIF2	DIF1	DIF0	DEM1	DEM0	FM1	FM0
1	0	0	0	0	0	0	0

#### 6.1.1 AUTO-MUTE (AMUTE) BIT 7

*Default = 1*

0 - Disabled

1 - Enabled

*Function:*

The CS42406 DAC output will mute following the reception of 8192 consecutive audio samples of static 0 or -1. A single sample of non-static data will release the mute. Detection and muting is done independently for each channel. The quiescent voltage on the output will be retained and the Mute Control pin will go active during the mute period. The muting function is affected, similar to volume control changes, by the Soft and Zero Cross bits in the Power and Muting Control register.

#### 6.1.2 DIGITAL INTERFACE FORMAT (DIF) BIT 6-4

*Default = 000 - Format 0 (Left Justified, up to 24-bit data)*

*Function:*

The required relationship between the DAC\_LRCK, DAC\_SCLK, and SDINx is defined by the Digital Interface Format and the options are detailed in Figures 28-30.

DIF2	DIF1	DIF0	DESCRIPTION	Format	FIGURE
0	0	0	Left Justified, up to 24-bit data	0	28
0	0	1	I <sup>2</sup> S, up to 24-bit data	1	29
0	1	0	Right Justified, 16-bit data	2	30
0	1	1	Right Justified, 24-bit data	3	30
1	0	0	Right Justified, 20-bit data	4	30
1	0	1	Right Justified, 18-bit data	5	30
1	1	0	Reserved	-	-
1	1	1	Reserved	-	-

**Table 7. Digital Interface Formats - Control Port Mode**

**6.1.3 DE-EMPHASIS CONTROL (DEM) BIT 3-2**

*Default = 00*

- 00 - Disabled
- 01 - 44.1 kHz
- 10 - 48 kHz
- 11 - 32 kHz

*Function:*

Selects the appropriate digital filter to maintain the standard 15  $\mu$ s/50  $\mu$ s digital de-emphasis filter response at 32, 44.1 or 48 kHz sample rates. (See Figure 35.)

Note: De-emphasis is only available in Single-Speed Mode.

**6.1.4 FUNCTIONAL MODE (FM) BIT 1-0**

*Default = 00*

- 00 - Single-Speed Mode (4 to 50 kHz sample rates)
- 01 - Double-Speed Mode (50 to 100 kHz sample rates)
- 10 - Quad-Speed Mode (100 to 200 kHz sample rates)
- 11 - Reserved

*Function:*

Selects the required range of input sample rates.

**6.2 INVERT SIGNAL (ADDRESS 02H)**

7	6	5	4	3	2	1	0
Reserved	Reserved	INV_B3	INV_A3	INV_B2	INV_A2	INV_B1	INV_A1
0	0	0	0	0	0	0	0

**6.2.1 INVERT SIGNAL POLARITY (INV\_XX) BIT 5-0**

*Default = 0*

- 0 - Disabled
- 1 - Enabled

*Function:*

When enabled, these bits invert the signal polarity for each of their respective channels.

**6.3 MIXING CONTROL PAIR 1 (CHANNELS A1 & B1) (ADDRESS 03H)  
 MIXING CONTROL PAIR 2 (CHANNELS A2 & B2) (ADDRESS 04H)  
 MIXING CONTROL PAIR 3 (CHANNELS A3 & B3) (ADDRESS 05H)**

7	6	5	4	3	2	1	0
Reserved	Reserved	Reserved	Reserved	PxATAPI3	PxATAPI2	PxATAPI1	PxATAPI0
0	0	0	0	1	0	0	1

**6.3.1 ATAPI CHANNEL MIXING AND MUTING (ATAPI) BIT 3-0**

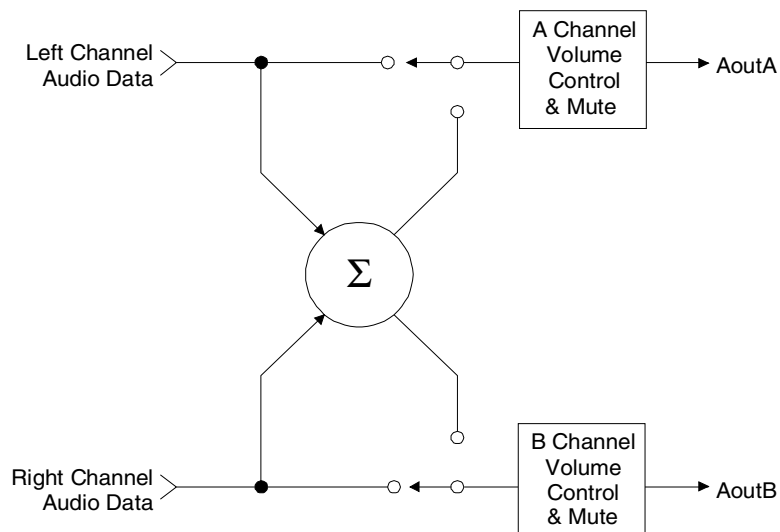
Default = 1001 - AOUTAx = L, AOUTBx = R (Stereo)

*Function:*

The CS42406 implements the channel mixing functions of the ATAPI CD-ROM specification. Refer to Table 8 and Figure 41 for additional information.

Note: All mixing functions occur prior to the digital volume control. Mixing only occurs in channel pairs.

ATAPI3	ATAPI2	ATAPI1	ATAPI0	AOUTAx	AOUTBx
0	0	0	0	MUTE	MUTE
0	0	0	1	MUTE	R
0	0	1	0	MUTE	L
0	0	1	1	MUTE	[(L+R)/2]
0	1	0	0	R	MUTE
0	1	0	1	R	R
0	1	1	0	R	L
0	1	1	1	R	[(L+R)/2]
1	0	0	0	L	MUTE
1	0	0	1	L	R
1	0	1	0	L	L
1	0	1	1	L	[(L+R)/2]
1	1	0	0	[(L+R)/2]	MUTE
1	1	0	1	[(L+R)/2]	R
1	1	1	0	[(L+R)/2]	L
1	1	1	1	[(L+R)/2]	[(L+R)/2]

**Table 8. ATAPI Decode**

**Figure 41. ATAPI Block Diagram**

## 6.4 VOLUME CONTROL (ADDRESSES 06H - 0BH)

7	6	5	4	3	2	1	0
xx_MUTE	xx_VOL6	xx_VOL5	xx_VOL4	xx_VOL3	xx_VOL2	xx_VOL1	xx_VOL0
0	0	0	0	0	0	0	0

### 6.4.1 MUTE (MUTE) BIT 7

*Default = 0*

0 - Disabled

1 - Enabled

*Function:*

The CS42406 DAC output converter output will mute when enabled. The quiescent voltage on the output will be retained. The muting function is affected, similar to attenuation changes, by the Soft and Zero Cross bits. The MUTE<sub>Cx</sub> pins will go active during the mute period if the Mute function is enabled for both channels in the pair.

### 6.4.2 DAC VOLUME CONTROL (XX\_VOL) BIT 6-0

Default = 0

*Function:*

The Digital Volume Control registers allow independent control of the signal levels in 1 dB increments from 0 to -119 dB. Volume settings are decoded as shown in Table 9. The volume changes are implemented as dictated by the Soft Ramp and Zero Cross bits. All volume settings less than -119 dB are equivalent to enabling the MUTE bit.

Binary Code	Decimal Value	Volume Setting
0001010	10	-10 dB
0010100	20	-20 dB
0101000	40	-40 dB
0111100	60	-60 dB
1011010	90	-90 dB

Table 9. Example Digital Volume Settings

## 6.5 MODE CONTROL 2 (ADDRESS 0CH)

7	6	5	4	3	2	1	0
SZC1	SZC0	CPEN	PDN	POPG	FREEZE	RESERVED	SNGLVOL
1	0	0	1	1	0	0	0

### 6.5.1 SOFT RAMP AND ZERO CROSS CONTROL (SZC) BIT 7-6

*Default = 10*

00 - Immediate Change

01 - Zero Cross

10 - Soft Ramp

11 - Soft Ramp and Zero Cross

*Function:*

Immediate Change

When Immediate Change is selected all level changes will be implemented immediately in one step.

### Zero Cross

Zero Cross Enable dictates that signal level changes, either by attenuation changes or muting, will occur on a signal zero crossing to minimize audible artifacts. The requested level change will occur after a timeout period between 512 and 1024 sample periods (10.7 ms to 21.3 ms at 48 kHz input sample rate) if the signal does not encounter a zero crossing. The zero cross function is independently monitored and implemented for each channel.

### Soft Ramp

Soft Ramp allows level changes, both muting and attenuation, to be implemented by incrementally ramping, in 1/8 dB steps, from the current level to the new level at a rate of 1 dB per 8 DAC\_LRCK periods.

### Soft Ramp and Zero Cross

Soft Ramp and Zero Cross dictates that signal level changes, either by attenuation changes or muting, will occur in 1/8 dB steps and will be implemented on successive signal zero crossings. The 1/8 dB level changes will occur after timeout periods between 512 and 1024 sample periods (10.7 ms to 21.3 ms at 48 kHz input sample rate) if the signal does not encounter zero crossings. The zero cross function is independently monitored and implemented for each channel.

## 6.5.2 CONTROL PORT ENABLE (CPEN) BIT 5

*Default = 0*  
0 - Disabled  
1 - Enabled

### *Function:*

The Control Port will become active and reset to the default settings when this function is enabled.

## 6.5.3 POWER DOWN (PDN) BIT 4

*Default = 1*  
0 - Disabled  
1 - Enabled

### *Function:*

The DAC will enter a low-power state when this function is enabled, but the contents of the control registers will be retained in this mode. The power-down bit defaults to 'enabled' on power-up and must be disabled before normal operation in Control Port mode can occur.

## 6.5.4 POPGUARD® TRANSIENT CONTROL (POPG) BIT 3

*Default = 1*  
0 - Disabled  
1 - Enabled

### *Function:*

The PopGuard® Transient Control allows the quiescent voltage to slowly ramp to and from 0 volts to the quiescent voltage during power-on or power-off when this function is enabled. Please see section 4.7 for implementation details.

### 6.5.5 FREEZE CONTROLS (FREEZE) BIT 2

*Default = 0*

0 - Disabled

1 - Enabled

*Function:*

This function allows modifications to be made to the registers without the changes taking effect until the FREEZE is disabled. To have multiple changes in the control port registers take effect simultaneously, enable the FREEZE bit, make all register changes, then disable the FREEZE bit.

### 6.5.6 SINGLE VOLUME CONTROL (SNGLVOL) BIT 0

*Default = 0*

0 - Disabled

1 - Enabled

*Function:*

The individual channel volume levels are independently controlled by their respective Volume Control Bytes when this function is disabled. When enabled, the volume on all channels is determined by the A1 Channel Volume Control Byte, and the other Volume Control Bytes are ignored.

## 7 PARAMETER DEFINITIONS

### Dynamic Range

The ratio of the rms value of the signal to the rms sum of all other spectral components over the specified bandwidth. Dynamic Range is a signal-to-noise ratio measurement over the specified bandwidth made with a -60 dBFS signal. 60 dB is added to resulting measurement to refer the measurement to full-scale. This technique ensures that the distortion components are below the noise level and do not affect the measurement. This measurement technique has been accepted by the Audio Engineering Society, AES17-1991, and the Electronic Industries Association of Japan, EIAJ CP-307. Expressed in decibels.

### Total Harmonic Distortion + Noise

The ratio of the rms value of the signal to the rms sum of all other spectral components over the specified bandwidth (typically 10 Hz to 20 kHz), including distortion components. Expressed in decibels. Measured at -1 and -20 dBFS as suggested in AES17-1991 Annex A.

### Frequency Response

A measure of the amplitude response variation from 10 Hz to 20 kHz relative to the amplitude response at 1 kHz. Units in decibels.

### Interchannel Isolation

A measure of crosstalk between the left and right channels. Measured for each channel at the converter's output with no signal to the input under test and a full-scale signal applied to the other channel. Units in decibels.

### Interchannel Gain Mismatch

The gain difference between left and right channels. Units in decibels.

### Gain Error

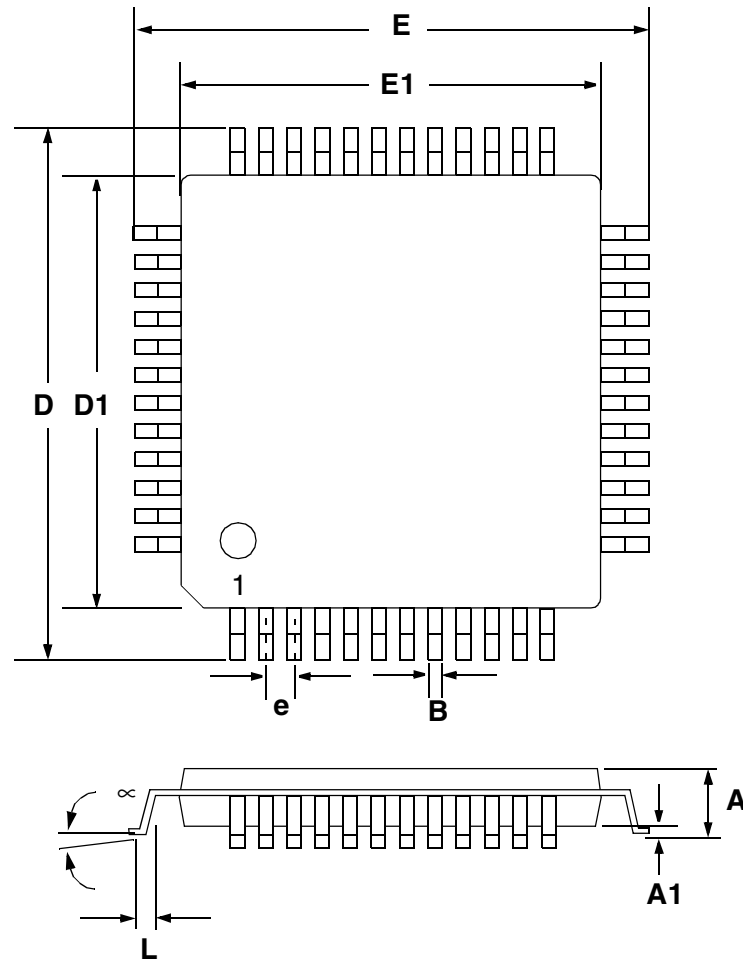
The deviation from the nominal full-scale analog input for a full-scale digital output.

### Gain Drift

The change in gain value with temperature. Units in ppm/°C.

### Offset Error

The deviation of the mid-scale transition (111...111 to 000...000) from the ideal. Units in mV.

**8. PACKAGE DIMENSIONS**
**48L LQFP PACKAGE DRAWING**


DIM	INCHES			MILLIMETERS		
	MIN	NOM	MAX	MIN	NOM	MAX
A	---	0.055	0.063	---	1.40	1.60
A1	0.002	0.004	0.006	0.05	0.10	0.15
B	0.007	0.009	0.011	0.17	0.22	0.27
D	0.343	0.354	0.366	8.70	9.0 BSC	9.30
D1	0.272	0.28	0.280	6.90	7.0 BSC	7.10
E	0.343	0.354	0.366	8.70	9.0 BSC	9.30
E1	0.272	0.28	0.280	6.90	7.0 BSC	7.10
e*	0.016	0.020	0.024	0.40	0.50 BSC	0.60
L	0.018	0.24	0.030	0.45	0.60	0.75
∞	0.000°	4°	7.000°	0.00°	4°	7.00°

\* Nominal pin pitch is 0.50 mm

Controlling dimension is mm.

JEDEC Designation: MS026



**9. REVISION HISTORY**

Revision	Date	Changes
PP1	August 2003	Initial Release
PP2	March 2004	<p><b>Added</b> Revision History Table.</p> <p><b>Changed</b> "Gain Error" from <math>\pm 5\%</math> to <math>\pm 10\%</math> in the ADC Analog Characteristics.</p> <p><b>Removed</b> "Inter Channel" and "Intra Channel Phase Deviation" specification on page 11 and page 16.</p> <p><b>Removed</b> ADC &amp; DAC FILT+ "Output Impedance" and "Current Source Sink" specification on page 19.</p> <p><b>Changed</b> maximum <math>V_{OL}</math> from 13% to 15% on page 20.</p> <p><b>Changed</b> MCLK min/max duty cycle from 40/60% to 45/55% on page 23.</p> <p><b>Added</b> Figure 37 on page 34.</p>
PP3	August 2004	<b>Added</b> lead free part numbers.
PP4	December 2004	<b>Corrected</b> typographical errors.
PP5	December 2004	<p><b>Removed</b> automotive part <i>CS42406-DQZ</i> ordering availability and performance specifications.</p> <p><b>Added</b> Note 3 to 4 on page 8 limiting VA, VD and VL operation.</p> <p><b>Modified</b> table "Switching Characteristics - ADC Serial Audio Port" on page 23 to highlight 256x and 384x mode.</p> <p><b>Added</b> "ADC_LRCK Frequency", "SCLK Duty Cycle (Slave Mode)" and setup &amp; hold timing specifications in "Switching Characteristics - ADC Serial Audio Port" on page 23.</p> <p><b>Removed</b> ADC_SCLK high/low timing and the "ADC_SCLK falling to SDOOUT valid" specifications from "Switching Characteristics - ADC Serial Audio Port" on page 23.</p> <p><b>Modified</b> Figures 24 to 27 on page 25 to reflect timing specifications.</p> <p><b>Corrected</b> Typical Connection Diagram, Figure 33 on page 29.</p> <p><b>Added</b> ADC_SCLK/ADC_LRCK ratio parameters in Table 1 to 2 on page 30.</p> <p><b>Changed</b> recommended anti-aliasing capacitor value from 2700 pF to 2200 pF in Figure 36 "CS42406 Recommended Analog Input Buffer" on page 34.</p>

**Table 10. Revision History**

---

## Contacting Cirrus Logic Support

For all product questions and inquiries contact a Cirrus Logic Sales Representative.  
To find one nearest you go to <http://www.cirrus.com/>

---

### IMPORTANT NOTICE

"Preliminary" product information describes products that are in production, but for which full characterization data is not yet available. Cirrus Logic, Inc. and its subsidiaries ("Cirrus") believe that the information contained in this document is accurate and reliable. However, the information is subject to change without notice and is provided "AS IS" without warranty of any kind (express or implied). Customers are advised to obtain the latest version of relevant information to verify, before placing orders, that information being relied on is current and complete. All products are sold subject to the terms and conditions of sale supplied at the time of order acknowledgment, including those pertaining to warranty, patent infringement, and limitation of liability. No responsibility is assumed by Cirrus for the use of this information, including use of this information as the basis for manufacture or sale of any items, or for infringement of patents or other rights of third parties. This document is the property of Cirrus and by furnishing this information, Cirrus grants no license, express or implied under any patents, mask work rights, copyrights, trademarks, trade secrets or other intellectual property rights. Cirrus owns the copyrights associated with the information contained herein and gives consent for copies to be made of the information only for use within your organization with respect to Cirrus integrated circuits or other products of Cirrus. This consent does not extend to other copying such as copying for general distribution, advertising or promotional purposes, or for creating any work for resale.

CERTAIN APPLICATIONS USING SEMICONDUCTOR PRODUCTS MAY INVOLVE POTENTIAL RISKS OF DEATH, PERSONAL INJURY, OR SEVERE PROPERTY OR ENVIRONMENTAL DAMAGE ("CRITICAL APPLICATIONS"). CIRRUS PRODUCTS ARE NOT DESIGNED, AUTHORIZED OR WARRANTED FOR USE IN AIRCRAFT SYSTEMS, MILITARY APPLICATIONS, PRODUCTS SURGICALLY IMPLANTED INTO THE BODY, LIFE SUPPORT PRODUCTS OR OTHER CRITICAL APPLICATIONS (INCLUDING MEDICAL DEVICES, AIRCRAFT SYSTEMS OR COMPONENTS AND PERSONAL OR AUTOMOTIVE SAFETY OR SECURITY DEVICES). INCLUSION OF CIRRUS PRODUCTS IN SUCH APPLICATIONS IS UNDERSTOOD TO BE FULLY AT THE CUSTOMER'S RISK AND CIRRUS DISCLAIMS AND MAKES NO WARRANTY, EXPRESS, STATUTORY OR IMPLIED, INCLUDING THE IMPLIED WARRANTIES OF MERCHANTABILITY AND FITNESS FOR PARTICULAR PURPOSE, WITH REGARD TO ANY CIRRUS PRODUCT THAT IS USED IN SUCH A MANNER. IF THE CUSTOMER OR CUSTOMER'S CUSTOMER USES OR PERMITS THE USE OF CIRRUS PRODUCTS IN CRITICAL APPLICATIONS, CUSTOMER AGREES, BY SUCH USE, TO FULLY INDEMNIFY CIRRUS, ITS OFFICERS, DIRECTORS, EMPLOYEES, DISTRIBUTORS AND OTHER AGENTS FROM ANY AND ALL LIABILITY, INCLUDING ATTORNEYS' FEES AND COSTS, THAT MAY RESULT FROM OR ARISE IN CONNECTION WITH THESE USES.

Purchase of I<sup>2</sup>C components of Cirrus Logic, Inc., or one of its sublicensed Associated Companies conveys a license under the Phillips I<sup>2</sup>C Patent Rights to use those components in a standard I<sup>2</sup>C system.

SPI is a trademark of Motorola, Inc.

Cirrus Logic, Cirrus, and the Cirrus Logic logo designs are trademarks of Cirrus Logic, Inc. All other brand and product names in this document may be trademarks or service marks of their respective owners.