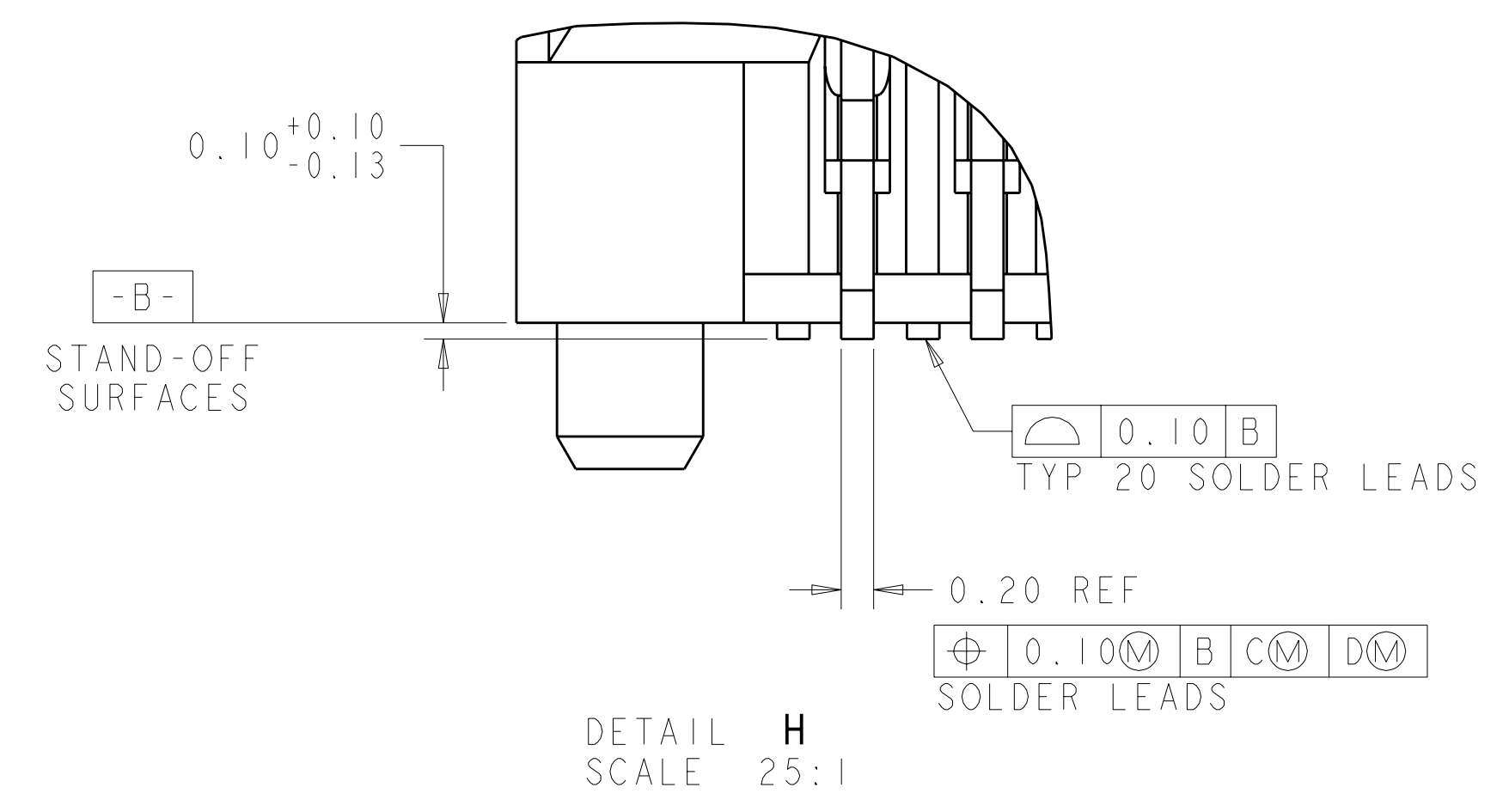
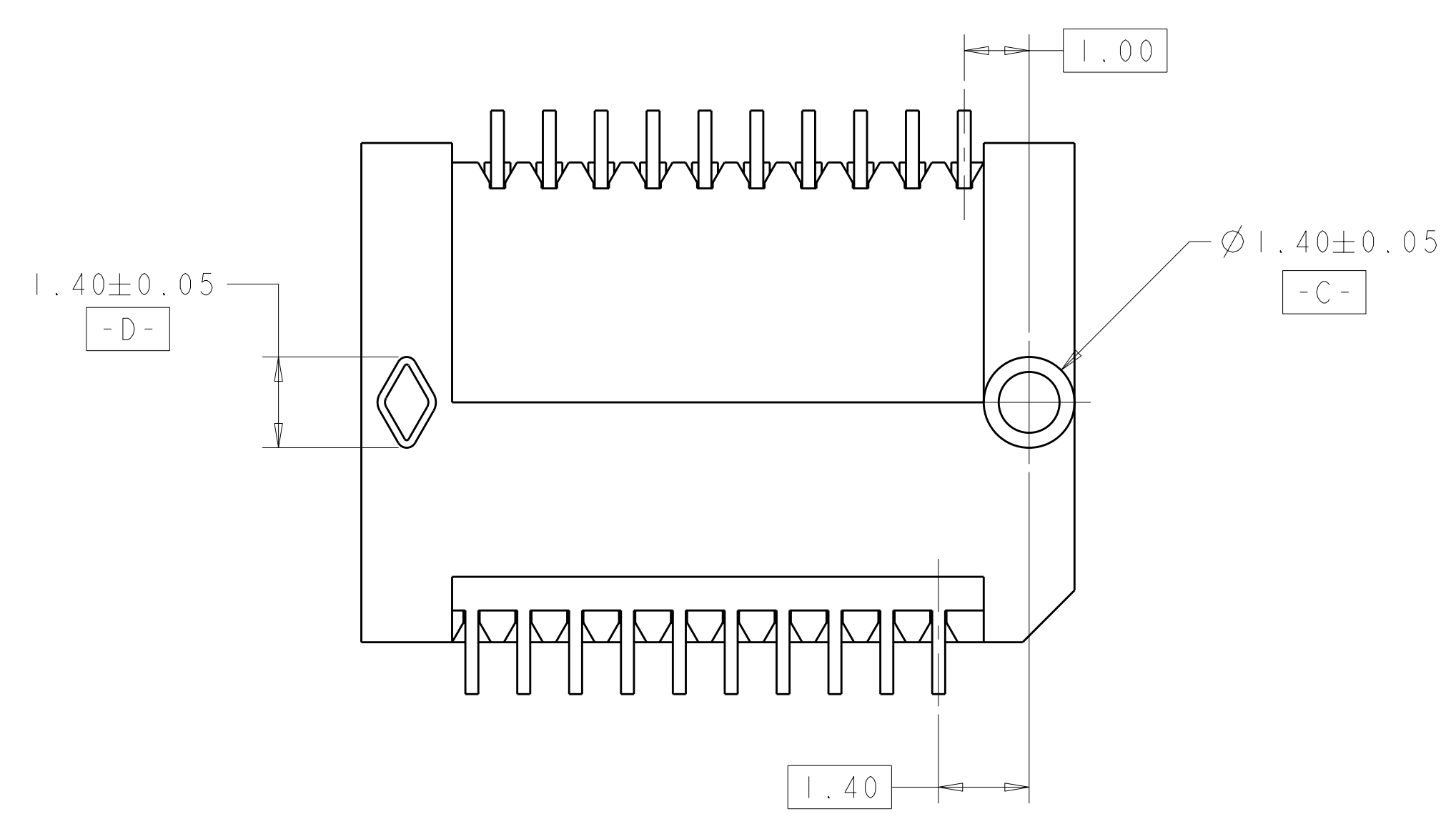
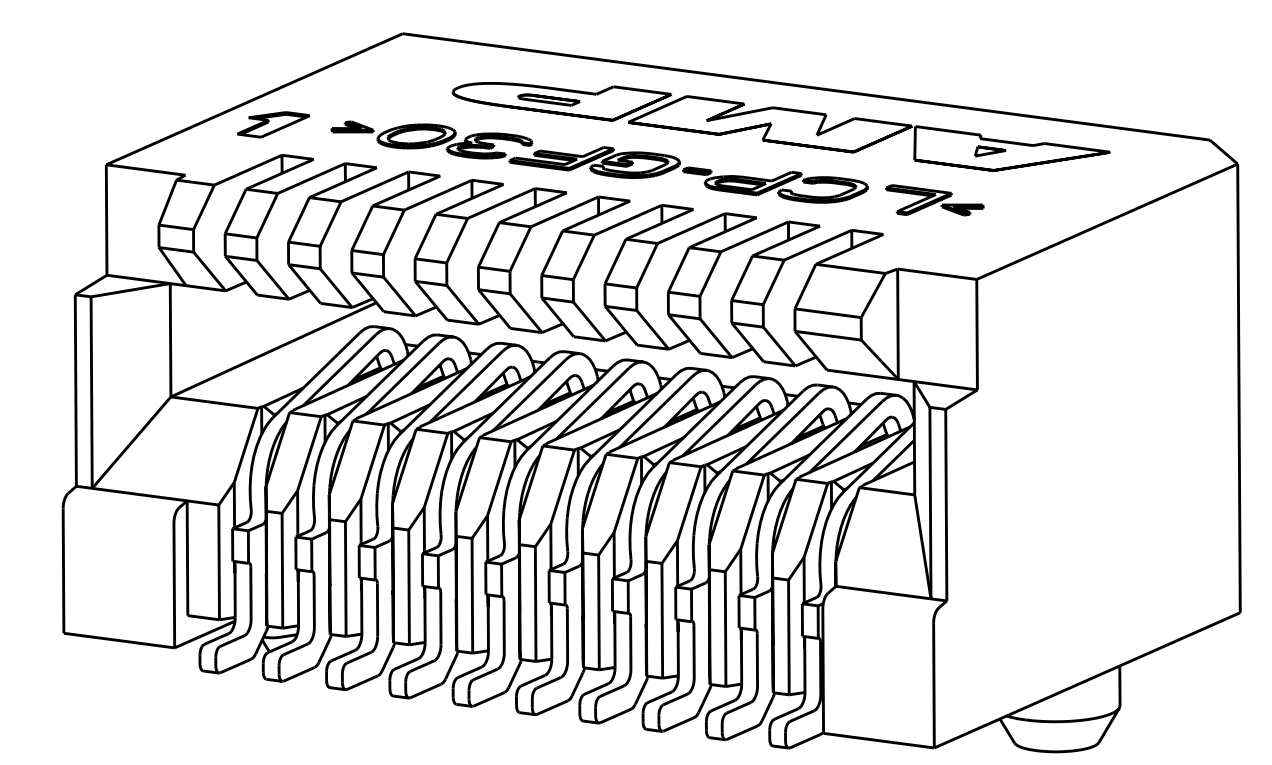
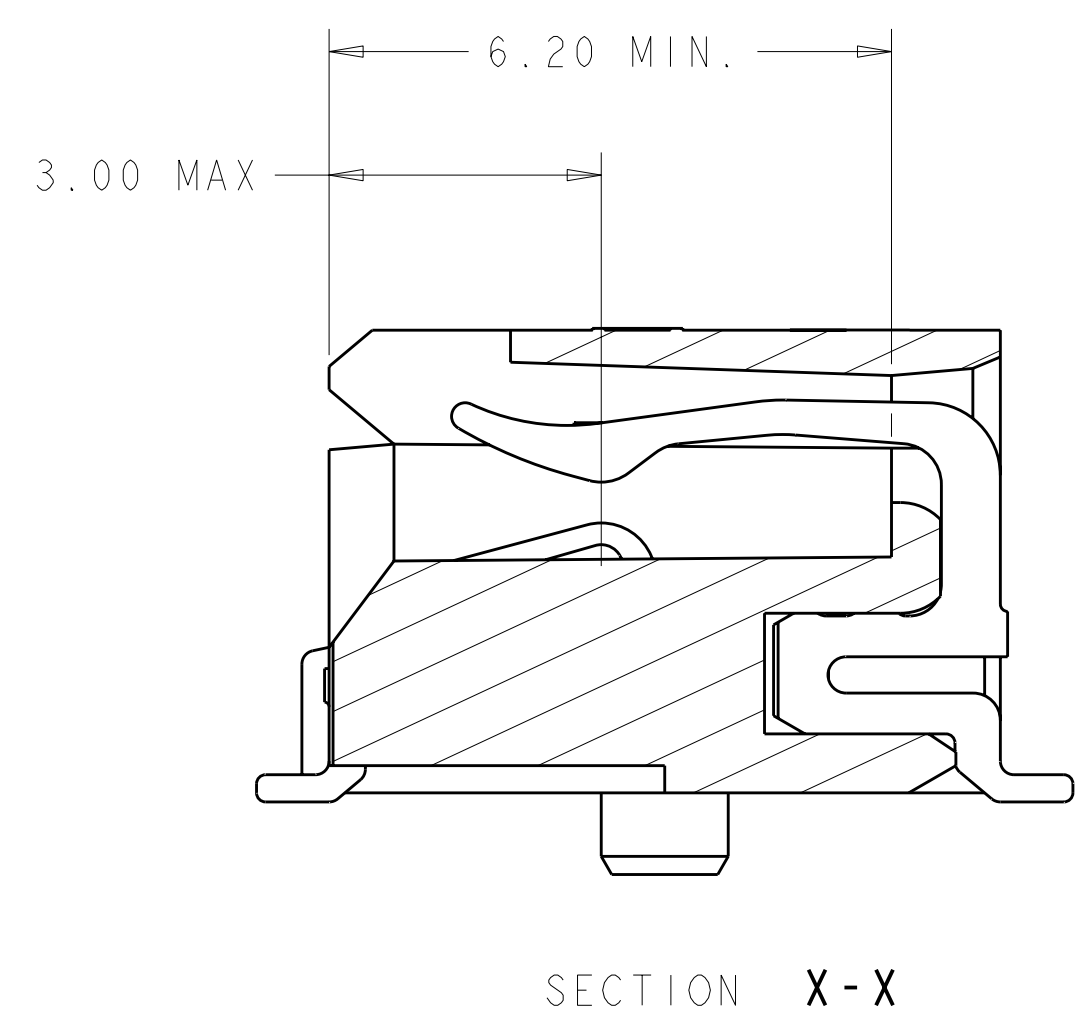
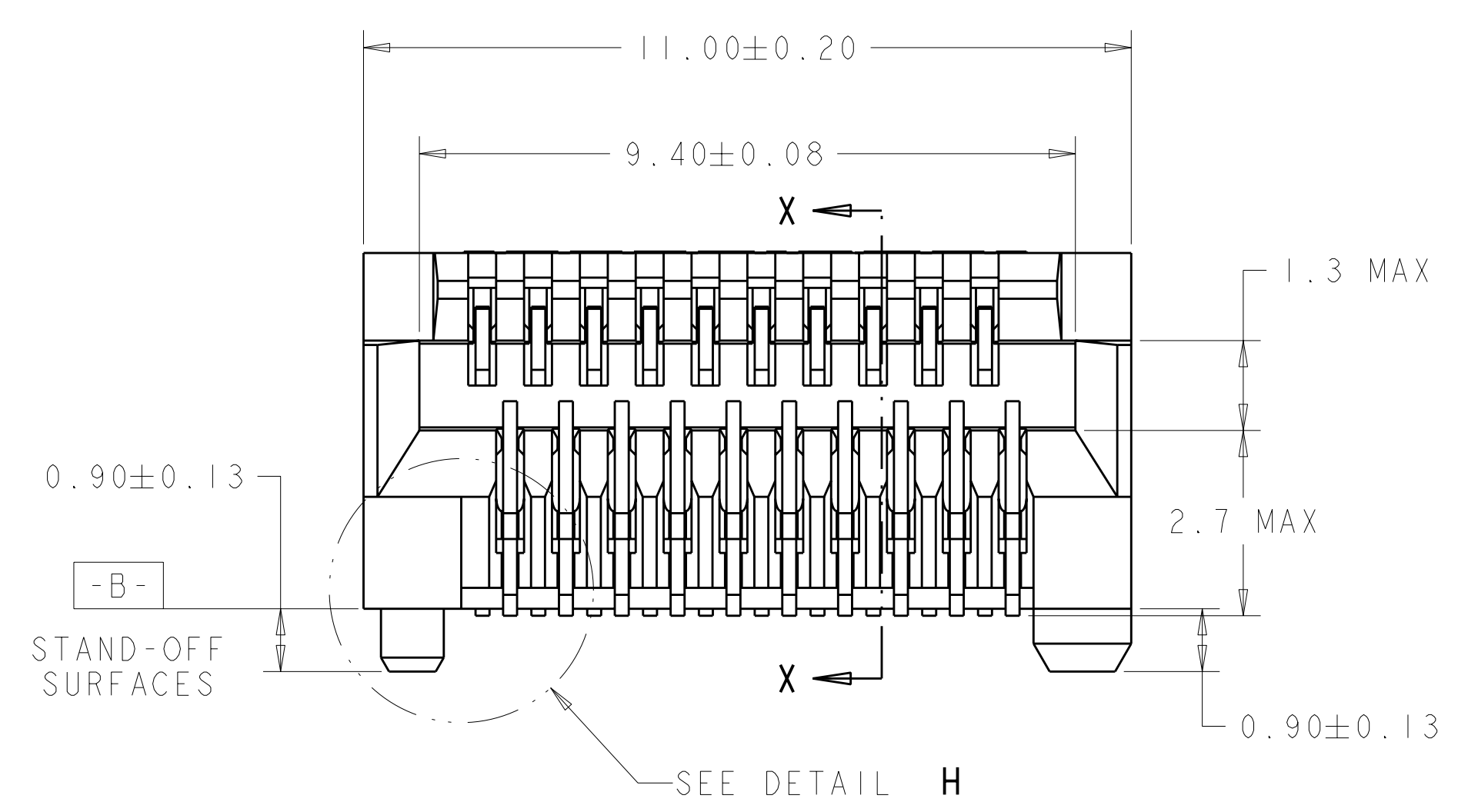
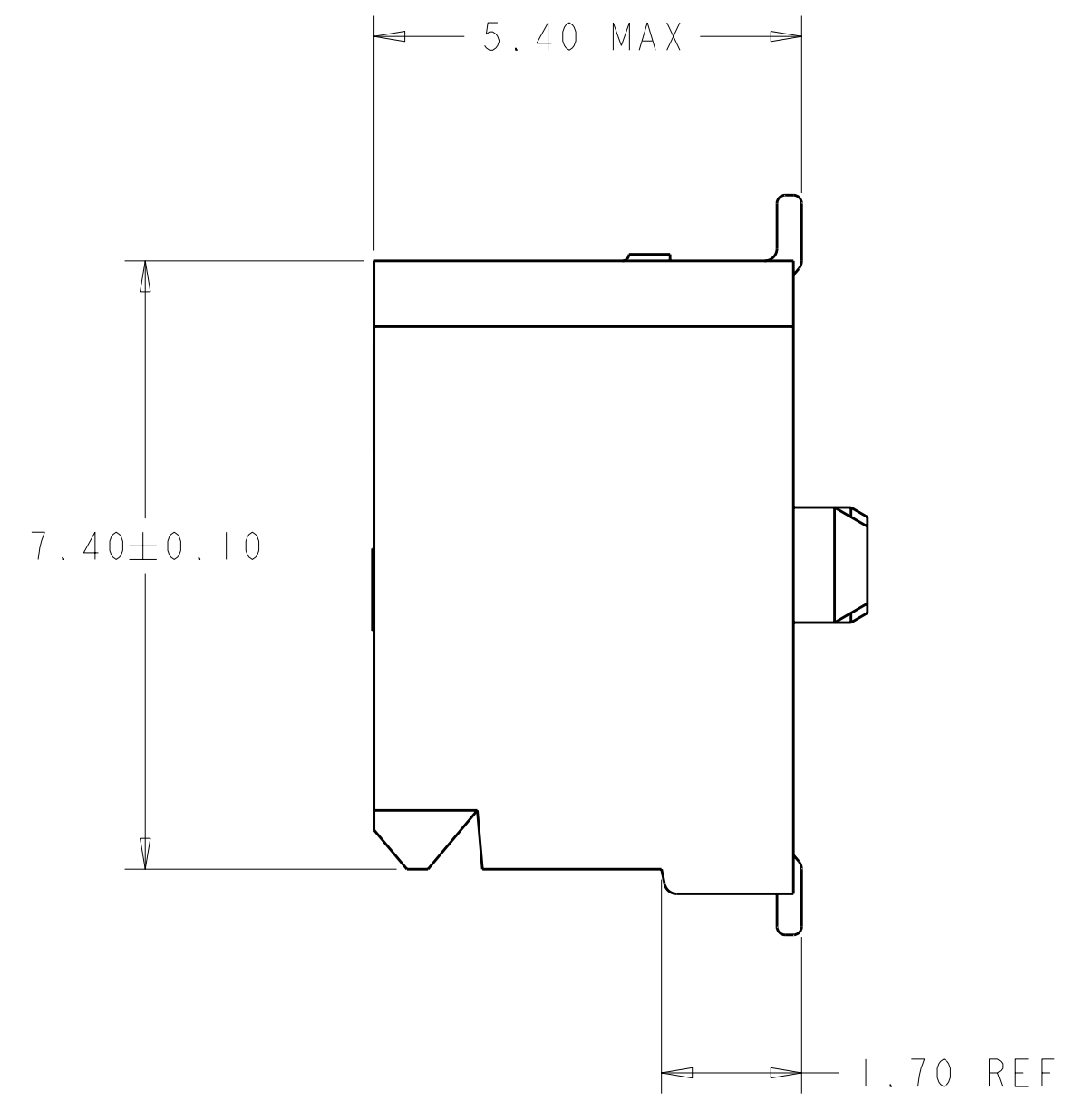
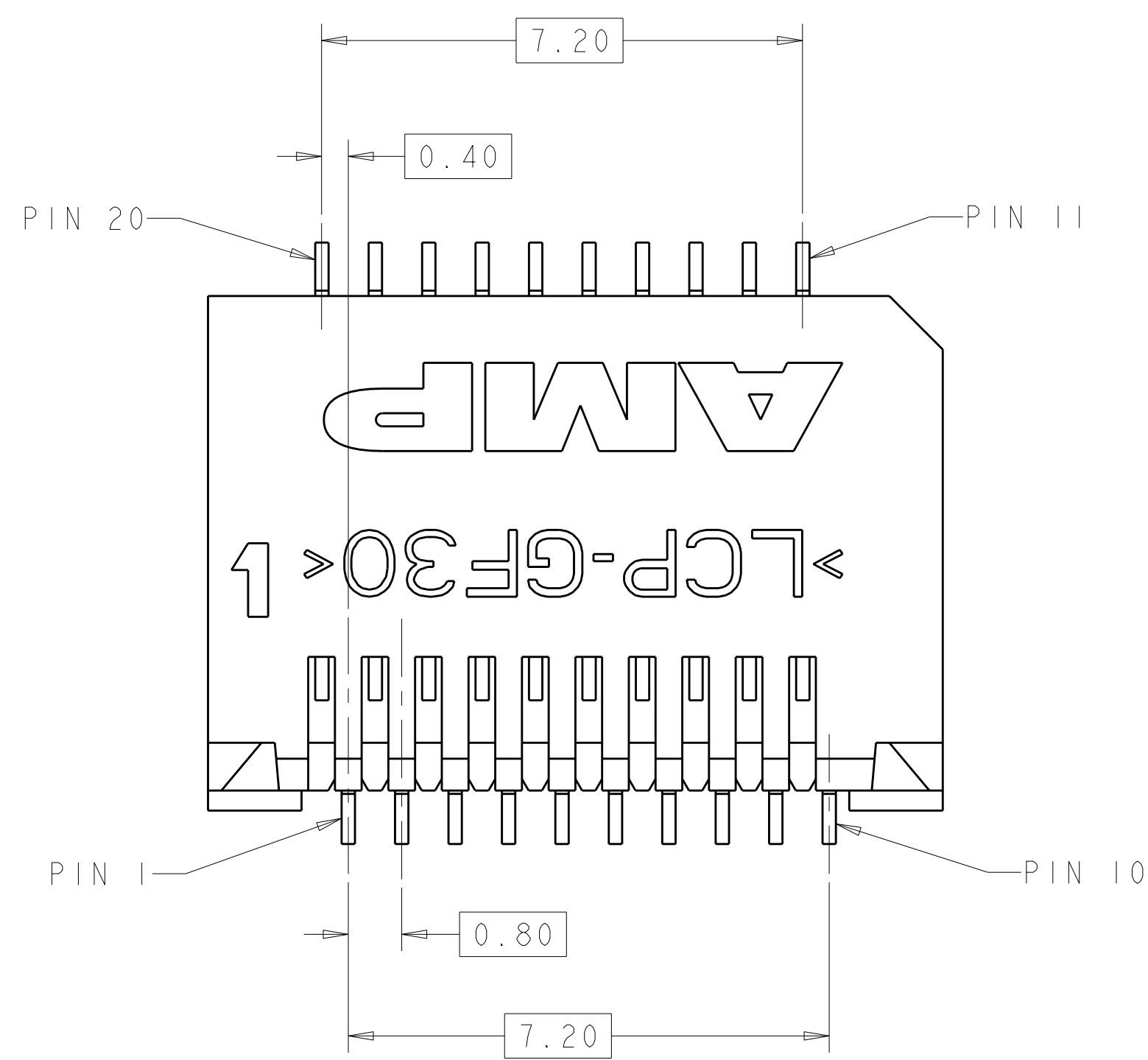


LOC	DIST	REV	DATE	BY	APPD
ES	00				
B		REVISD PER ECO-06-011603	15NOV6	BM	SS
C		REVISD PER ECR-07-007343	03APR07	BM	SS
D		REVISD PER ECR-07-019122	20JUL07	ML	SY
F		REVISD PER ECR-07-025522	25OCT07	LL	SY

- 1 MATERIAL:
HOUSING: HIGH TEMPERATURE LCP, UL 94V-0 RATED, WHITE
CONTACTS: PHOSPHOR BRONZE.
- 2 FINISH:
CONTACTS: 0.00076 MIN GOLD ON CONTACT AREA, 0.00013 MIN GOLD ON SOLDER AREA. ALL OVER 0.0038 MIN NICKEL UNDERPLATE ON ENTIRE CONTACT. LUBRICANT ON GOLD PLATE CONTACT AREAS.
- 3. PACKAGED 480 PIECES PER REEL.
- 4 DATUMS AND BASIC DIMENSIONS TO BE ESTABLISHED BY CUSTOMER; SEE DRAWING 1367034 FOR LAYOUT WHEN USED WITH 1367034-1 BOTTOM CAGE (STANDARD SFP APPLICATION).
- 5 FINISH:
CONTACTS: 0.00038 MIN GOLD ON CONTACT AREA, 0.00013 MIN GOLD ON SOLDER AREA. ALL OVER 0.0038 MIN NICKEL UNDERPLATE ON ENTIRE CONTACT. LUBRICANT ON GOLD PLATE CONTACT AREAS.



1888247-2	
1888247-1	
FINISH	PART NUMBER

DIMENSIONS: mm 9 PLC ± 1 PLC ±0.10 5 PLC ± 4 PLC ± ANGLES ±		TOLERANCES UNLESS OTHERWISE SPECIFIED: 0.10 B 0.10 M B C M D M SOLDER LEADS		DWN B MCMMASTER 14FEB06 CHK S SHUEY 14FEB06 APVD S SHUEY 14FEB06		Tyco Electronics Corporation Shanghai, P.R.China, 200233	
MATERIAL:		FINISH: -		NAME: PT CONNECTOR ASSEMBLY, 20 POS, RIGHT ANGLE, 0.8mm PITCH, SFP SFP+		SIZE: CAGE CODE DRAWING NO. RESTRICTED TO A100779 C=1888247	
CUSTOMER DRAWING				SCALE: 12:1		SHEET 1 OF 2 REV F	

