

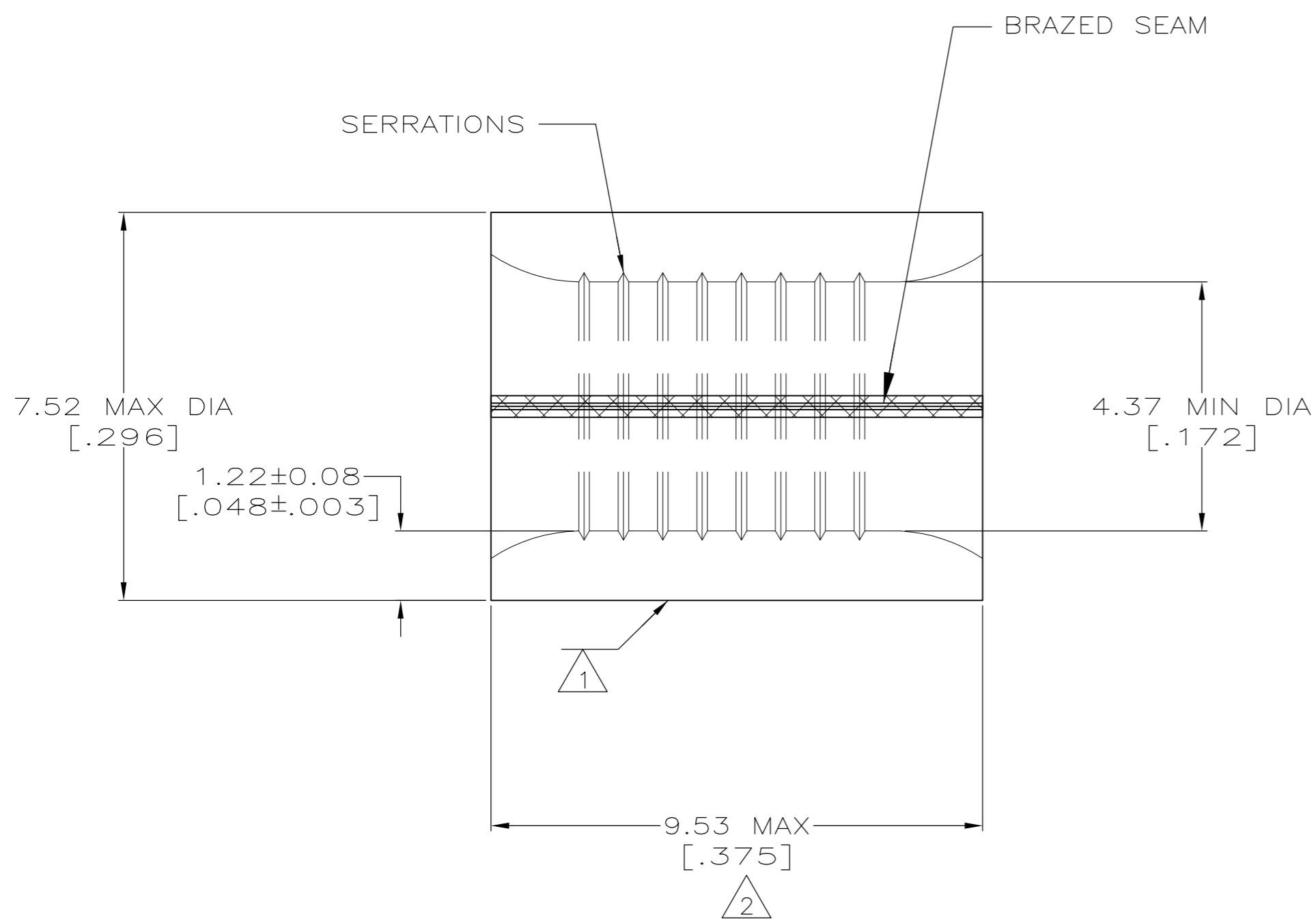
THIS DRAWING IS UNPUBLISHED. RELEASED FOR PUBLICATION
 © COPYRIGHT BY TYCO ELECTRONICS CORPORATION. ALL INTERNATIONAL RIGHTS RESERVED.

LOC	DIST	REVISIONS			
P	LTR	DESCRIPTION	DATE	DWN	APVD
G	14	L	REVISED PER ECR-10-002349	03FEB10	JR TM

AMP
WIRE RANGE

8 AWG
SOLID OR STRANDED

- 1 STAMP AMP 8W* APPROX AS SHOWN
- 2 MAXIMUM LENGTH DOES NOT INCLUDE MANUFACTURING TABS
- 3 COPPER PER ASTM B-152 ANNEALED
- 4 UL LISTED E13288, 8 AWG STRANDED.
- 5 CSA CERTIFIED LR7189, 8 AWG SOLID OR STRANDED



4 5	25	LOOSE PIECE BOX 34318	170° C	TIN PLATE 0.00254 [.000100] MIN THK PER MIL-T-10727	8-34318-3
4 5	1000	LOOSE PIECE BOX 34318	170° C	TIN PLATE 0.00254 [.000100] MIN THK PER MIL-T-10727	2-34318-3
---	---	LOOSE PIECE	343° C	NICKEL PLATE 0.01651 [.000650] MIN THK PER QQ-N-290	2-34318-1
---	---	LOOSE PIECE	170° C	TIN/LEAD (60/40) PLATE, 0.00254 [.000100] MIN THK PER SAE-AMS-P-81728	34318-1
4 5	---	LOOSE PIECE	170° C	TIN PLATE 0.00254 [.000100] MIN THK PER MIL-T-10727	34318
APPROVALS	---	LOOSE PIECE	MAX OPERATING TEMP	FINISH	PART NO

AMP INCORPORATED
CUSTOMER SERVICE SYSTEMS

MAX RECOMMENDED OPERATING TEMPERATURE:
SEE TABLE

VOLTAGE RATING:
N/A

CIRCULAR MIL AREA:
6.64-10.5mm² [13,100-20,800]
SOLID OR STRANDED

THIS DRAWING IS A CONTROLLED DOCUMENT FOR AMP INCORPORATED. IT IS SUBJECT TO CHANGE AND THE CONTROLLING ENGINEERING ORGANIZATION SHOULD BE CONTACTED FOR THE LATEST REVISION.

FOR ADDITIONAL PRODUCT INFORMATION OR COPIES OF DRAWINGS AND TECHNICAL DOCUMENTS

PRODUCT INFORMATION CENTER
1-800-522-6752

FOR APPLICATION TOOLING INFORMATION

TOOLING ASSISTANCE CENTER
1-800-722-1111

FOR ORDER ENTRY

1-800-526-5142

THIS DRAWING IS A CONTROLLED DOCUMENT.

DIMENSIONS:	TOLERANCES UNLESS OTHERWISE SPECIFIED:
INCHES	0 PLC ± -
	1 PLC ± -
	2 PLC ± -
	3 PLC ± -
	4 PLC ± -
	ANGLES ± -

MATERIAL - 3 FINISH SEE TABLE

DWN TA BRINKMAN 4-5-93	Tyco Electronics Corporation Harrisburg, PA 17105-3608
CHK DA PATTERSON 4-5-93	
APVD DA PATTERSON 4-5-93	
PRODUCT SPEC	
APPLICATION SPEC	NAME SPLICE, PARALLEL, SOLISTRAND
WEIGHT -	SIZE A2 CAGE CODE 00779 DRAWING NO C=34318 RESTRICTED TO -
CUSTOMER DRAWING	SCALE 10:1 SHEET 1 OF 1 REV L