



Piezo Buzzer

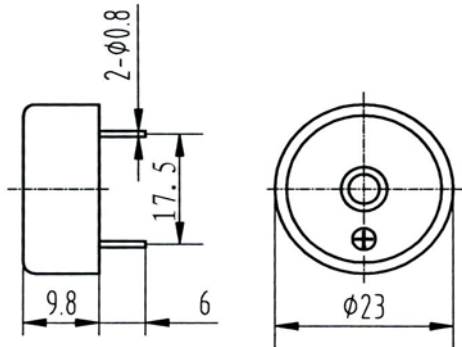
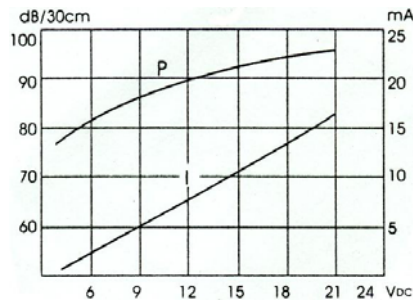
EFM-260-17.5

Rev.2**FEATURES:**

- Easy Mounting
- Small size, Low Height and Light Weight
- High Reliability

APPLICATIONS:

- Automatic Control Equipment
- Communication Equipment
- Electronic Instruments

DIMENSIONS: (Unit: mm)**CHARACTERISTICS:****ELECTRICAL SPECIFICATIONS:**

Min. Sound Pressure Level at

12V _{DC} /30cm.....	85dB(A)
Rated Voltage.....	12V _{DC}
Operating Voltage.....	3~24V _{DC}
Max. Consumption.....	12mA/12V _{DC}
Oscillating Frequency.....	3.5±0.5kHz
Tone Nature.....	Continuous
Operating Temperature.....	-20~+70°C
Case Material/Color.....	PC/Black
Weight.....	4g

PACKING INFORMATION:

Packing: 2400 pcs per export carton

Carton Size: 47 x 30.5 x 35 cm

G. Weight: 11.1 kgs N. Weight: 9.6 kgs

Address: No. 12. Lane 722. Sangtian Road Jiangdong Science Garden

Ningbo, 315040 P. R. China

Fax No: (0574) 87803761

Tel: (0574) 87805605

