
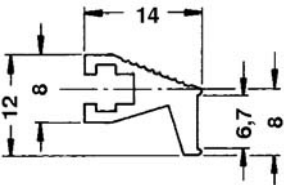



A


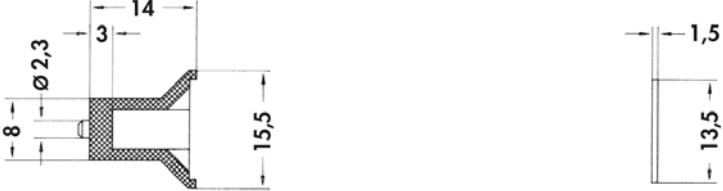
Handles for part front panels

- handles of material EN AW 6060 T66 (Al Mg Si 0.5), set of mounting material please order separately
- further colours on request
- set of fixing material consists of:
 - **GLBZ** = fixing piece, nut M 2,5 and cross drive cheese head screw
 - **GLBS** = fixing piece, nut M 2,5 and countersink screw
 - **packing unit**: 50 set/bag

							
art. no.	number of fixing pieces	HP	dim. [mm] lengths	art. no.	number of fixing pieces	HP	dim. [mm] lengths
GLA ... 03	1	3	14.7	GLA ... 14	2	14	70.6
GLA ... 04	1	4	19.8	GLA ... 16	2	16	80.8
GLA ... 05	1	5	24.9	GLA ... 20	2	20	101.1
GLA ... 06	1	6	30.0	GLA ... 21	2	21	106.2
GLA ... 07	1	7	35.1	GLA ... 24	2	24	121.4
GLA ... 08	2	8	40.1	GLA ... 28	2	28	141.7
GLA ... 09	2	9	45.2	GLA ... 40	3	40	202.7
GLA ... 10	2	10	50.3	GLA ... 84	3	84	426.2
GLA ... 12	2	12	60.5				
please indicate: ... surface SA = black anodised ME = clear anodised							

dimensioned drawing of profile **GL 7** → N 82

- handles of grey polyamide with a silvermatt anodised insert strip
- in order to ensure good fixing, the handles are made with arresting points
- incl. mounting material
- **HP** = width unit = 5,08

					
art. no.	HP	dim. [mm] lengths	art. no.	HP	dim. [mm] lengths
GLK 03	3	14.0	GLK 08	8	39.2
GLK 04	4	19.1	GLK 10	10	49.4
GLK 05	5	24.1	GLK 12	12	59.6
GLK 06	6	29.2	GLK 14	14	69.8
GLK 07	7	34.2			

M

N 67

Part front panels → N 58 – 64
 Part front panels with handle → N 59
 Part front panels with PCB holder → N 60 – 61
 Part front panels with SMD-brackets → N 63

Part front panels for EMC-applicat. → N 39 – 40
 Accessory for part front panels → N 57
 19" front panels → N 73
 19" handles → N 74 – 76

N