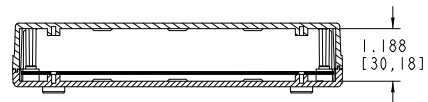
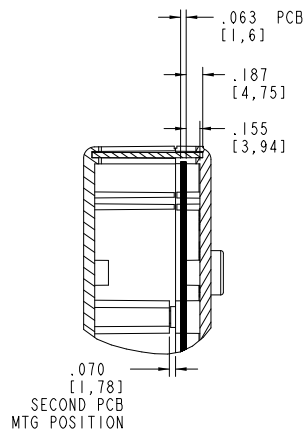
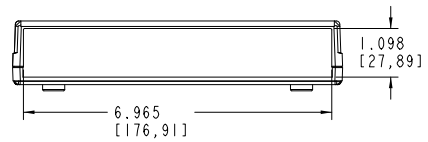


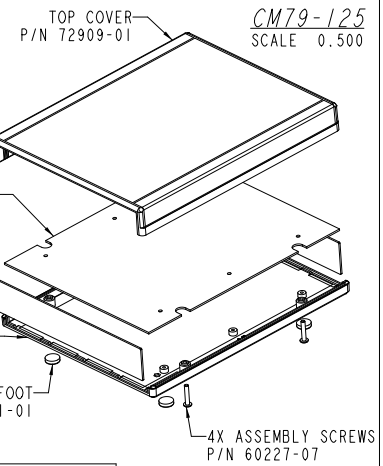
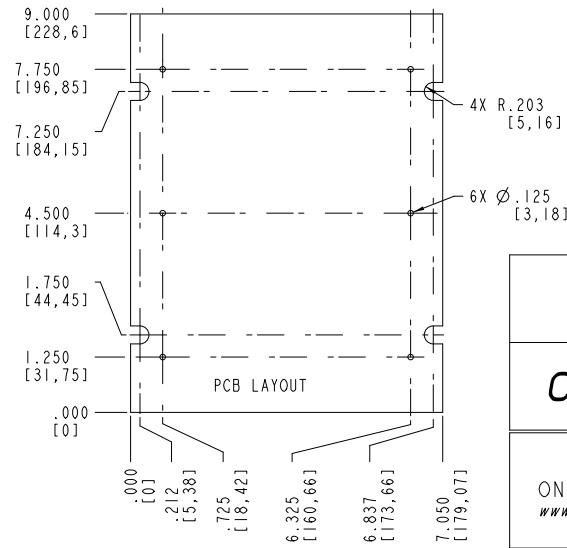
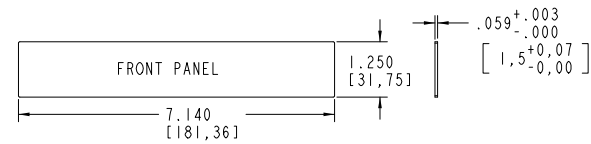
SECTION A-A



SECTION B-B



DETAIL C
SCALE 1.500



PACNTEC®
1-610-361-4200

CM79 SERIES

VISIT **PACNTEC®**
ON THE WORLD WIDE WEB
www.pactecenclosures.com

COLOR / MATERIAL CODE		
COLOR	94HB	94VO
BLACK	000	028
P. C. BONE	039	060

DRAWING NUMBER	REV
73133	C