

6

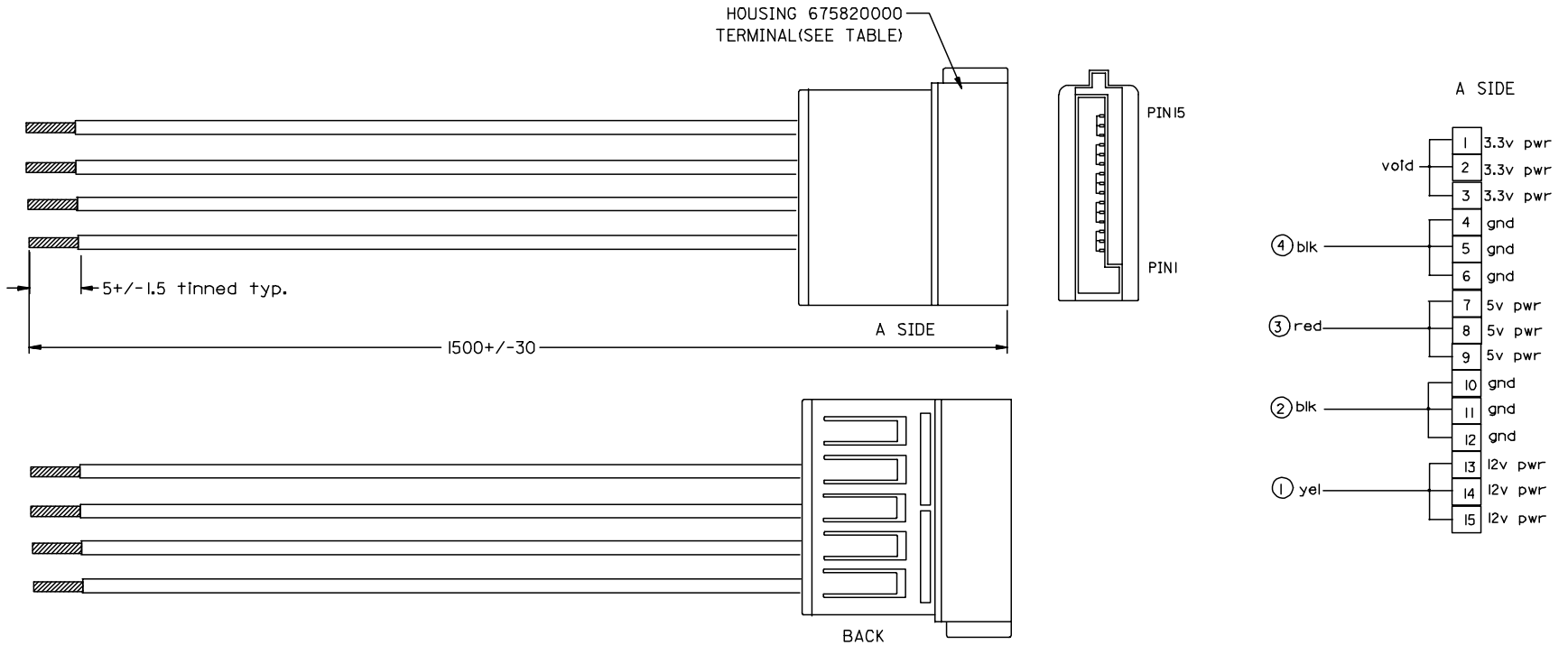
5

4

3

2

1



NOTE: 1. ELECTRIC PERFORMANCE:

▽ DIELECTRONIC STRENGTH: 500 V DC/0.01Sec.

INSULATION RESISTANCE: 100M OHMS Min.

CONDUCTIVE RESISTANCE: 2 OHMS Max.

2. HOUSING 675820000:

POLYESTER(PBT), UL94V-0(BLACK)

887511411	675810001 30L'
887511410	675810000 GOLD FLASH
MATERIAL NO.	TERMINAL

TABLE

4	UL1007 *18 BLK 887711300
3	UL1007 *18 RED 887711301
2	UL1007 *18 BLK 887711300
1	UL1007 *18 YEL 887711303
Item	WIRE TYPE

CONNECTION DIAGRAM

DIMENSIONS:		SHT	REV
<input type="checkbox"/> mm	<input type="checkbox"/> INCH		REVISE ON CAD ONLY
<input type="checkbox"/> mm	<input type="checkbox"/> INCH		

EC NO. DG2003-0009 DRWN: BENTZ 03/04/07 CHK: BENTZ 03/04/07 APPR: BOCHEN 03/04/07	EC NO. DG2003-0005 DRWN: BENTZ 02/08/08 CHK: BENTZ 02/08/08 APPR: TONY WONG 02/08/08	QUALITY SYMBOLS MAJOR CRITICAL	GENERAL TOLERANCES: (UNLESS SPECIFIED)		SCALE	DESIGN UNITS <input type="checkbox"/> mm <input type="checkbox"/> INCH	THIRD ANGLE PROJECTION	TITLE: S-ATA POWER CABLE ASSEMBLY
			4 PLACES ±0.	±.	DRAWN BY & DATE BENTZ 02/08/08	APPROVED BY & DATE Tony Wong 02/08/08		
			3 PLACES ±0.	±.	CHECKED BY & DATE Tony Wong 02/08/08		MOLEX INCORPORATED	
			2 PLACES ±0.	±.	APPROVED BY & DATE Tony Wong 02/08/08		DRAWING NO. SD-88755-002	
			1 PLACE ±0.	±.	CAD FILENAME S88755AB.S01		SHEET NO. 1 OF 1	
			ANGULAR: ± 0		MATERIAL NO. SEE TABLE		THIS DRAWING CONTAINS INFORMATION THAT IS PROPRIETARY TO MOLEX INCORPORATED AND SHOULD NOT BE USED WITHOUT WRITTEN PERMISSION.	
B	A	REV	DESCRIPTION		SIZE A4			

6

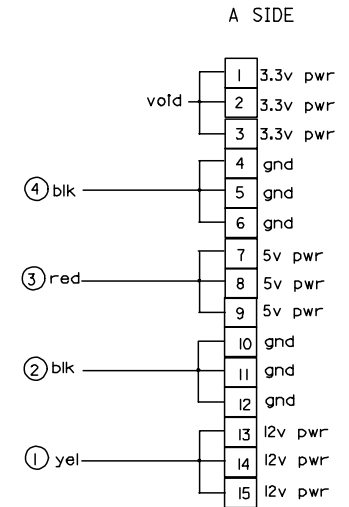
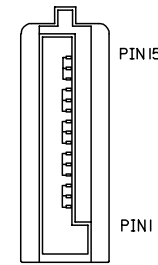
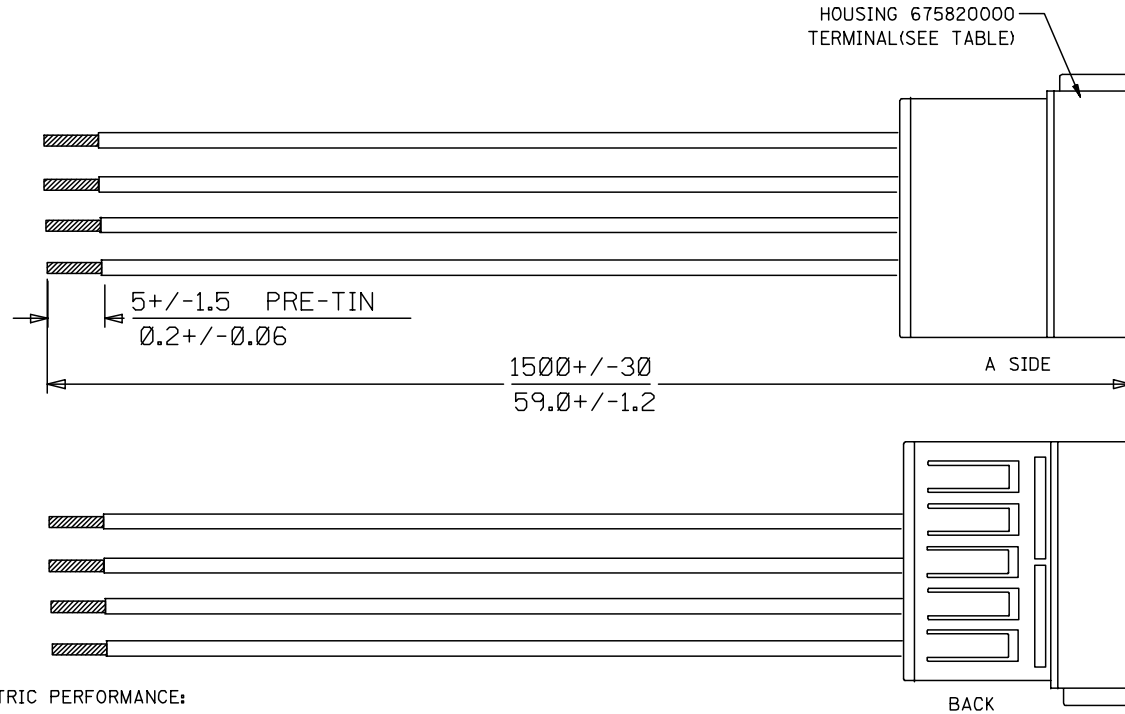
5

4

3

2

1



NOTE: 1. ELECTRIC PERFORMANCE:  
DIELECTRIC STRENGTH: 500 V DC/0.01Sec.  
INSULATION RESISTANCE: 100M OHMS Min.  
CONDUCTIVE RESISTANCE: 2 OHMS Max.

2. HOUSING 675820000:  
POLYESTER(PBT), UL94V-0(BLACK)

887511411	675810001 30u" Gold-plated
887511410	675810000 GOLD FLASH
MATERIAL NO.	TERMINAL

4	UL1007 *18 BLK 887711300
3	UL1007 *18 RED 887711301
2	UL1007 *18 BLK 887711300
1	UL1007 *18 YEL 887711303
Item	WIRE TYPE

CONNECTION DIAGRAM

EC NO. DRWN: Louis 04/03/23 CHK: APPR:	EC NO. DG2003-0009 DRWN: BENTZ 03/04/07 CHK: BENTZ 03/04/07 APPR: BOCHEN 03/04/07	EC NO. DG2003-0005 DRWN: BENTZ 02/08/08 CHK: BENTZ 02/08/08 APPR: TONY 02/08/08	REV DESCRIPTION
C	B	A	MAJOR ▼ = 0 CRITICAL ▽ = 0

GENERAL TOLERANCES: (UNLESS SPECIFIED)		SCALE	DESIGN UNITS
	mm INCH		<input checked="" type="checkbox"/> mm <input type="checkbox"/> INCH
4 PLACES	±0. ±.	DRAWN BY & DATE	BENTZ 02/08/08
3 PLACES	±0. ±.	CHECKED BY & DATE	Tony Wong 02/08/08
2 PLACES	±0. ±.	APPROVED BY & DATE	Tony Wong 02/08/08
1 PLACE	±0. ±.	ANGULAR: ± °	

THIRD ANGLE PROJECTION		DIMENSIONS: <input checked="" type="checkbox"/> mm <input type="checkbox"/> INCH <input type="checkbox"/> mm ONLY		SHT	REV
TITLE: S-ATA POWER +0 PIGTAIL CABLE ASSEMBLY 1.5M (5V+12V)		MATERIAL NO. SEE TABLE		DRAWING NO. SD-88755-002	SHEET NO. 1 OF 1
MOLEX INCORPORATED		CAD FILENAME S88755AB.S01		THIS DRAWING CONTAINS INFORMATION THAT IS PROPRIETARY TO MOLEX INCORPORATED AND SHOULD NOT BE USED WITHOUT WRITTEN PERMISSION.	
				SIZE A4	