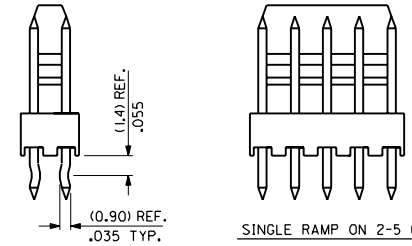
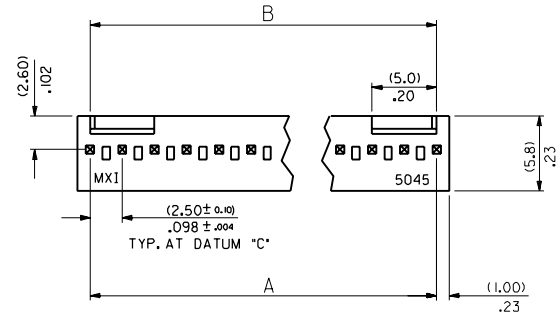
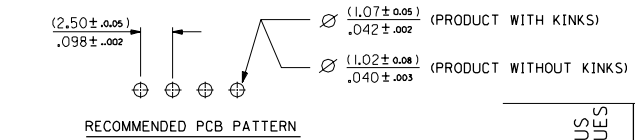
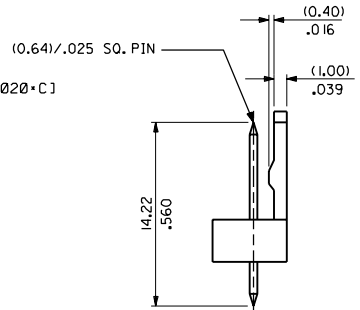
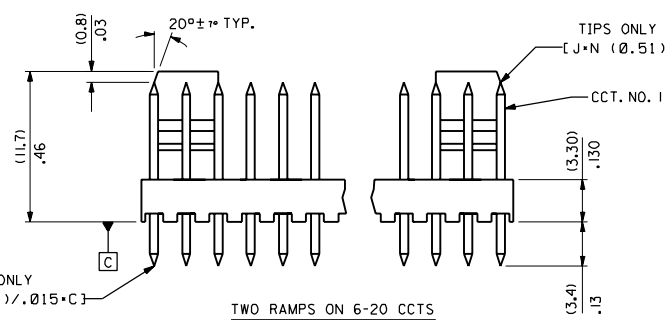


20	(47.50 ±0.01) 1.870 ±.004	(47.50 ±0.01) 1.870 ±.004
19	(45.00 ±0.01) 1.772 ±.004	(45.00 ±0.01) 1.772 ±.004
18	(42.50 ±0.01) 1.673 ±.004	(42.50 ±0.01) 1.673 ±.004
17	(40.00 ±0.01) 1.574 ±.004	(40.00 ±0.01) 1.574 ±.004
16	(37.50 ±0.01) 1.476 ±.004	(37.50 ±0.01) 1.476 ±.004
15	(35.00 ±0.01) 1.378 ±.004	(35.00 ±0.01) 1.378 ±.004
14	(32.50 ±0.01) 1.280 ±.004	(32.50 ±0.01) 1.280 ±.004
13	(30.00 ±0.01) 1.181 ±.004	(30.00 ±0.01) 1.181 ±.004
12	(27.50 ±0.01) 1.083 ±.004	(27.50 ±0.01) 1.083 ±.004
11	(25.00 ±0.01) .984 ±.004	(25.00 ±0.01) .984 ±.004
10	(22.50 ±0.01) .886 ±.004	(22.50 ±0.01) .886 ±.004
9	(20.00 ±0.01) .787 ±.004	(20.00 ±0.01) .787 ±.004
8	(17.50 ±0.01) .689 ±.004	(17.50 ±0.01) .689 ±.004
7	(15.00 ±0.01) .591 ±.004	(15.00 ±0.01) .591 ±.004
6	(12.50 ±0.01) .492 ±.004	(12.50 ±0.01) .492 ±.004
5	(10.00 ±0.01) .394 ±.004	(10.00 ±0.01) .394 ±.004
4	(7.50 ±0.01) .295 ±.004	(7.50 ±0.01) .295 ±.004
3	(5.00 ±0.01) .197 ±.004	(5.00 ±0.01) .197 ±.004
2	(2.50 ±0.01) .098 ±.004	(2.50 ±0.01) .098 ±.004
CCT. NO.	DIMN. A	DIMN. B

PART NO. SEE CHART
Dwg No. SDA-5045-N***



OPPOSING KINKS
(ON 2 CCTS PARTS ONLY)

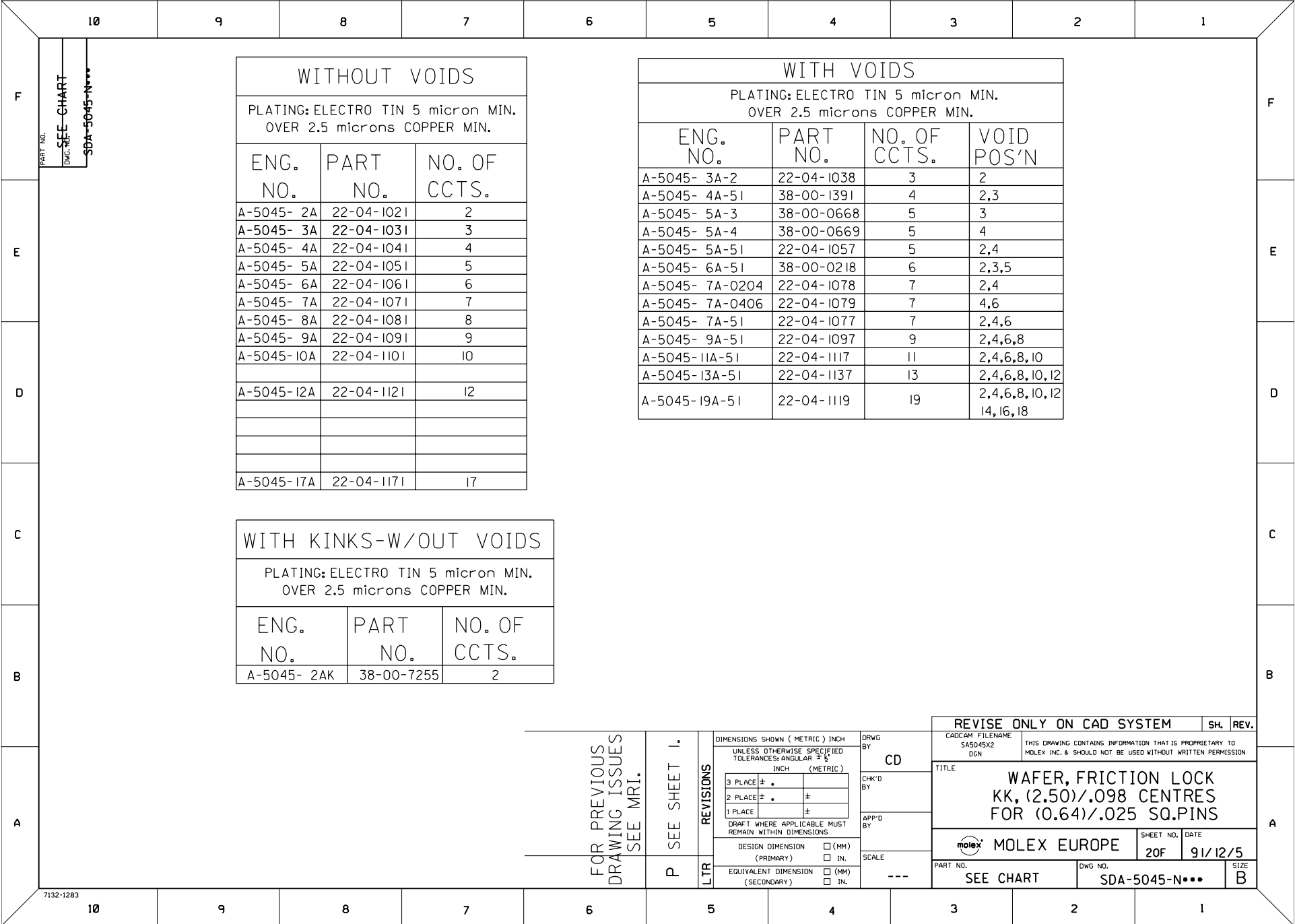


NOTES:
1. MATERIALS:
WAFFER: NYLON, 94V-0.
TERMINAL PIN: BRASS
FINISH: SEE CHARTS ON SHEET 2 & SUBSEQUENT SHEETS
2. PINS MUST MEET MOLEX SOLDERABILITY SPEC. ES-152
3. PIN PUSH-OUT FORCE (0.907 KG)/2 lbs MIN.

5045-N ***
BASE NUMBER
NO. OF CCTS.
VOID POS'N
BLANK - NO VOIDS
KINKS: K-WITH KINKS
BLANK-WITHOUT KINKS
ASSEMBLY
VERSION

3	N
2	P
1	P

FOR PREVIOUS DRAWING ISSUES SEE MRL.		PART NO. CORRECTION ECN ELDIAT 93.04.01 W.G.F	REVISIONS	DIMENSIONS SHOWN (METRIC) INCH UNLESS OTHERWISE SPECIFIED TOLERANCES IN INCH & METRIC	DRWG BY CD	CAD/CAM FILE NAME S450451 DGN	THIS DRAWING CONTAINS INFORMATION THAT IS PROPRIETARY TO MOLEX INC. & SHOULD NOT BE USED WITHOUT WRITTEN PERMISSION
				3 PLACE # ±.00 2 PLACE # ±.06 ±.025 1 PLACE # ±.040 SHRIFT WHERE APPLICABLE MUST REMAIN WITHIN DIMENSIONS		TITLE	
				DESIGN DIMENSION (PRIMARY) <input type="checkbox"/> IN. <input type="checkbox"/> MM EQUIVALENT DIMENSION (SECONDARY) <input type="checkbox"/> IN. <input type="checkbox"/> MM	APPRD BY	WAFFER, FRICTION LOCK KK, (2.50) / .098 CENTRES FOR (0.64) / .025 SQ. PINS	
					SCALE 4:1	MOLEX EUROPE	SHEET NO. DATE 10F3 9/12/5
						SEE CHART	PART NO. DWG NO. SIZE SDA-5045-N*** C



PART NO.
 SEE CHART
 DWG. NO.
 SDA-5045-N***

WITHOUT VOIDS		
PLATING: ELECTRO TIN 5 micron MIN. OVER 2.5 microns COPPER MIN.		
ENG. NO.	PART NO.	NO. OF CCTS.
A-5045- 2A	22-04-1021	2
A-5045- 3A	22-04-1031	3
A-5045- 4A	22-04-1041	4
A-5045- 5A	22-04-1051	5
A-5045- 6A	22-04-1061	6
A-5045- 7A	22-04-1071	7
A-5045- 8A	22-04-1081	8
A-5045- 9A	22-04-1091	9
A-5045-10A	22-04-1101	10
A-5045-12A	22-04-1121	12
A-5045-17A	22-04-1171	17

WITH VOIDS			
PLATING: ELECTRO TIN 5 micron MIN. OVER 2.5 microns COPPER MIN.			
ENG. NO.	PART NO.	NO. OF CCTS.	VOID POS'N
A-5045- 3A-2	22-04-1038	3	2
A-5045- 4A-51	38-00-1391	4	2,3
A-5045- 5A-3	38-00-0668	5	3
A-5045- 5A-4	38-00-0669	5	4
A-5045- 5A-51	22-04-1057	5	2,4
A-5045- 6A-51	38-00-0218	6	2,3,5
A-5045- 7A-0204	22-04-1078	7	2,4
A-5045- 7A-0406	22-04-1079	7	4,6
A-5045- 7A-51	22-04-1077	7	2,4,6
A-5045- 9A-51	22-04-1097	9	2,4,6,8
A-5045-11A-51	22-04-1117	11	2,4,6,8,10
A-5045-13A-51	22-04-1137	13	2,4,6,8,10,12
A-5045-19A-51	22-04-1119	19	2,4,6,8,10,12 14,16,18

WITH KINKS-W/OUT VOIDS		
PLATING: ELECTRO TIN 5 micron MIN. OVER 2.5 microns COPPER MIN.		
ENG. NO.	PART NO.	NO. OF CCTS.
A-5045- 2AK	38-00-7255	2

FOR PREVIOUS DRAWING ISSUES SEE MRI.

P SEE SHEET I.

LTR	REVISIONS	DIMENSIONS SHOWN (METRIC) INCH UNLESS OTHERWISE SPECIFIED TOLERANCES: ANGULAR ± 1/2° INCH (METRIC) 3 PLACE # . # # 2 PLACE # . # 1 PLACE # # DRAFT WHERE APPLICABLE MUST REMAIN WITHIN DIMENSIONS	DRWG BY CD CHK'D BY APP'D BY SCALE ---
	DESIGN DIMENSION (PRIMARY)	<input type="checkbox"/> (MM) <input type="checkbox"/> IN.	
EQUIVALENT DIMENSION (SECONDARY)	<input type="checkbox"/> (MM) <input type="checkbox"/> IN.		

REVISE ONLY ON CAD SYSTEM		SH.	REV.
CAD/CAM FILENAME SAS045X2 DCN	THIS DRAWING CONTAINS INFORMATION THAT IS PROPRIETARY TO MOLEX INC. & SHOULD NOT BE USED WITHOUT WRITTEN PERMISSION		
TITLE WAFER, FRICTION LOCK KK, (2.50)/.098 CENTRES FOR (0.64)/.025 SQ.PINS			
MOLLEX EUROPE		SHEET NO. 20F	DATE 91/12/5
PART NO. SEE CHART	DWG NO. SDA-5045-N***	SIZE B	