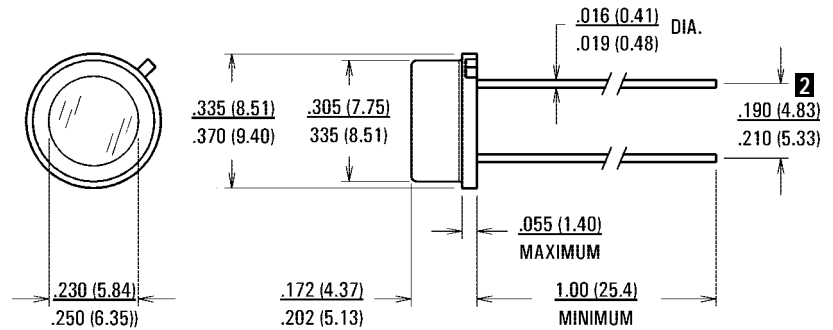




## PACKAGE DIMENSIONS inch (mm)



## ABSOLUTE MAXIMUM RATINGS

| Parameter   | Symbol                           | Rating     | Units       |
|---|----------------------------------|------------|-------------|
| Continuous Power Dissipation<br>Derate Above 25°C | $P_D$<br>$\Delta P_D / \Delta T$ | 125<br>2.5 | mW<br>mW/°C |
| Temperature Range<br>Operating and Storage        | $T_A$                            | -40 to +75 | °C          |

## ELECTRO-OPTICAL CHARACTERISTICS @ 25°C (16 hrs. light adapt, min.) 4

| Part Number | Resistance (Ohms) 3 6 |       |       |                |       |      | Material Type | Sensitivity ( $\gamma$ , typ.)<br><small><math>\frac{OG (R_{10}/R_{100})}{LOG (100/I_0)}</math></small> | Maximum Voltage (V, pk) | Response Time @ 1 fc (ms, typ.) |            |
|-------------|-----------------------|-------|-------|----------------|-------|------|---------------|---|-------------------------|---------------------------------|------------|
|             | 10 lux<br>2850 K      |       |       | 2 fc<br>2850 K | Dark  |      |               |   |                         | Rise (1-1/e)                    | Fall (1/e) |
|             | Min.                  | Typ.  | Max.  | Typ.           | Min.  | sec. |               |   |                         |                                 |            |
| VT3ØN1      | 6 k                   | 12 k  | 18 k  | 6 k            | 200 k | 5    | Ø             | 0.75  | 100                     | 78                              | 8          |
| VT3ØN2      | 12 k                  | 24 k  | 36 k  | 12 k           | 500 k | 5    | Ø             | 0.80  | 200                     | 78                              | 8          |
| VT3ØN3      | 24 k                  | 48 k  | 72 k  | 24 k           | 1 M   | 5    | Ø             | 0.80  | 200                     | 78                              | 8          |
| VT3ØN4      | 50 k                  | 100 k | 150 k | 50 k           | 2 M   | 5    | Ø             | 0.80  | 300                     | 78                              | 8          |
| VT33N1      | 20 k                  | 40 k  | 60 k  | 20 k           | 500 k | 5    | 3             | 0.90  | 100                     | 35                              | 5          |
| VT33N2      | 40 k                  | 80 k  | 120 k | 40 k           | 1 M   | 5    | 3             | 0.90  | 200                     | 35                              | 5          |
| VT33N3      | 80 k                  | 160 k | 240 k | 80 k           | 2 M   | 5    | 3             | 0.90  | 200                     | 35                              | 5          |

See page 13 for notes.