

## 1734592 FPC Connector Family

### General Description:

As the demands for higher density packaging of electronic equipment increases, the use of flexible printed circuits (FPC) to reduce size, weight and assembly costs has expanded. FPC is finding wide acceptance in the computer industry, particularly in such applications as Lap Top, Notebook, Palm Top and Note Pad Computers. Other markets include: Disk Drives, Printers, Plotters, Copiers, Cellular Phones, and Medical Equipment.

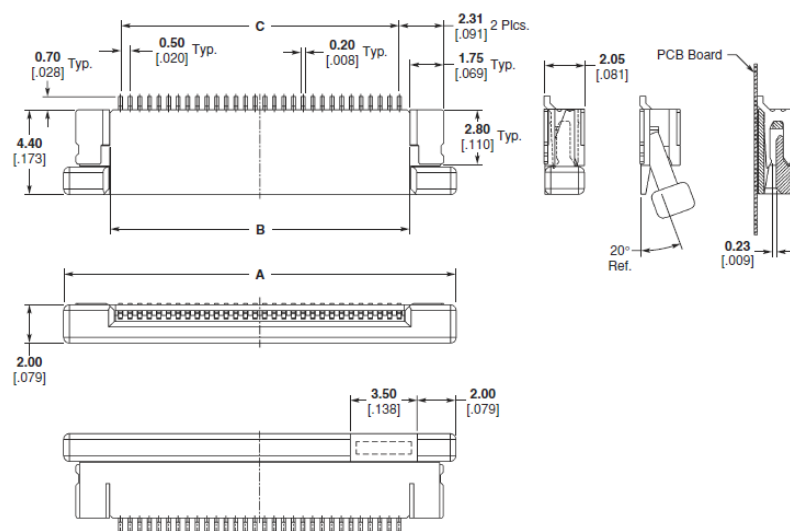


Tyco Electronics FPC connectors have

been developed to meet the challenges of this expanding market. Available in centreline spacings 0.3 [.012], 0.5 [.020], 1.0 [.039], and 1.25 [.049] all incorporating low profile and light-weight features

### Features:

- Available in ZIF and non-ZIF
- Available in 0.3, 0.5, 1.0, and 1.25mm Centerlines
- Available Tin-Lead or Lead-Free
- SMT, Thu-Hole, Vertical and Right-Angle
- Right-Angle Available Top or Bottom Contact



## Applications:

General applications include

- Lap Top
- Notebook
- Palm Top
- Note Pad Computers.

Other markets include:

- Disk Drives
- Printers
- Plotters
- Copiers
- Cellular Phones
- Medical Equipment

## Related Products Information:

Mfr Part #	Farnell #	Newark #	Description
1734592-8	1815037	17R4939	FPC CONN. 0.5MM PITCH B/C, 8 Positions
1-1734592-0	1815309	16R9527	FPC CONN. 0.5MM PITCH B/C, 10 Positions
1-1734592-2	1815310	16R9529	FPC CONN. 0.5MM PITCH B/C, 12 Positions
1-1734592-4	1815311	16R9531	FPC CONN. 0.5MM PITCH B/C, 14 Positions
1-1734592-6	1815312	16R9533	FPC CONN. 0.5MM PITCH B/C, 16 Positions
1-1734592-8	1815314	16R9535	FPC CONN. 0.5MM PITCH B/C, 18 Positions
2-1734592-0	1815117	50P9432	FPC CONN. 0.5MM PITCH B/C, 20 Positions
2-1734592-4	1815043	17R7049	FPC CONN. 0.5MM PITCH B/C, 24 Positions
2-1734592-8	1815044	17R7053	FPC CONN. 0.5MM PITCH B/C, 28 Positions
3-1734592-0	1815894	18R0274	FPC CONN. 0.5MM PITCH B/C, 30 Positions
3-1734592-6	1815895	18R0280	FPC CONN. 0.5MM PITCH B/C, 36 Positions
4-1734592-0	1815904	18R4220	FPC CONN. 0.5MM PITCH B/C, 40 Positions
5-1734592-0	1815907	18R9001	FPC CONN. 0.5MM PITCH B/C, 50 Positions