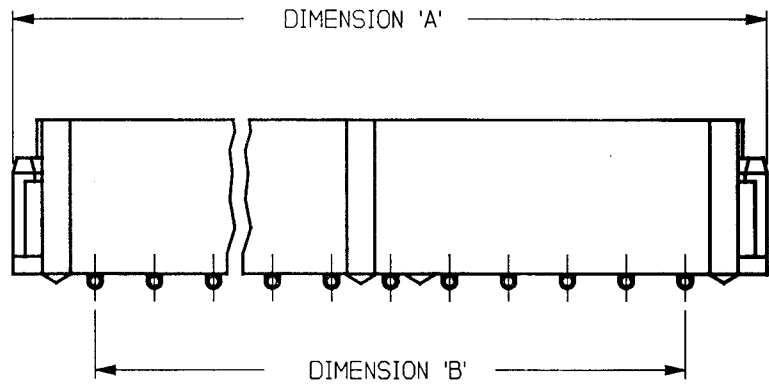
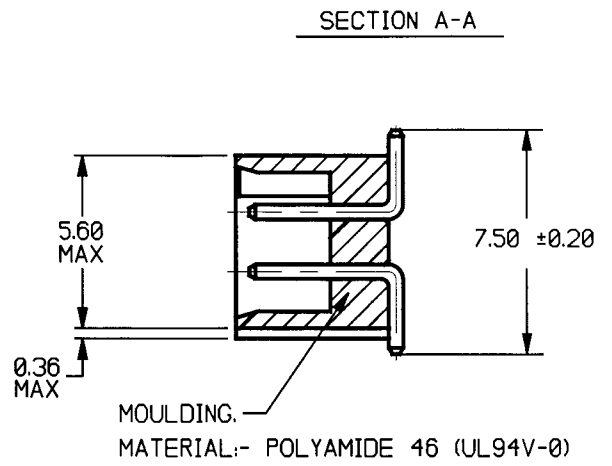
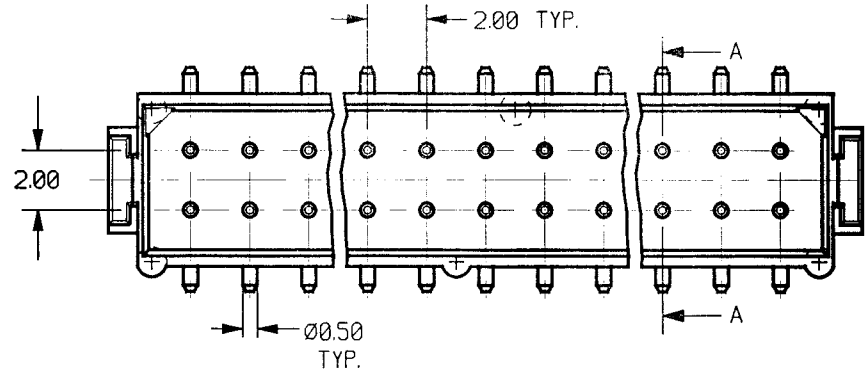


CONTACT MATERIAL:-  
PHOSPHOR BRONZE PB102  
FINISH:-  
01 = TIN/LEAD CONTACT  
05 = GOLD CONTACT  
22 = SELECTIVE GOLD



No. OF CONTACTS	DIM. 'A' MAX.	DIM. 'B'
4	7.55	2.00
6	9.55	4.00
8	11.55	6.00
10	13.55	8.00
12	15.55	10.00
14	17.55	12.00
16	19.55	14.00
18	21.55	16.00
20	23.55	18.00
26	29.55	24.00
34	37.55	32.00
44	47.55	42.00

CUSTOMER INFORMATION SHEET

ORDER CODE  
**M80-826XXXX**  
No. OF CONTACTS (SEE TABLE)  
FINISH:  
01 - TIN/LEAD  
05 - GOLD  
22 - SELECTIVE GOLD

A	9.394	
ISS.	DATE	C/N
DRAWN: I.SANDY		
CHECKED: <i>[Signature]</i>		
APPD: <i>[Signature]</i>		
CUSTOMER REF.		
ASSEMBLY DRG:		



HARWIN PLC U.K. TEL: (0705) 370451 FAX: (0705) 324010	HARWIN INC U.S.A. TEL: (812) 285-0055 FAX: (812) 285-0056	HARWIN PTE SINGAPORE TEL: 7794909 FAX: 7793868
--	--	---

TOLERANCES	
X.	±1mm
X.X	±0.25mm
X.XX	±0.10mm
X.XXX	±0.01mm
ANGLES	±1°

MATERIAL:  
SEE ABOVE  
FINISH: SEE ABOVE  
S/AREA: mm<sup>2</sup>

TITLE:  
PLUG ASSY. VERTICAL P.C.  
TAIL DOUBLE ROW (UNLATCHED)  
DRAWING NUMBER:  
**M80-826XXXX**  
SHT. 2 OF 2

