

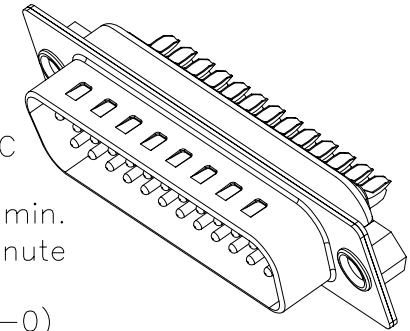
Specifications:  
 Current rating:3.0A AC,DC  
 Voltage rating:250V AC,DC  
 Temperature range:-40°C ~ +85°C  
 Contact resistance:30mohm max.  
 Insulation resistance: 5,000Mohm min.  
 Withstanding voltage:1,000V AC/Minute  
 Materials:

Insulator:High temp.plastic (UL94V-0)  
 Contact:Copper alloy Nickel Undercoated,  
 Selective Gold plated  
 Finish:Metal Iron with Tin plated

How To Order  
 5501-XXPA-XX-XX-XXF1

- Lead Free
- Blank:White(Standard Color)
- BK:Black; BU:Blue
- Blank:Standard type
- CS:Rear Rivet
- CC:Front Rivet
- 01:Full Gold Plated
- 02:Selective Gold
- PA:Stamp Pin Male
- No.Of Positions


Pos	A	B	C	D	E
9	16.92	24.99	30.81	8.38	12.50
15	25.25	33.32	39.14	8.38	12.50
25	38.96	47.04	53.04	8.38	12.50
37	55.42	63.50	69.32	8.38	12.50
50	52.81	61.11	66.93	11.07	15.37



RoHS Compliant

F				DRAWN: Cel King
E				CHECKED: JEREMY LIU
D				APPROVAL: MIKE WU
C				
B				
A	19-Aug-2005	(PC0052)	Cel King	
REV	DATE	FILE	BY	

GENERAL TOLERANCE: .X=±0.2 .XX=±0.15
UNIT: MM
SCALE: 1:1
SHEET: 1 / 1
PROJECTION:



**繼德工業股份有限公司**  
**Neltron Industrial Co., Ltd.**

DESCRIPTION:  
D-SUB Solder Male Stamp Pin Type

PART NO:  
5501-XXPA-XX-XX-XXF1

SIZE  
**A4**