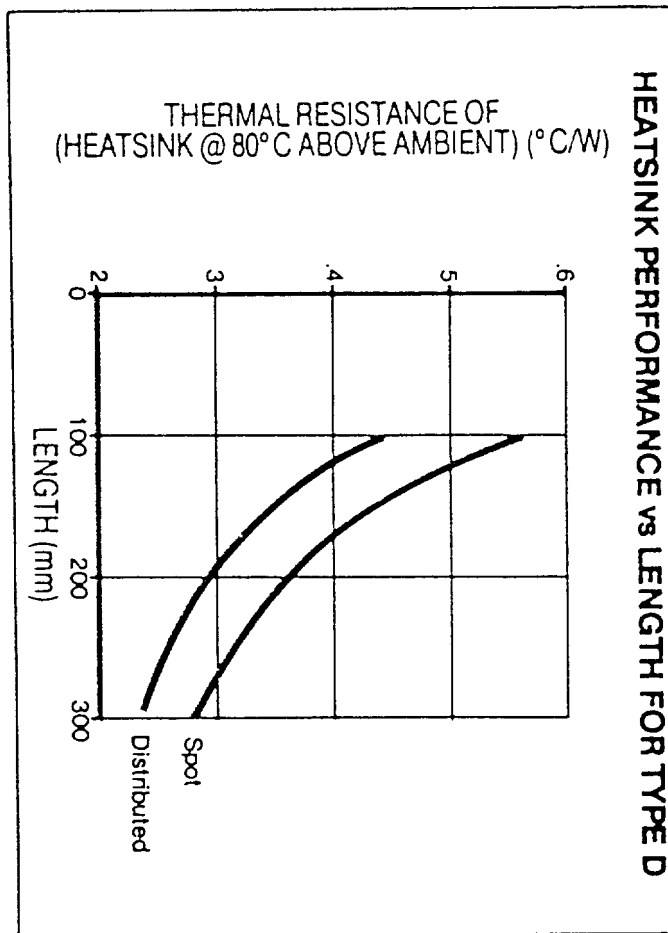
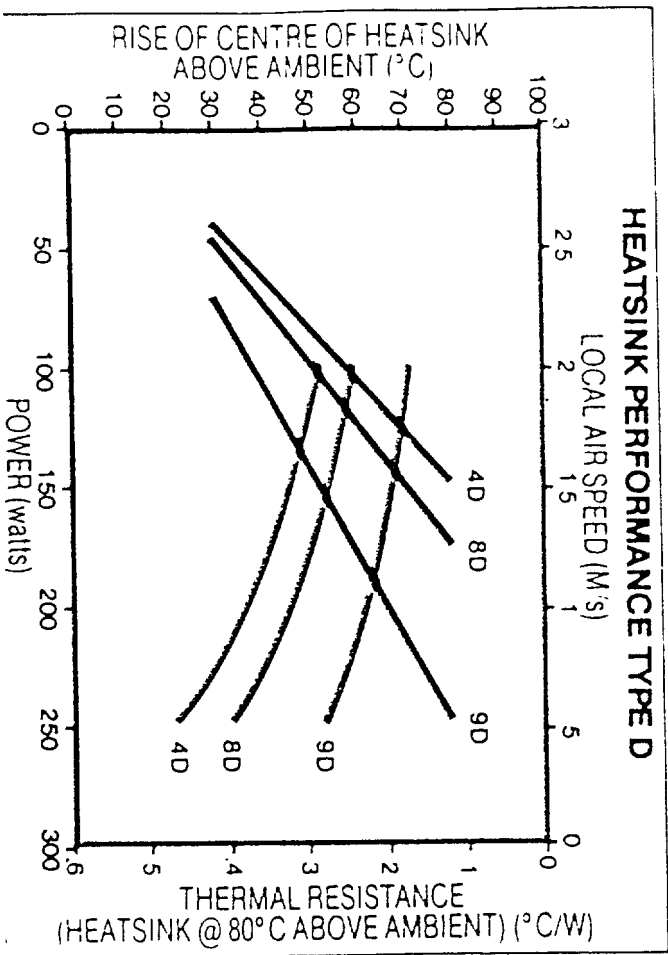


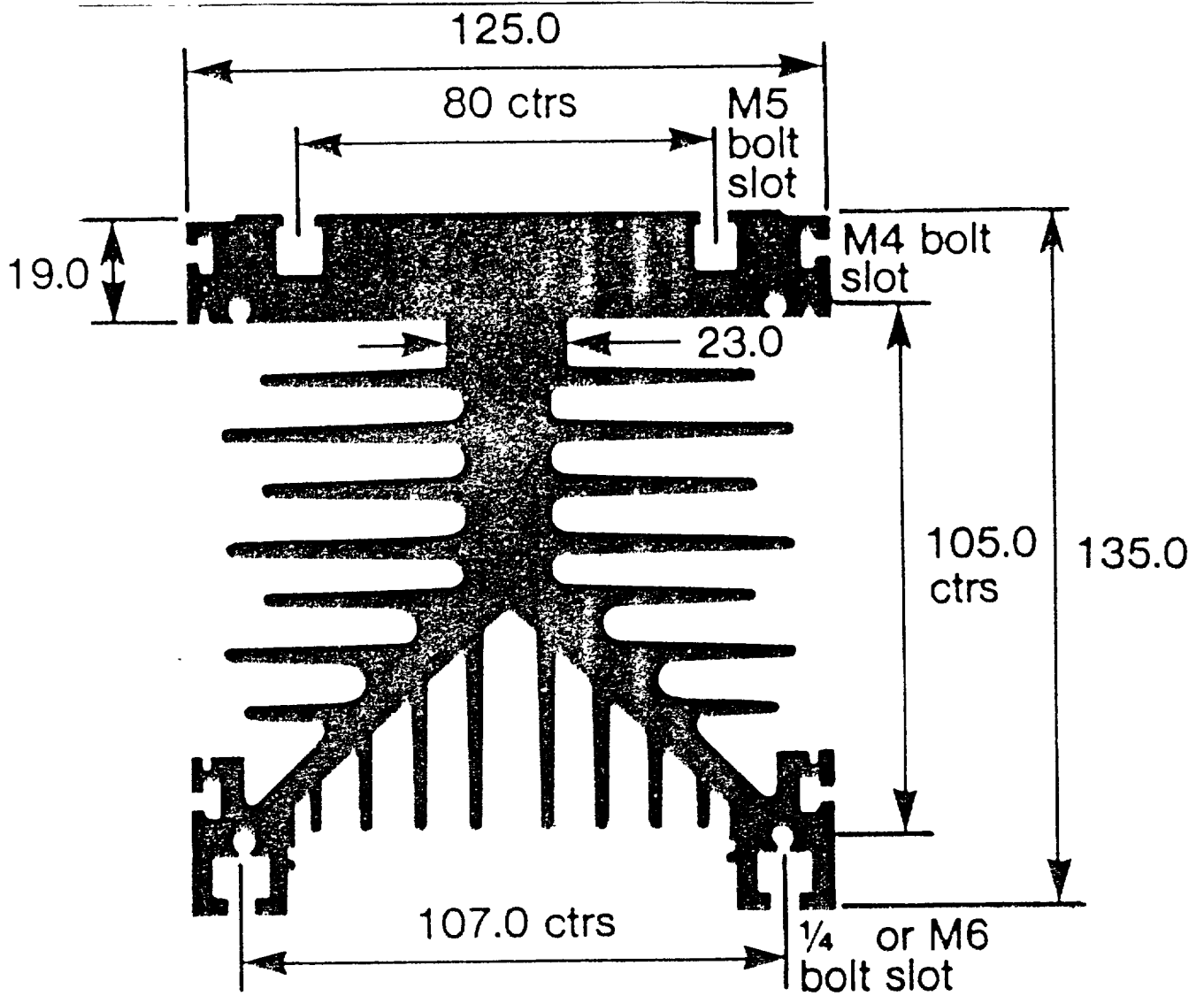
# D Powersink

Features extruded tee-slots for mounting 80mm power modules and solid state relays. Stud devices may also be mounted.

Pattern No.	Length ins. mm.	Thermal Rating °C/W		
		Distributed Load at 150W	300W	450W
4D-1	4	.49	.46	.45
6D-1	6	.40	.35	.34
9D-1	9	.32	.29	.28



170 753



Top surface is machined before black anodising.

Will accept covers on 3 sides.