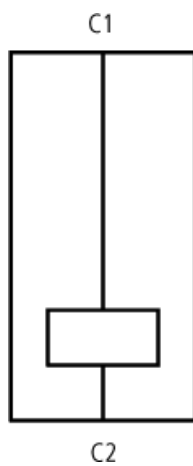


Type: **A-PKZ0(24VDC)**  
 Article No.: **073200**

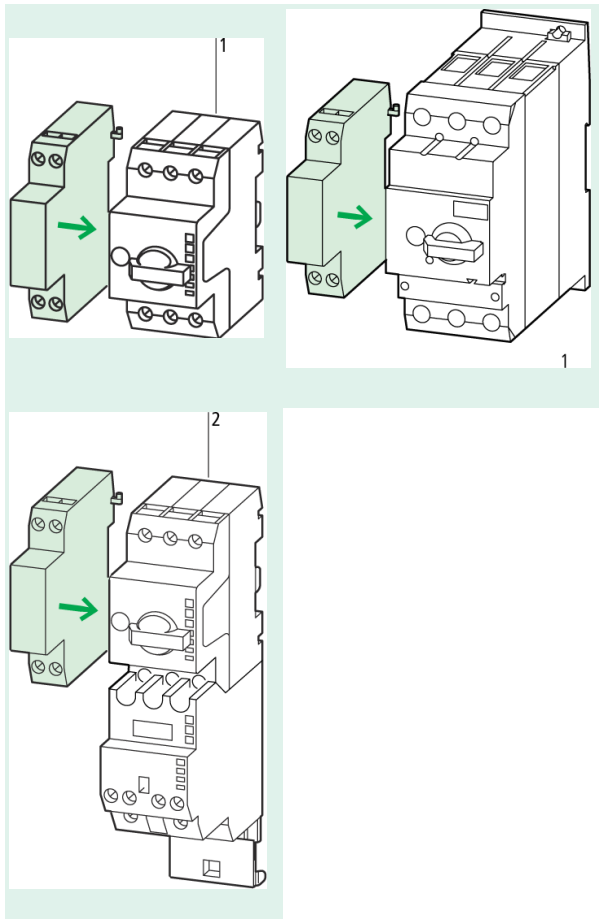


Ordering information		
Connection technique		Screw terminals
For use with		PKZM0 PKZM4 PKZM0-T PKM0 PKZM01

### Contact sequence



### Notes concerning the product group



#### Accessories

- 1 Motor-protective circuit-breaker
- 2 Compact starters, (high-capacity) compact starters

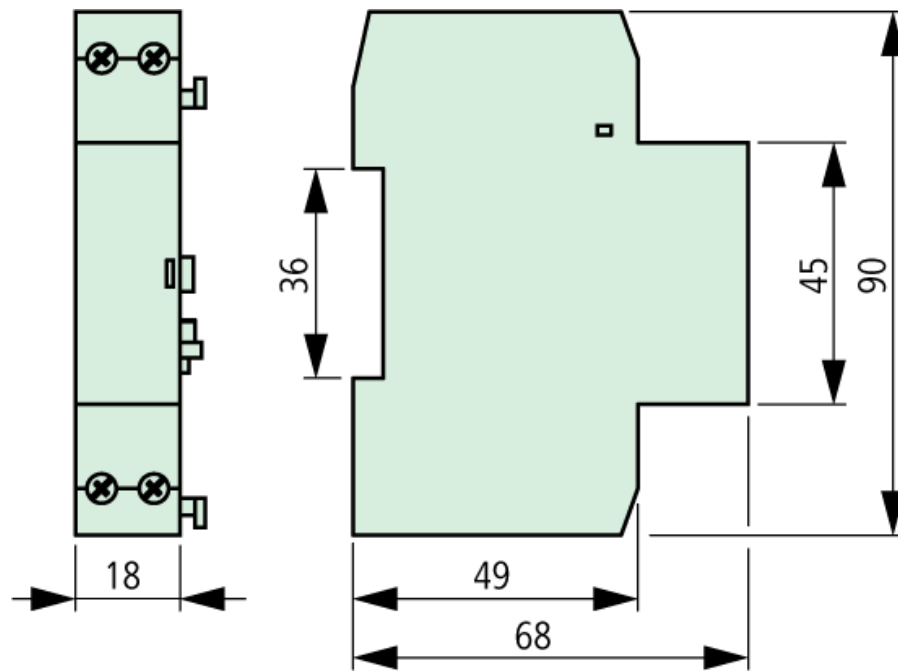
#### Page

General			
Terminal capacities			
Solid or flexible conductor with ferrule		mm <sup>2</sup>	1 × (0.75 – 2.5) 2 × (0.75 – 2.5)
Solid or stranded		AWG	1 × (18 – 14) 2 × (18 – 14)
Main conducting paths			
Rated operating voltage	$U_e$	V AC	42 – 480
Rated operating voltage	$U_e$	V DC	24 – 250
Operating range			
AC		× $U_s$	0,7 – 1,1
DC		× $U_s$	0,7 – 1,1
Power consumption			
AC			
Pick-up AC	Pick-up	VA	5
Sealing AC	Sealing	VA	3
DC			

Pull-in DC	Pick-up	W	3
Sealing DC	Sealing	W	3

**Dimensions**

**Dimensions**



Moeller GmbH, Hein-Moeller-Str. 7-11, D-53115 Bonn  
 E-Mail: [catalog@moeller.net](mailto:catalog@moeller.net), Internet: [www.moeller.net](http://www.moeller.net), <http://catalog.moeller.net>  
 Copyright 2005 by Moeller GmbH. Subject to modifications. HPL-C2005GB-INT V3.0