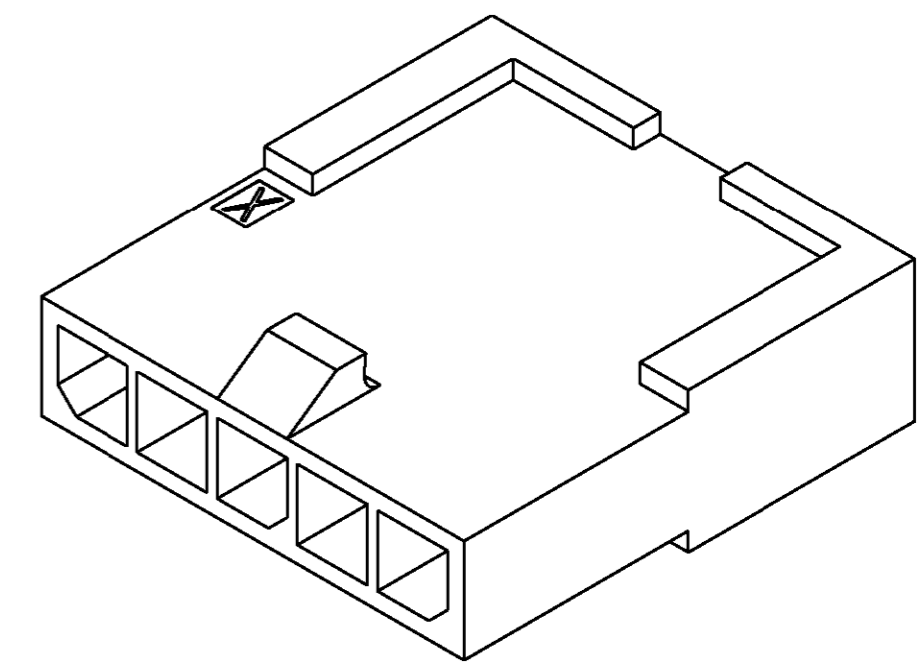
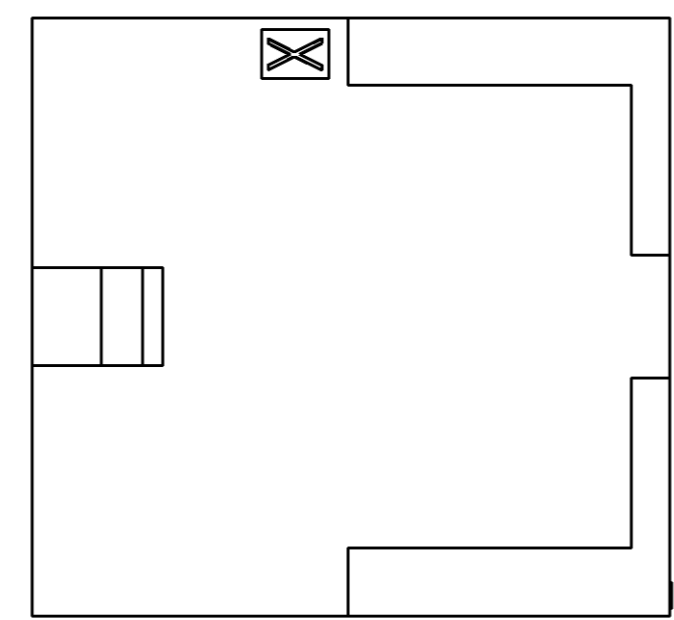
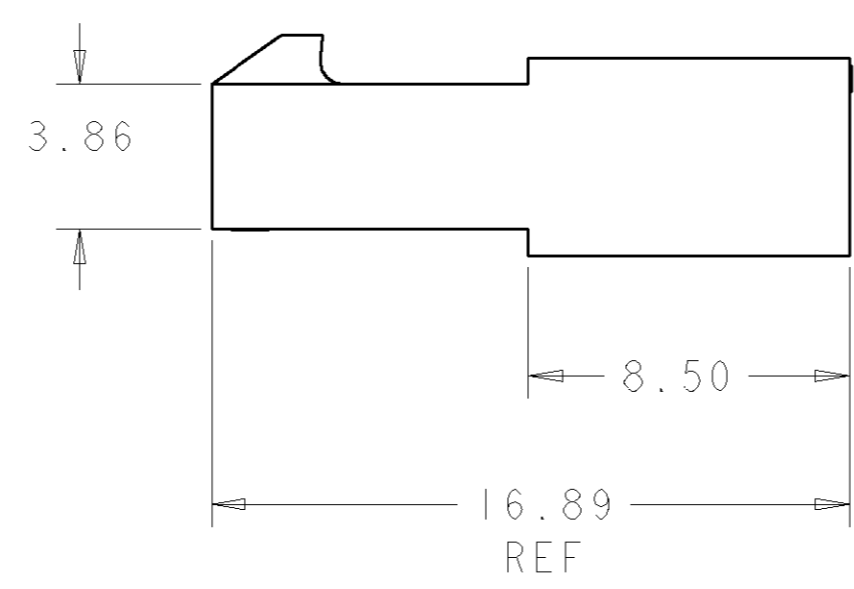
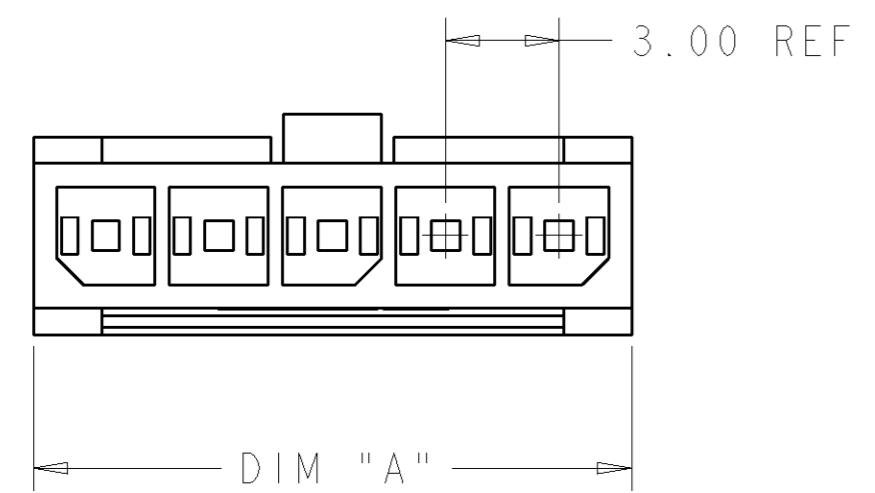


THIS DRAWING IS UNPUBLISHED. RELEASED FOR PUBLICATION 20  
 © COPYRIGHT 20 BY TYCO ELECTRONICS CORPORATION. ALL RIGHTS RESERVED.

LOC	DIST	REVISIONS					
CM	00	P	LTR	DESCRIPTION	DATE	DWN	APVD
		0		RELEASED PER 063B-0331-01	17-DEC-01	KW	CJ



SCALE 5:1



36.85	12	1-1445049-2
33.85	11	1-1445049-1
30.85	10	1-1445049-0
27.85	9	1445049-9
24.85	8	1445049-8
21.85	7	1445049-7
18.85	6	1445049-6
15.85	5	1445049-5
12.85	4	1445049-4
9.85	3	1445049-3
6.85	2	1445049-2
DIM A	NO. OF POS.	PART NUMBER

METRIC

THIS DRAWING IS A CONTROLLED DOCUMENT FOR TYCO ELECTRONICS CORPORATION IT IS SUBJECT TO CHANGE AND THE CONTROLLING ENGINEERING ORGANIZATION SHOULD BE CONTACTED FOR THE LATEST REVISION.		DWN W J RUDY 29AUG2000 CHK W DAVIS 29AUG2000 APVD W DAVIS 29AUG2000	<b>AMP</b> Tyco Electronics Harrisburg, PA 17105-3608
DIMENSIONS: mm	TOLERANCES UNLESS OTHERWISE SPECIFIED: 0 PLC ± 1 PLC ± 2 PLC ±0.13 3 PLC ± 4 PLC ± ANGLES ± FINISH -	PRODUCT SPEC - APPLICATION SPEC - WEIGHT -	NAME PLUG HOUSING, 2 TO 12 POSITION, SINGLE ROW, FREE HANGING, MICRO MATE-N-LOK™
MATERIAL NYLON, UL94V-0 BLACK	CUSTOMER DRAWING	SIZE A2 CAGE CODE 00779 DRAWING NO. 1445049	RESTRICTED TO - SCALE 5:1 SHEET 1 OF 1 REV 0