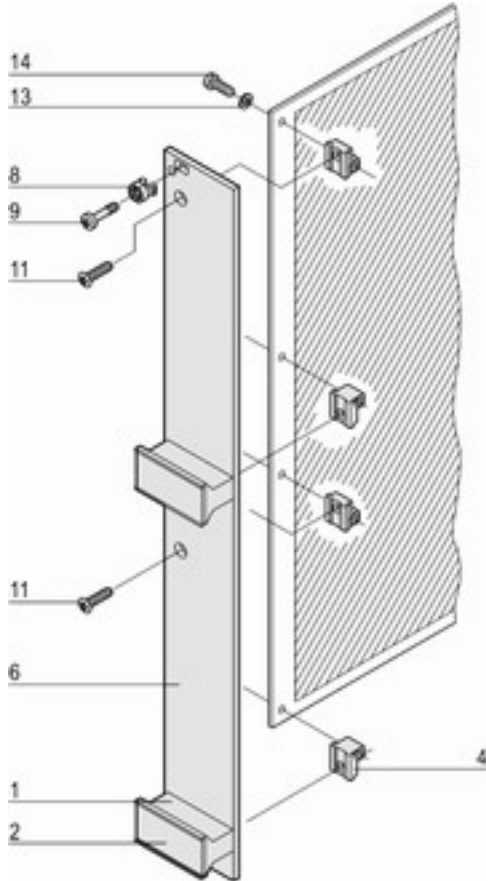


Plug-in units type 2 with trapezoid handle, unshielded, kit
[Print page](#)

6 U


Article number: 20818-028

- Front panel unshielded
- Handle without extraction function



Delivery comprises: kit

Item	Qty	Description
1	2	Extraction handle, PPE, grey
2	2	Identification plate, Al 1.5 mm, anodised, cut edges clean
4	4	Printed board bracket, diecast zinc
6	1	Front panel for trapezoid handle, front anodised, rear yellow chromated
8	2	Sleeve, PA, grey, up to 7 HP front panel width
8	4	Sleeve, PA, grey, from 8 HP front panel width
9	2	Collar screw, cross recess/slot, nickel-plated steel, M2.5 x 12.3, up to 7 HP front panel width
9	4	Collar screw, cross recess/slot, nickel-plated steel, M2.5 x 11 and 12.3, from 8 HP front panel width
11	2	Raised countersunk head screw, M2.5 x 8
13	4	Washer, A2,7
14	4	Pozidrive flathead screw, nickel-plated steel, M2.5 x 10
15	2	Hexagon nut, nickel-plated steel, M2.5
16	2	Pozidrive flathead screw, nickel-plated steel, M2,5 x 12
17	2	Pozidrive flathead screw, nickel-plated steel, M2,5 x 16

Technical data:

Description	Height	Width	Height B
Plug-in unit with cantilever handle (kit)	6 U	8 HP	0 mm

Further Information:

	Download CAD data in DWG format Download CAD data in DXF format
	User Manual