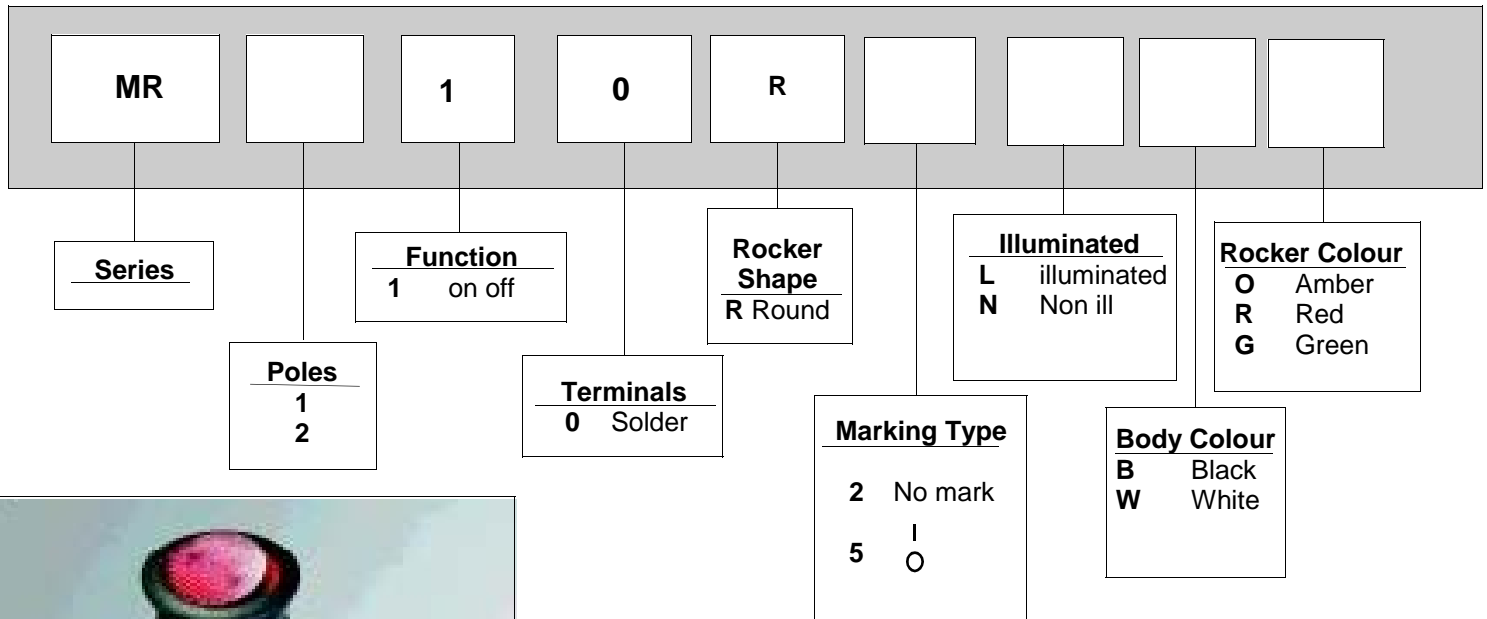




MR-R-SERIES

DOUBLE POLE ROUND ROCKER SWITCHES UP TO 12A 125VAC
Illuminated, non-illuminated



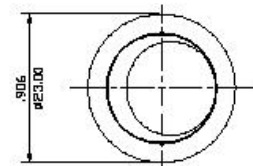
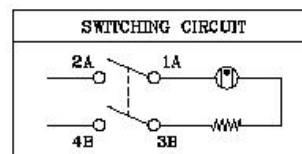
TECHNICAL SPECIFICATION

- Switch for Class II appliances
- Base : Nylon 66, UL rated 94V-2 min
- Actuator : Nylon 66, UL rated 94V-2 min
- Movable Contact arm : Phosphorus bronze
- Movable Contact : Silver-cadmium alloy
- Fixed Contact : Silver-cadmium alloy
- Terminals : Silver plated copper
- Lamp : Neon (Red and Amber), Fluorescent (Green) 240V supply as standard, other voltages on request.

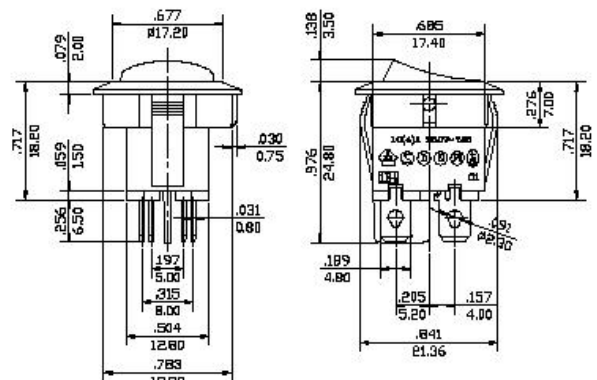
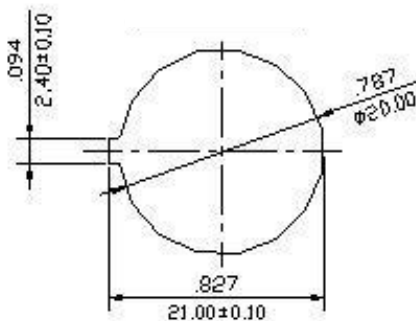
MATERIAL SPECIFICATION

- 12A 125VAC, 10A 250VAC 1/4HP (CSA)
- 10A 125VAC, 8A 250VAC 1/4HP (UL)
- 10(4)A 250V~T85(VDE, SEMKO, DEMKO, NEMKO, FIMKO, SEV)
- Initial contact resistance : 20m ohm MAX.
- Insulation resistance : 100M ohm MIN. at 500VDC
- Dielectric strength : 1,000VAC FOR 1 MINUTE.
- Electrical life : 10,000 cycles.
- Temperature range : -20 to + 85 degrees in Celsius

DIMENSIONS



PANEL CUTOUT



APEM COMPONENTS LTD

Drakes Drive, Long Crendon, Bucks HP18 9BA

Tel: +44 (0) 1844 202400

Fax: +44 (0) 1844 202500

Web site: <http://www.apem.co.uk>

e-mail: sales@apem.co.uk