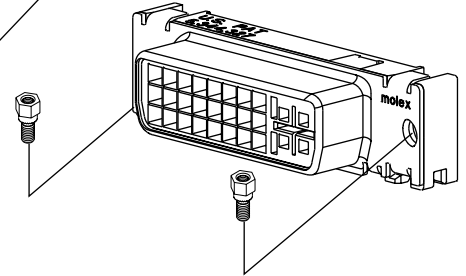




# MicroCross™ DVI-I Digital/Analog Visual Interface Receptacle Header and Hardware

## 74320/71781 Panel Mount Through Hole Vertical



### FEATURES AND SPECIFICATIONS

#### Features and Benefits

- Supports both analog and digital signals
- Plug and play interface
- Excellent EMI/RFI performance
- LFH™ contact design is rugged and reliable
- DDWG DVI standard interface
- The digital section supports 4.95 Gbps over a single link and 9.9 Gbps over a dual link.
- The MicroCross coax section supports a high-bandwidth of up to 2.5 GHz analog signal

#### Reference Information

Product Specification: PS-74320-001  
 Packaging: 71781 — Bag  
               74320 — Tray  
 UL File No.: E29179  
 CSA File No.: LR19980  
 Mates with: 88741, 74323 and other plug components  
 Designed In: Inches

#### Electrical

Voltage: 40V  
 Current: 3.0A  
 Contact Resistance: 20mΩ max.  
 Dielectric Withstanding Voltage: 500V  
 Insulation Resistance: 1000 MΩ min.

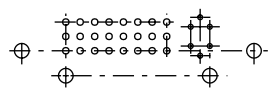
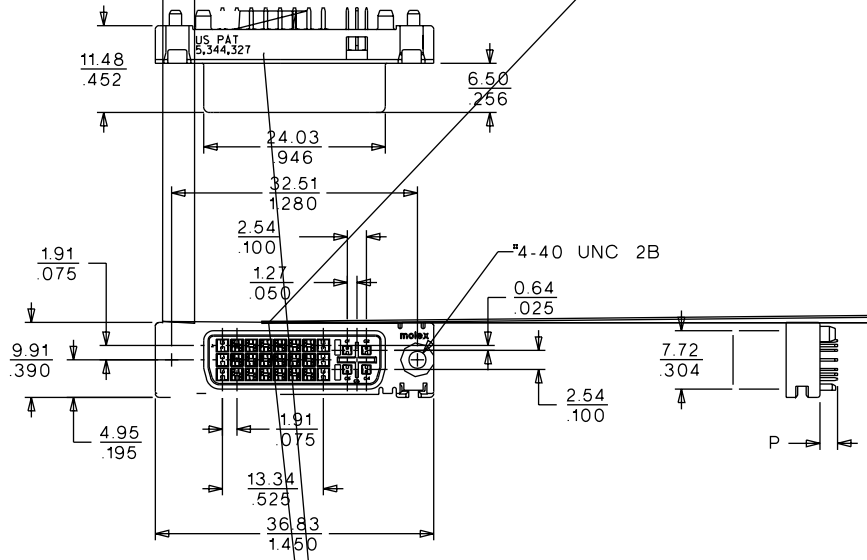
#### Mechanical

Contact Retention to Housing: 1 lb. min.  
 Insertion Force to PCB: 10 lb. max.  
 Mating Force: 10 lb. max.  
 Unmating Force: 2.2 lb. min.  
 Durability: 100 cycles

#### Physical

Housing: Glass-filled thermoplastic, UL 94V-0  
 Contact: Copper Alloy  
 Plating: Contact—30μ" Gold or Gold flash in contact area and 100μ" or 150μ" Tin/Lead in tail area over Nickel overall  
 Shields—100μ" bright Tin over Copper overall  
 Operating Temperature: -20 to +85°C

### CATALOG DRAWING (FOR REFERENCE ONLY)



FOR P.C.B. LAYOUT AND PANEL CUTOUT CONTACT FACTORY.



### ORDERING INFORMATION AND DIMENSIONS

Order No.	Description	Dimension P	Plating
74320-3000	Vertical Receptacle	2.34 (.092)	30μ" Gold
74320-3004	Vertical Receptacle	2.34 (.092)	Gold Flash
71781-0001	Jackpost		Clear Chromate
71781-0002	Self-Clinching Jackpost		Zinc/Yellow Chromate

Please contact Molex for additional tail length options

I/O Connectors

**N**