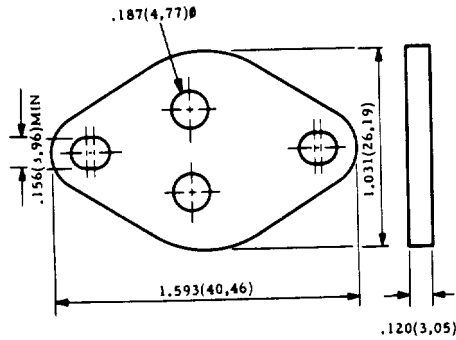
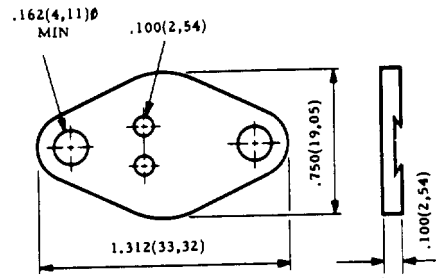


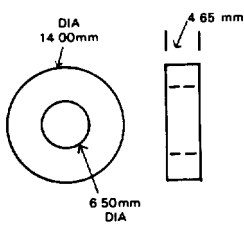
Al₂O₃, ALUMINIUM OXIDE
M202/03 TO-3 Al₂O₃



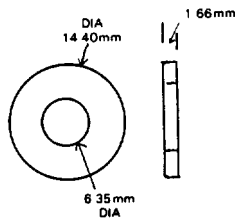
M203/66 TO-66 Al₂O₃



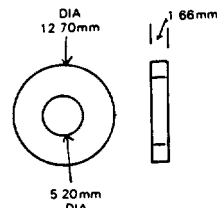
M65/14 DO5/S.A.O.



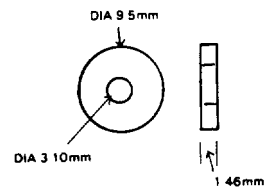
M635/144 DO5 A.O.



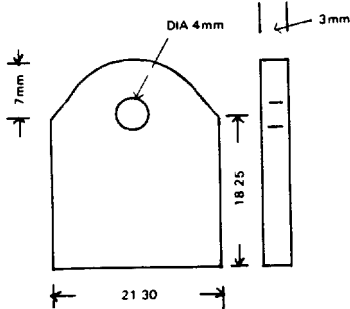
M52/127 DO4 A.O.



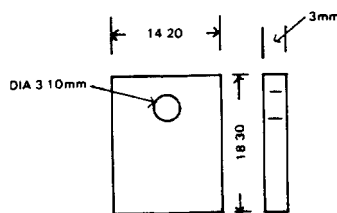
M31/95 6BA A.O.



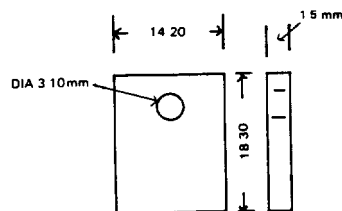
M3055. SOT93 A.O.



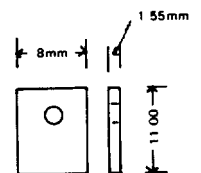
M1915. TO220. A.O.



M1915/15

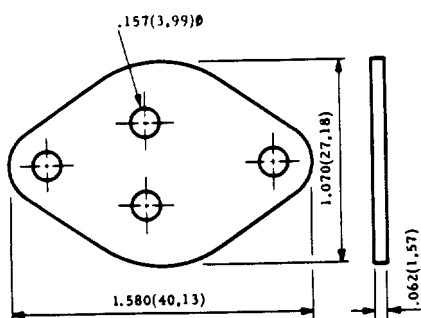


M1180. TO126.A.O.

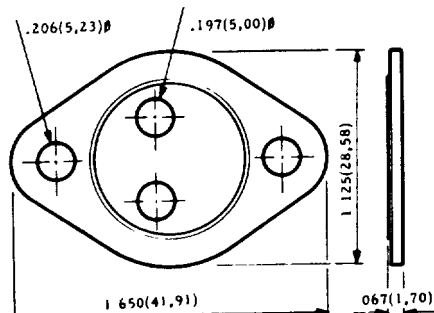


BeO, BERYLLIUM OXIDE

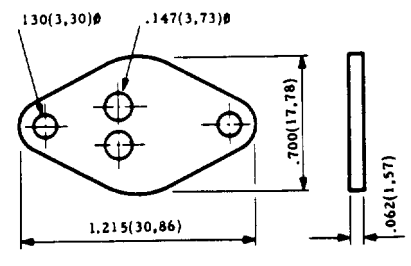
MB 202/03 TO-3 BeO



MBP 202/03 TO-3 BeO inset in plastic



MB 203/66 TO-66 BeO



ALSO AVAILABLE: MBP 203/66 BeO INSET IN PLASTIC