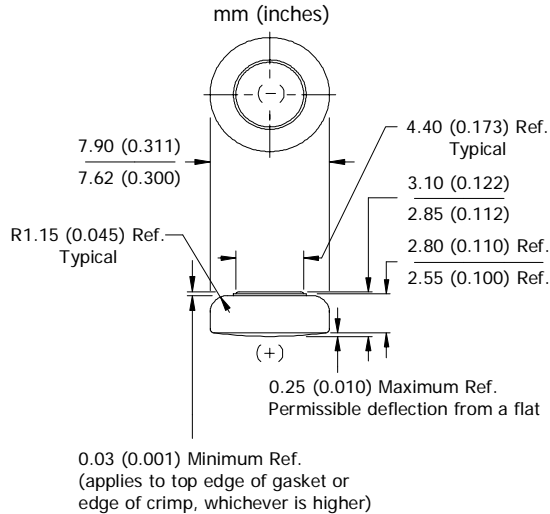


ENERGIZER 329

SILVER OXIDE



Industry Standard Dimensions



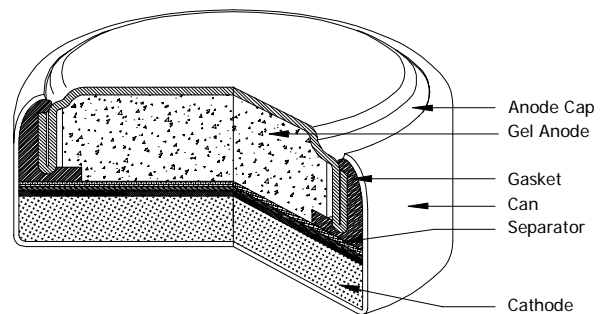
DESIGNED FOR USE ON CONTINUOUS LOW DRAIN

Specifications

- Chemical System:** Silver Oxide (Zn/Ag₂O)
- Nominal Voltage:** 1.55 Volts
- Typical Capacity:** 39 mAh* (to 1.3 volts)
- Capacity Test:** 22K ohm continuous drain at 21°C
- Typical Weight:** 0.58 grams (0.02 oz.)
- Typical Volume:** 0.15 cubic centimeters (0.009 cubic inch)
- Impedance (40 Hz):** 55 to 65 ohms

* Varies according to the applied load, temperature, and cutoff voltage.

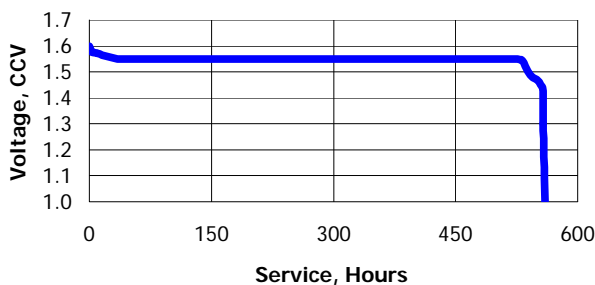
Cross Section



Typical Discharge Characteristics

Typical Performance at 21°C (70°F)

Schedule: Continuous
Typical Drain @1.55V:
0.070 milliamperes
Load: 22K ohm

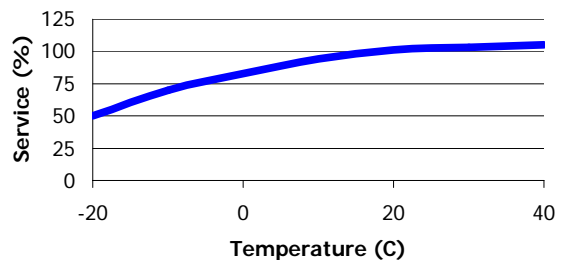


| Schedule | Typical Drains at 1.55V (milliamperes) | Load (ohm) | Cutoff (hours) |
|------------|--|------------|----------------|
| Continuous | 0.070 | 22K | 557 |

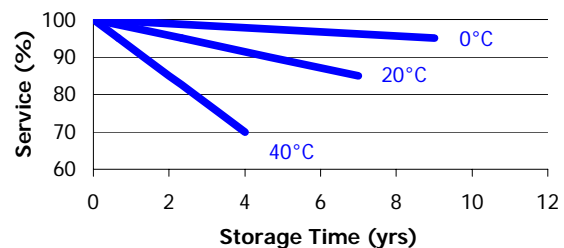
Temperature Characteristics

Typical Performance at Low Discharge Rates

Service Effects



Storage Effects



Important Notice

This datasheet contains typical information specific to products manufactured at the time of its publication.
©Energizer Holdings, Inc. - Contents herein do not constitute a warranty.