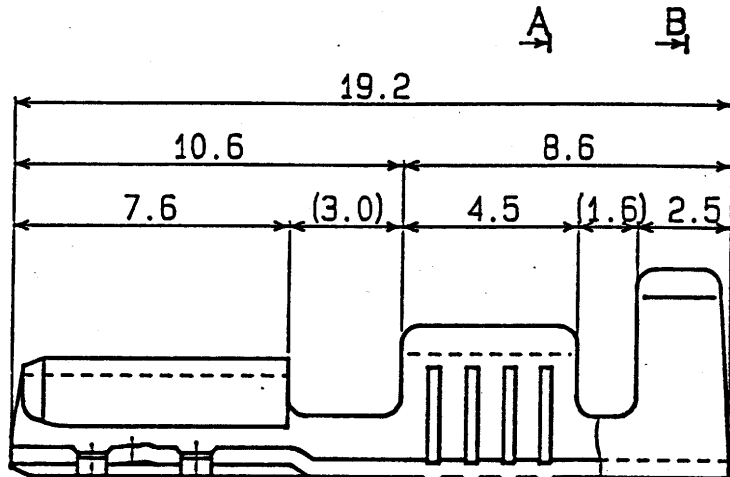
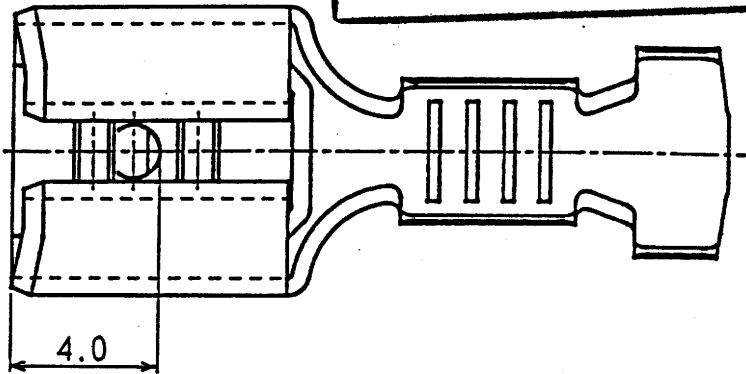
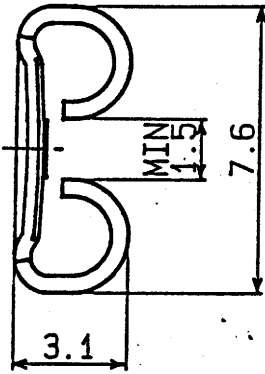


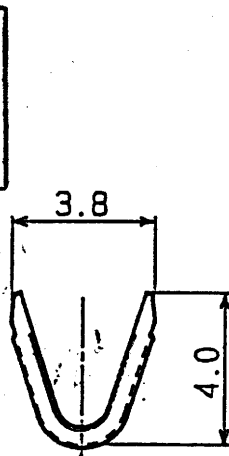
**UNCONTROLLED ISSUE**



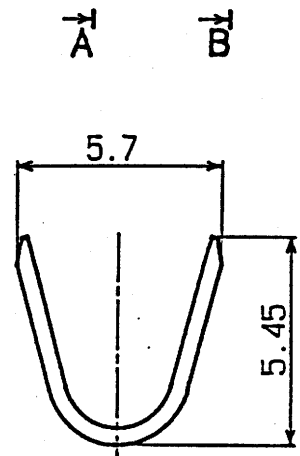
**THIS DRAWING/DOCUMENT IS THE PROPERTY OF J.S.T. (U.K.) LTD. IT MUST NOT BE COPIED OR USED FOR MANUFACTURE WITHOUT WRITTEN PERMISSION FROM J.S.T. (U.K.) LTD.**

**NOTE**

1. Dimensions are in MM.
2. General tolerances
  - 0 ~ 3.0 : ±0.2
  - 3.1 ~ 9.0 : ±0.3
  - 9.1 ~ : ±0.5



A-A SEC.



B-B SEC.

No.	NAME	MATERIAL	REMARKS	REVISIONS	
	TERMINAL	BRASS	TIN PLATED to 0.45		
				PART NAME	
APPROVED BY	CHECKED BY	DRAWN BY	SCALE	PROJECTION	DATE
NH	KM	Y.O			Sep. 17 1991
				PART No.	STO-2, 5T-250N
				DRAWING No.	KRD-14078
				ISSUE	