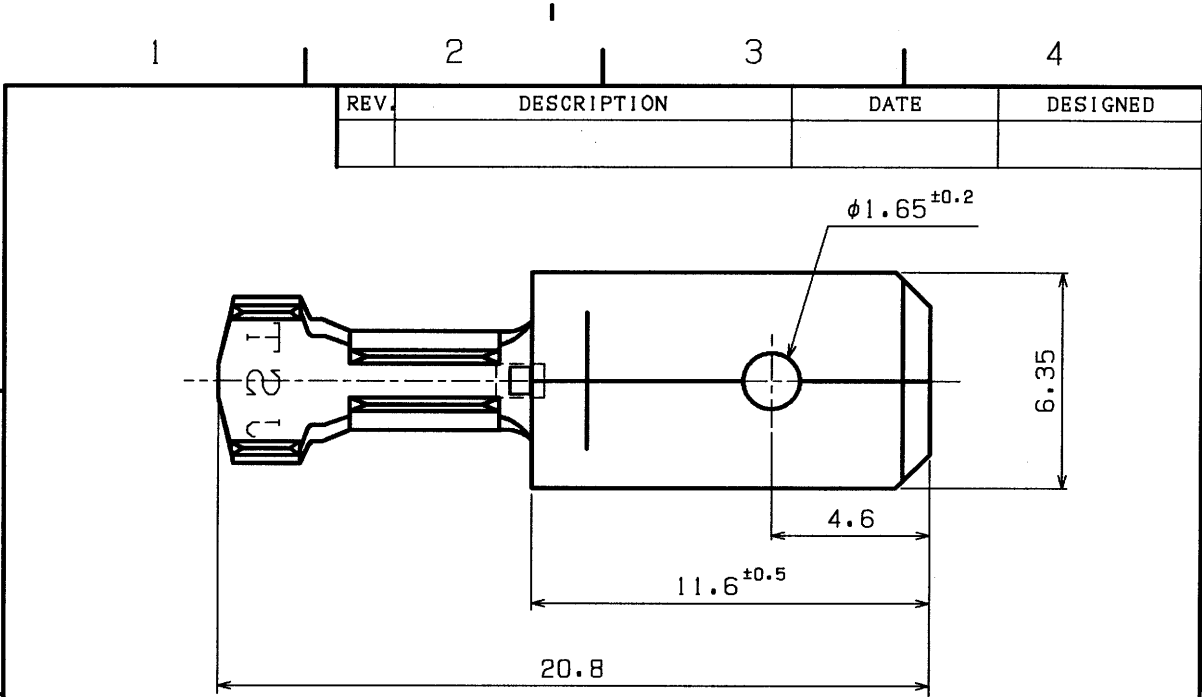
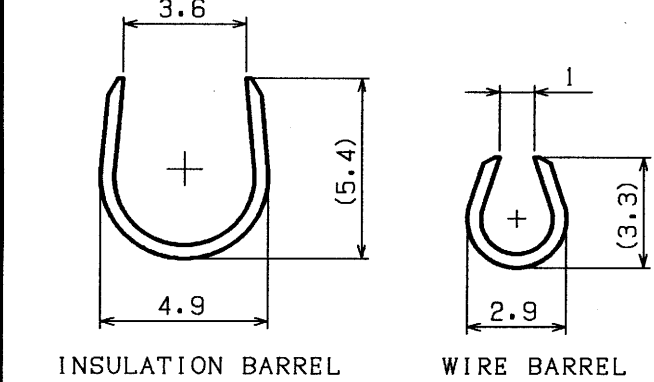
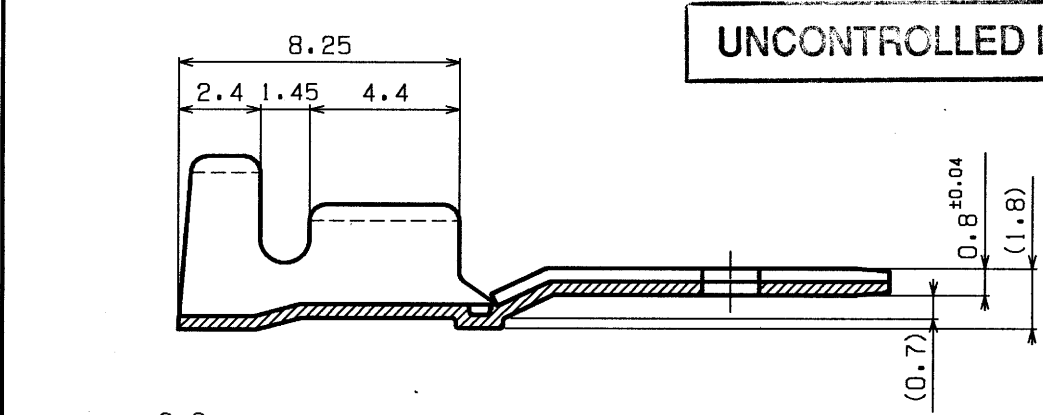


THIS DRAWING/DRAWING DOCUMENT IS THE
 PROPERTY OF J.S.T. (U.K.) LTD. IT
 MUST NOT BE COPIED OR USED FOR
 MANUFACTURE WITHOUT WRITTEN
 PERMISSION FROM J.S.T. (U.K.) LTD.



UNCONTROLLED ISSUE



NOTE
 1. Unless otherwise specified,
 tolerances are ± 0.3

J.S.T. Mfg. Co., Ltd.
16 NOV 2001
 Engineering
 Centre in
 Europe

TERMINAL		BRASS		TIN-PLATED		t0.4	
No.	PART NAME	MATERIAL		SURFACE FINISH		REMARKS	
SIZE	UNIT	SCALE	PROJECTION	DATE	CUSTOMER		
A4	METRIC	5:1		NOV. 12. 2001	TAB-ON TAB TYPE TERMINAL		
APPROVED	CHECKED	DESIGNED	DRAWN	SERIES NAME			
S. KOYAMA	E. NAKAYAMA	M. ISHIGAMI		LOM-51 (T) -250			
JST J.S.T. MFG. CO., LTD.				DRAWING No.		RD	
				KRD-2502-2			