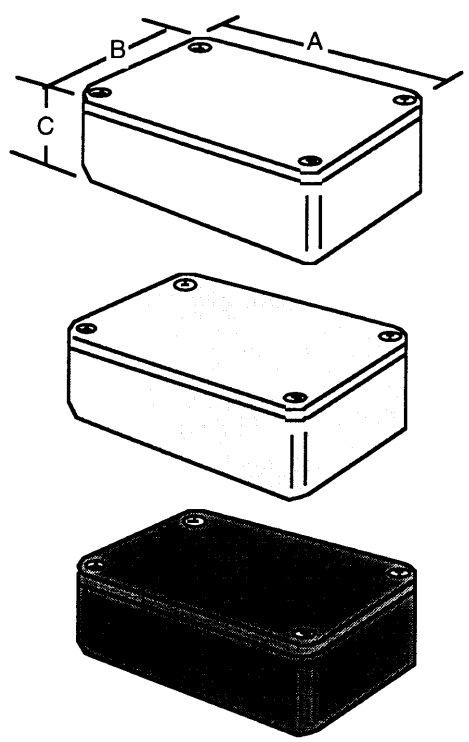


SMALL MULTIPURPOSE

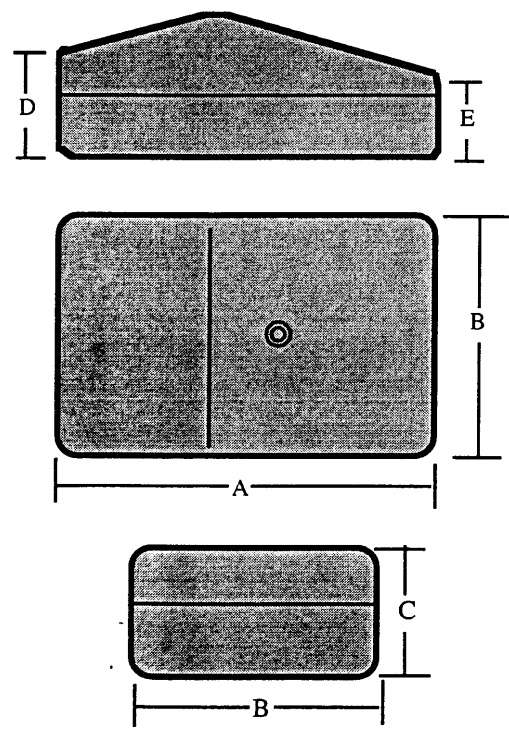


SMALL MULTIPURPOSE BOXES WITH LIDS

These boxes are moulded in ABS to give maximum strength but can be easily punched or drilled for individual requirements and to produce a professional looking end product. They are available in black, white or light grey as standard but other colours may be available on request should you require to add that individual touch to your products.

Part No.	Overall Dimensions mm			Nominal Wall Thickness
	A	B	C	
T2	75	56	25	1.5
T3	75	51	27	1.5
T4	111	57	25	2.0

Lid retained by countersunk self tapping screws.



MINIATURE SLOPING MODULE CASE

A highly adaptable miniature case ergonomically designed for desk, dashboard, pocket etc. and can be used either way up for the desired application.

Manufactured from high-impact black or white ABS with single self-tapping screw fixing with a matt finish on all surfaces except for a polished recessed panel on the largest flat surface. A cable knock-out is provided for flying lead applications. Other colours available to order

Part No.	Overall Dimensions mm					Nominal Wall Thickness
	A	B	C	D	E	
SCB1	71	44	28	22	17	2.0