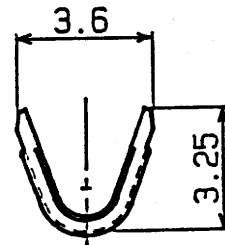
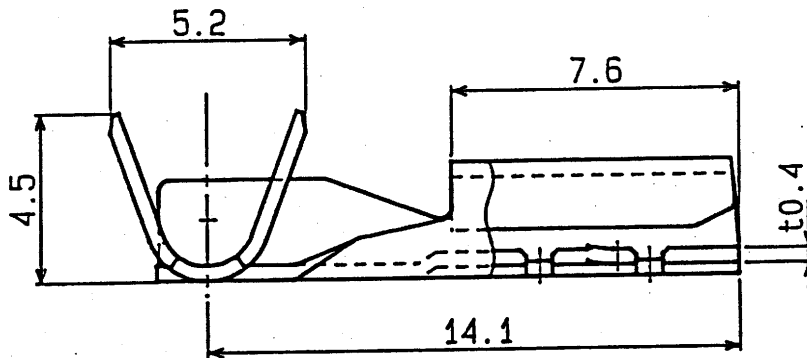


THIS DRAWING/DOCUMENT IS THE PROPERTY OF J.S.T. (U.K.) LTD. IT MUST NOT BE COPIED OR USED FOR MANUFACTURE WITHOUT WRITTEN PERMISSION FROM J.S.T. (U.K.) LTD.



A-A SEC.

NOTE

1. Dimensions are in MM.
2. General tolerances

0 ~ 3.0	:±0.2
3.1 ~ 9.0	:±0.3
9.1 ~	:±0.5

J.S.T. (U.K.) LTD.
 11 JAN 2002
 TECH-SALES
 SUPPORT

UNCONTROLLED ISSUE

No.	TERMINAL NAME	BRASS MATERIAL	TIN-PLATED REMARKS	REVISIONS	PART NAME
J. S. T.					PART No. SFO-1. 0T-250N
APPROVED BY	CHECKED BY	DRAWN BY	SCALE	PROJECTION	DATE
NH	km	E.O	1:1	3rd	Dec. 19 1991
DRAWING No. KR-14419					ISSUE