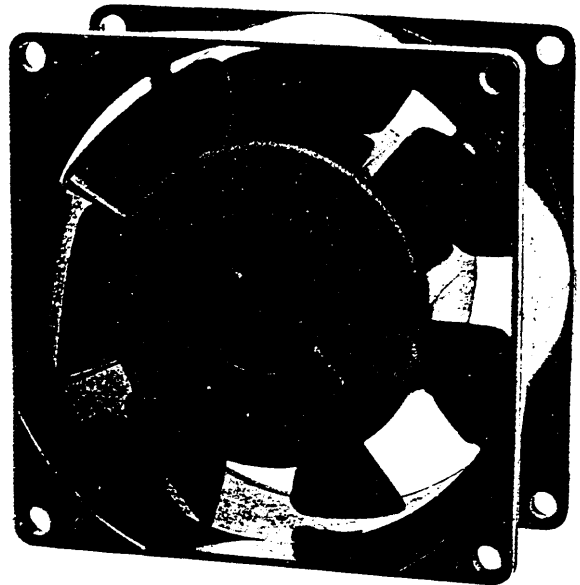


FP-108A

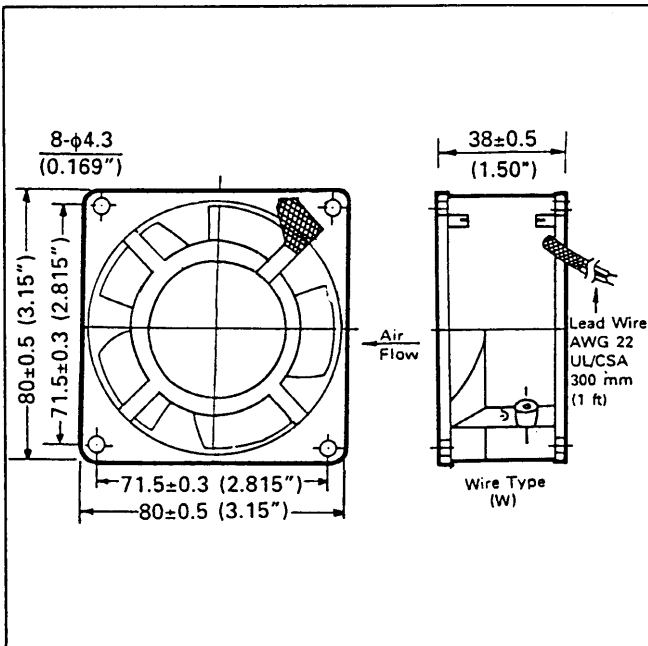
80x80x38mm

DESIGN FEATURES

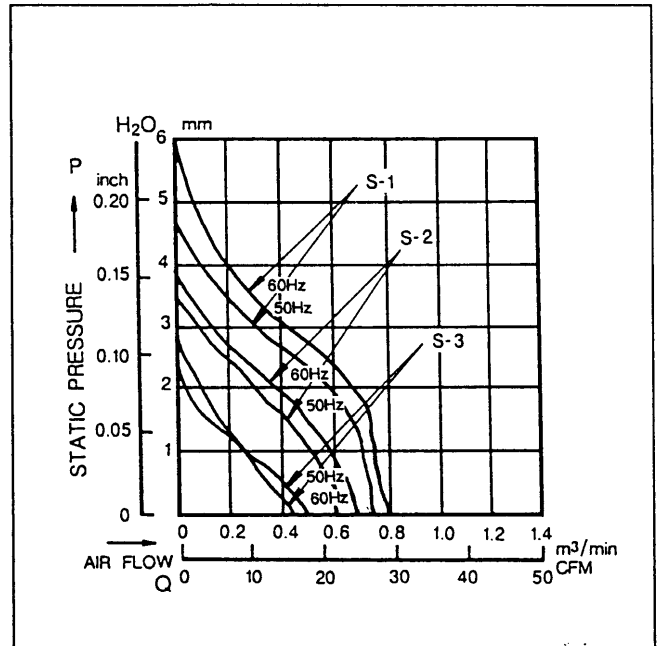
- *BEARING SYSTEM: SLEEVE BEARING & BALL BEARING
- *WEIGHT: 370 (g)
- *IMPELLER: PLASTIC WITH FIBER GLASS FILLED UL 94V-0
- *HOUSING: DIE CAST ZINC PAINTED BLACK OR NATURAL COLOR
PBT PLASTIC UL 94V0
- *MOTOR: SHADED POLE, IMPEDANCE PROTECTED
- *CONNECTING: WIRE LEADS
- *SPEED: S-1 HIGH SPEED TYPE
S-2 MEDIUM SPEED TYPE
S-3 LOW SPEED TYPE
- *OTHER VOLTAGE 24, 48, 100, 380 (50/60HZ) ARE AVAILABLE



DIMENSIONS



PERFORMANCE



SPECIFICATIONS

Model No.	Volt (VAC)	Frequency (HZ)	Air (CFM)	Volume (M ³ /Min)	Current (A)	Power (W)	Speed (RPM)	Static pressure (Inch- H ₂ O)	Noise (dBA)
FP-108A (S-1)	110/120	50/60	26/30	0.74/0.88	0.14/0.12	13/12	2300/2800	0.17/0.24	30/35
FP-108A (S-1)	220/240	50/60	26/30	0.74/0.88	0.08/0.07	13/12	2300/2800	0.17/0.24	30/35
FP-108A (S-2)	110/120	50/60	21/23	0.14/0.15	0.12/0.10	10/9	2000/2300	0.14/0.25	24/27
FP-108A (S-2)	220/240	50/60	21/23	0.14/0.15	0.06/0.05	10/9	2000/2300	0.14/0.25	24/27
FP-108A (S-3)	110/120	50/60	17/16	0.50/0.47	0.08/0.06	6/5	1700/1500	0.12/0.10	21/23
FP-108A (S-3)	220/240	50/60	17/16	0.50/0.47	0.05/0.04	6/5	1700/1500	0.12/0.10	21/23