

GENERAL SPECIFICATIONS FOR S800s ~ S732

Electrical Capacity (Resistive & Inductive Load)

Power Level: Shown in the following tables

Other Ratings

Contact Resistance:	10 milliohms maximum
Insulation Resistance:	1,000 megohms minimum @ 500V DC
Dielectric Strength:	2,000V AC minimum for 1 minute minimum for S800s & S800Ds 3,000V AC minimum for 1 minute minimum for S732
Mechanical Life:	50,000 operations minimum
Electrical Life:	10,000 operations minimum for S800Ds 25,000 operations minimum for S800s & S732

Materials & Finishes

Toggle:	Brass with nickel plating for S732 Brass with chrome plating for S800s & S800Ds
Bushing:	Brass with chrome plating
Case:	Phenolic resin for S732; melamine phenol for S800s
Case Cover:	Steel with chromate plating over zinc plating
Movable Contactor Plate:	Copper with silver plating
Movable & Stationary Contacts:	Silver alloy capped on copper with silver plating
Common Terminals:	Brass
Contact Terminals:	Brass with silver or nickel plating

Environmental Data

Operating Temp Range: -10°C through +70°C (+14°F through +158°F)

Installation

Mounting Torque:	2.94Nm (26 lb•in) for double nut
Maximum Panel Thickness:	Shown beneath panel cutout in switch dimension drawings

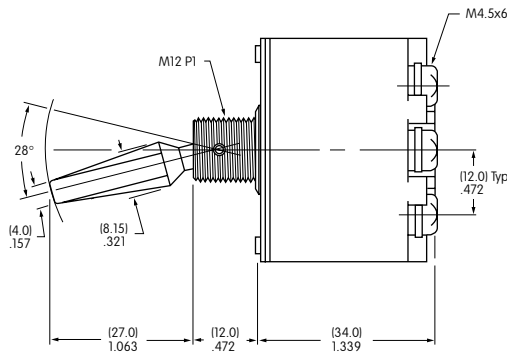
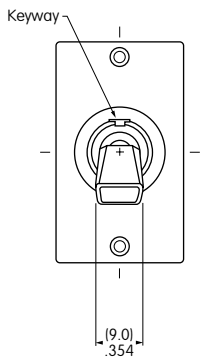
Standards & Certifications

UL Recognized:	Designated with UL recognized symbol beside part numbers on following pages See Supplement section to find UL rating details. UL File No. WOYR2.E44145 Add "/U" to end of part number to order UL mark on switch.
C-UL Recognized:	Designated with C-UL recognized symbol beside part numbers on following pages See Supplement section to find C-UL rating details. C-UL File No. WOYR8.E44145 Add "/C-UL" to end of part number to order C-UL mark on switch.
CSA Certified:	Designated with CSA certified symbol beside part numbers on following pages See Supplement section to find CSA rating details. File No. 023535-0-000 Add "/C" to end of part number to order CSA mark on switch.

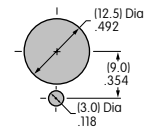
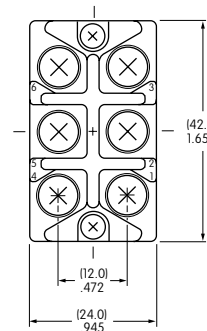
DOUBLE & THREE POLE WITH SCREW LUG & FLATTED LEVER

Model	Approvals	Pole & Throw	Toggle Position/Connected Terminals						Electrical Capacity								
			Down		Center	Up		Resistive				Inductive L/R = 3ms					
			Keyway	Keyway	Keyway	DC 30V	DC 48V	DC 125V	DC 250V	DC 24V	DC 48V	DC 125V	DC 250V				
S821D		DPST	ON	2-3 5-6	NONE	OFF	—	30A	30A	15A	7.5A	15A	10A	6A	3A		
S822D		DPDT	ON	2-3 5-6	NONE	ON	2-1 5-4	30A	30A	15A	7.5A	15A	10A	6A	3A		
S823D		DPDT	ON	2-3 5-6	OFF	ON	2-1 5-4	30A	30A	15A	7.5A	15A	10A	6A	3A		
Throw & Schematics:		DPST				DPDT				Note: Terminal numbers are on the switch							
S831D		3PST	ON	2-3 5-6 8-9	NONE	OFF	—	30A	30A	15A	7.5A	15A	10A	6A	3A		
S832D		3PDT	ON	2-3 5-6 8-9	NONE	ON	2-1 5-4 8-7	30A	30A	15A	7.5A	15A	10A	6A	3A		
S833D		3PDT	ON	2-3 5-6 8-9	OFF	ON	2-1 5-4 8-7	30A	30A	15A	7.5A	15A	10A	6A	3A		
Throw & Schematics:		3PST				3PDT				Note: Terminal numbers are on the switch							

• Standard Hardware: AT503M Face Hex Nut, AT506 Locking Ring, AT508 Lockwasher, AT527M Backup Hex Nut. See Accessories & Hardware section.



Double Pole

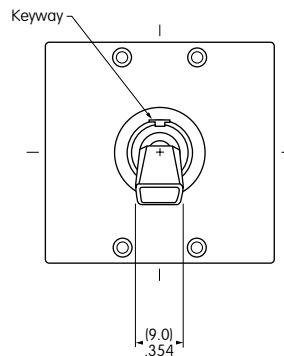


S821D does not have terminals 1 & 4

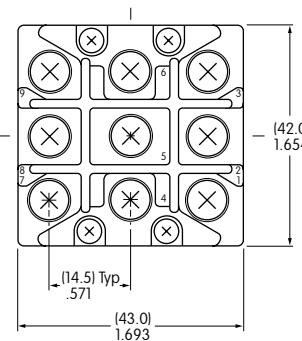
Maximum Panel Thickness: .177" (4.5mm)



S832D



Three Pole



S831D does not have terminals 1, 4 & 7

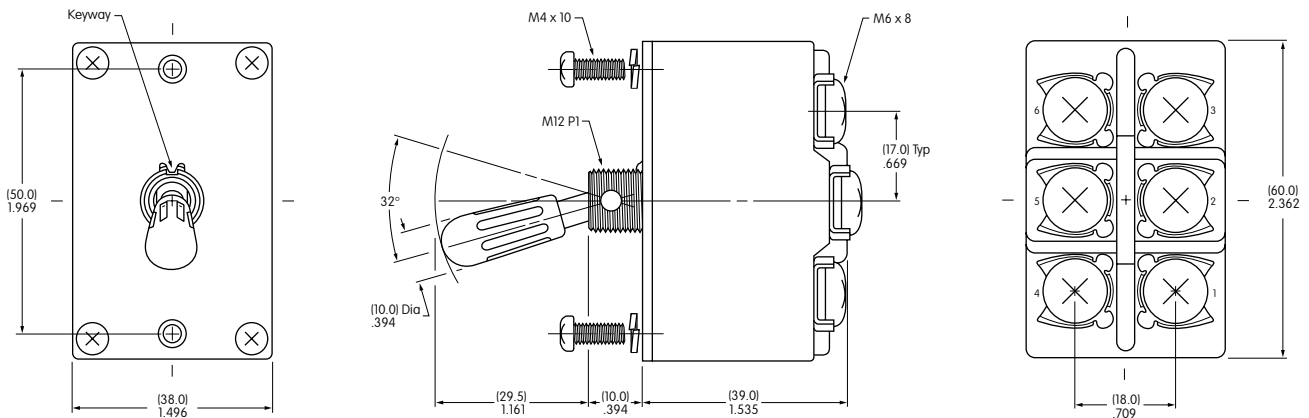
Positive (+) must be connected to end terminals & negative to common terminals

DOUBLE POLE WITH SCREW LUG

Model	Approvals	Pole & Throw	Toggle Position/Connected Terminals			Electrical Capacity					
			Down 	Center 	Up 	Resistive			Inductive		
						AC 125V	AC 250V	DC 30V	AC 125V PF 0.6		
S732	— —	DPDT	ON	2-3 5-6	NONE	ON	2-1 5-4	50A	30A	50A	25A

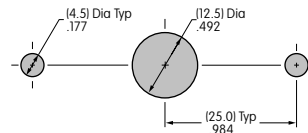
Throw & Schematics:	DPDT		Note: Terminal numbers are on the switch
--------------------------------	------	--	--

• Standard Hardware: AT503M Face Hex Nut, AT506 Locking Ring, AT508 Lockwasher, AT527M Backup Hex Nut. See Accessories & Hardware section.



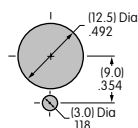
Cap of phenolic resin is black

Panel Mount with Mounting Screws

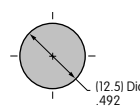


Maximum Panel Thickness:
.158" (4.0mm)

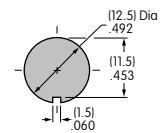
Panel Mount with Bushing Hardware



Maximum Panel Thickness:
.079" (2.0mm)



Maximum Panel Thickness:
.118" (3.0mm)



Maximum Panel Thickness:
.118" (3.0mm)



S732