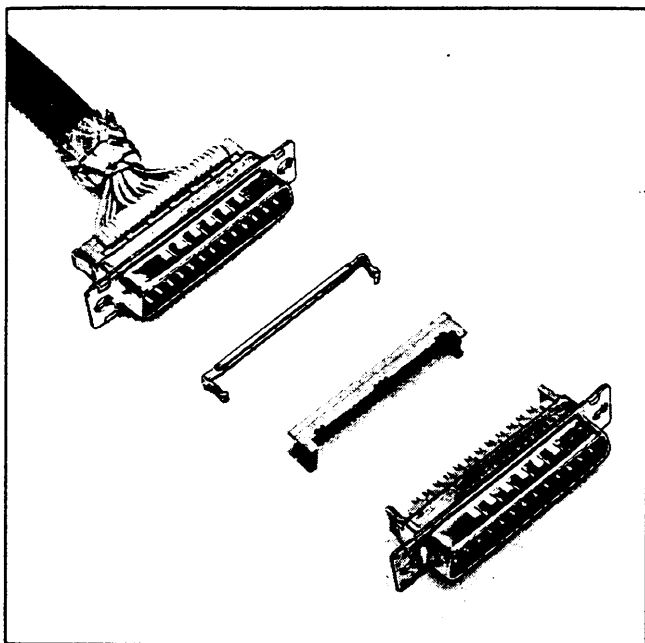


D Sub

Plug Connector

8200 Series



- Available in either pre-assembled or two piece covers
- Available in either open or closed end cover
- Available with dimples to aid in EMI/ESD protection
- Improved metal strain relief hooks directly to metal shell
- Low profile
- Four mounting options

122

TS-0234-11
Sheet 1 of 3

Physical

Insulation

Material: Glass Filled Polyester (PBT)
 Flammability: UL 94V-0
 Color: Gray

Contact

Material: Beryllium Copper
 Plating
 Underplate: 50 μ " (1.27 μ m) Nickel — QQ-N-290, Class 2
 Wiping Area: 30 μ " (0.76 μ m) Gold — MIL-G-45204, Type II, Grade C

Shell

Material: Steel
 Plating: 197-394 μ " (5-10 μ m) 90/10 Tin Lead Over Copper
 Strain Relief Material: Stainless Steel .016 (0.40) Thick
 Wire Accommodation: 26 & 28 AWG Solid or Stranded
 Marking: 3M Logo & Contact Position Numbers

Electrical

Current Rating: 1 A
 Insulation Resistance: $> 1 \times 10^9 \Omega$ at 500 VDC
 Withstanding Voltage: 1000 Vrms at Sea Level

Environmental

Temperature Rating: -55° to $+105^\circ$

UL File No.: E68080
 CSA File No.: LR 40971

3M Electronic Products Division

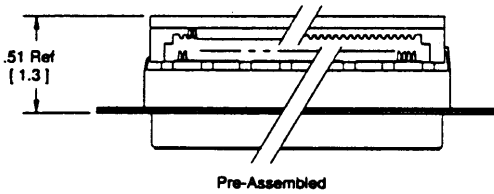
6801 River Place Blvd.
 Austin, TX 78726-9000

D Sub Plug Connector

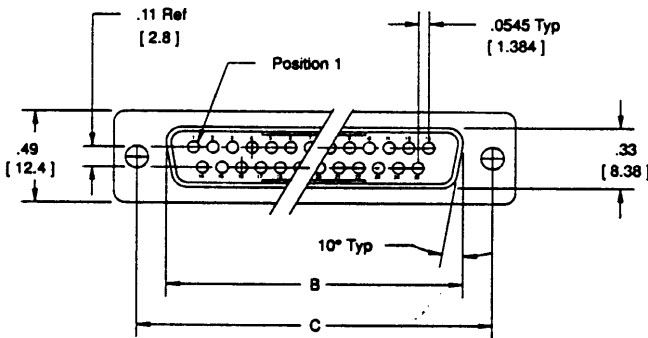
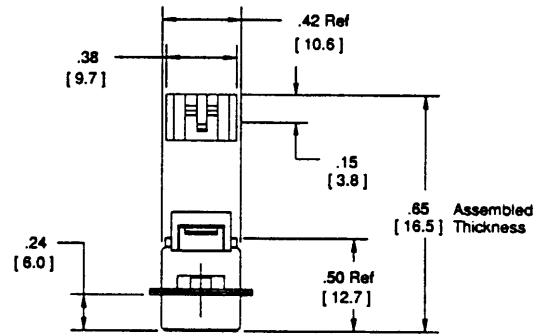
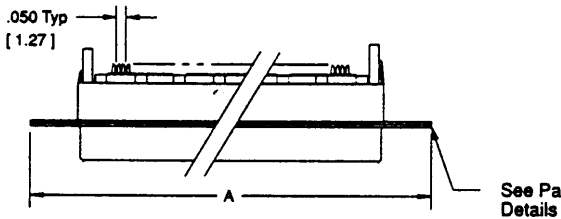
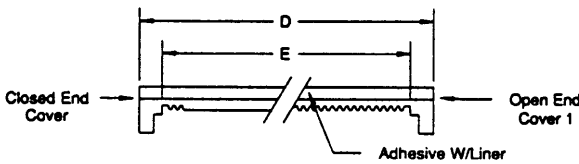
8200 Series

Sheet 2 of 3

Contact Quantity	Dim A	Dim B	Dim C	Dim D	Dim E	Dim F
09	1.21 [30.7]	.67 [17.0]	.98 [25.0]	.66 [16.7]	.49 [12.5]	.70 [17.8]
15	1.54 [39.1]	1.00 [25.4]	1.31 [33.3]	.99 [25.2]	.79 [20.1]	1.03 [26.1]
25	2.09 [53.1]	1.54 [39.1]	1.85 [47.0]	1.53 [39.0]	1.29 [32.8]	1.57 [39.8]
37	2.73 [69.3]	2.18 [55.4]	2.50 [63.5]	2.18 [55.4]	1.89 [48.0]	2.22 [56.3]



Note: Preassembled closed cover on Pin 1 side of connector.



Inch [mm]

Tolerance Unless Noted			
	.0	.00	.000
Inch	±.1	±.01	±.005

[] Dimensions for Reference Only

TS-0234-11

Ordering Information

Connector
82XX-X0XX

Strain Relief
3448-8DXXA

Contact Quantity

Cover Style:

- 6 = Open Cover
- 7 = Closed Cover
- 8 = Open Cover, W/O Adhesive, Preassembled
- 9 = Closed Cover, W/O Adhesive, Preassembled

Strain Relief Option:

- 0 = Tin Lead, Dimples, W/O Strain Relief
- 6 = Tin Lead, Dimples, with Strain Relief

Mounting Style:

- 0 = Standard
- 3 = English
- 4 = Metric

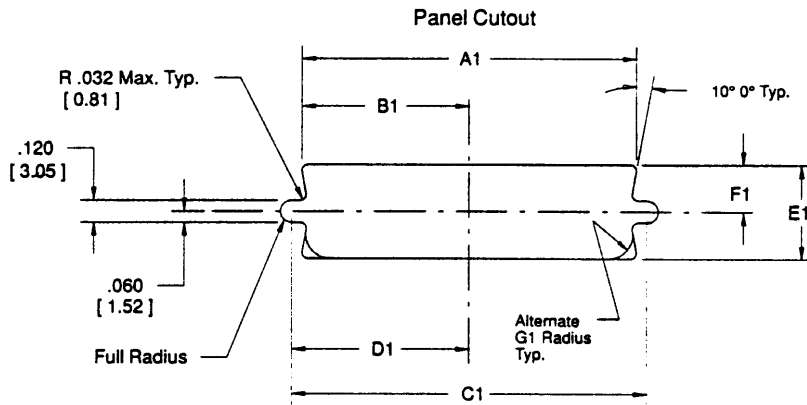
- 09 = 9 Position
- 15 = 15 Position
- 25 = 25 Position
- 37 = 37 Position

D Sub Plug Connector

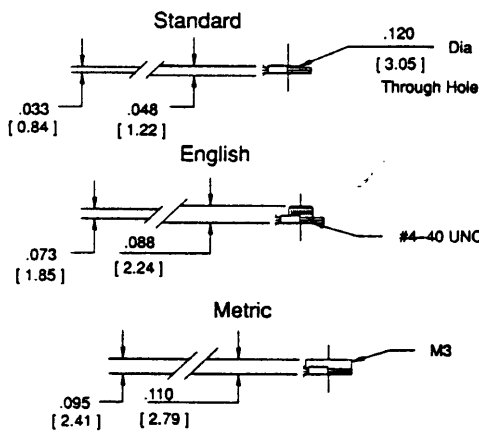
8200 Series

Mounting Method	Contact Quantity	Dim A1	Dim B1	Dim C1	Dim D1	Dim E1	Dim F1	Dim G1
Front	9	.874 [22.20]	.437 [11.10]	.984 [24.99]	.492 [12.50]	.513 [13.03]	.257 [6.53]	.120 [3.05]
	15	1.202 [30.53]	.601 [15.27]	1.312 [33.32]	.656 [16.66]	.513 [13.03]		
	25	1.744 [44.30]	.872 [22.15]	1.852 [47.04]	.926 [23.52]	.513 [13.03]		
	37	2.392 [60.76]	1.196 [30.38]	2.500 [63.50]	1.250 [31.75]	.513 [13.03]		
Rear	9	.806 [20.47]	.403 [10.24]	.984 [24.99]	.492 [12.50]	.449 [11.40]	.225 [5.70]	.120 [3.05]
	15	1.134 [28.80]	.567 [14.40]	1.312 [33.32]	.656 [16.66]	.449 [11.40]		
	25	1.674 [42.52]	.837 [21.26]	1.852 [47.04]	.926 [23.52]	.449 [11.40]		
	37	2.326 [59.08]	1.163 [29.54]	2.500 [63.50]	1.250 [31.75]	.449 [11.40]		

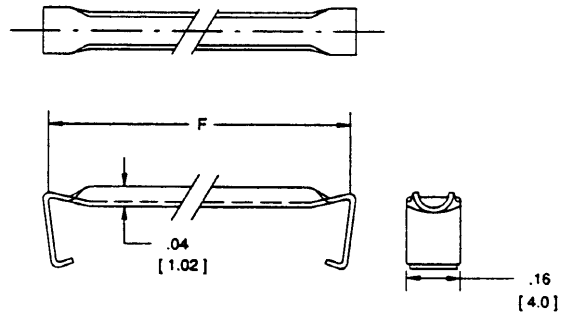
*Front Mount – The connector is mounted in front of the panel.
Rear Mount – The connector is mounted behind the panel.



Mounting Styles



Strain Relief (Order Separately or with Connector)



Sheet 3 of 3

TS-0234-11