

FEATURES AND SPECIFICATIONS

Features and Benefits

- Sizes 2 to 15 circuits
- Molded friction lock
- Optional locking ramp version
- Stackable end-to-end

Reference Information

Packaging: Bulk
 UL File No.: E29179
 CSA File No.: LR19980
 Mates With: KK 2.50mm (.098") headers or 0.64mm (.025")
 staked pins, 5045-NA and 5046-NA
 Use With: 2759 and 5159 terminals
 Designed In: Millimeters

Electrical

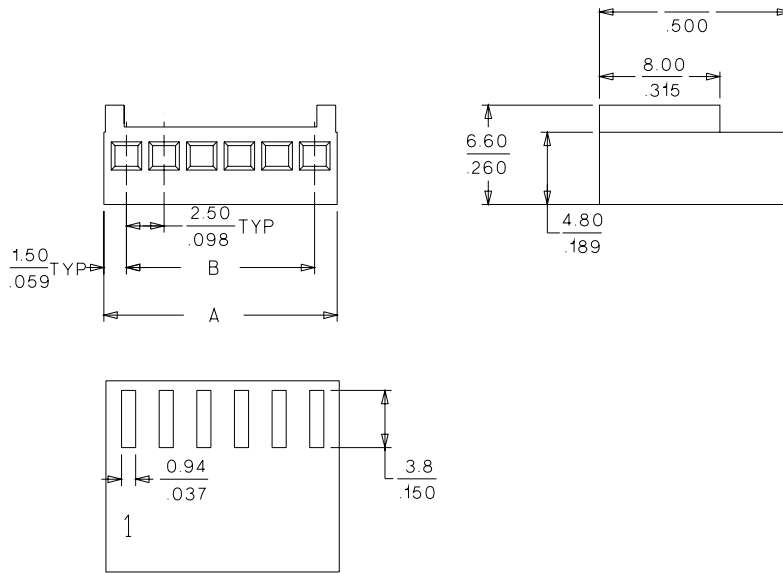
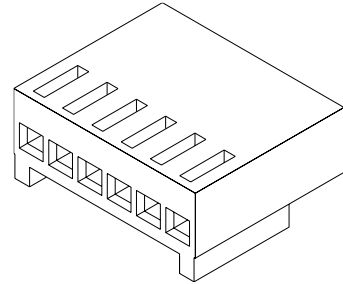
Voltage: 250V
 Current: 3.0A
 Contact Resistance: 20mΩ max.
 Dielectric Withstanding Voltage: 1000V AC/1 min.
 Insulation Resistance: 1000 MΩ min.

Physical

Housing: 6/6 nylon, UL 94V-0
 Temperature: -40 to +105°C

**molex® 2.50mm (.098") Pitch
 KK®
 Crimp Terminal Housing**

**5051-N
 Polarized**



ORDERING INFORMATION AND DIMENSIONS

Circuits	Order No.	Dimension	
		A	B
2	22-01-1022	5.50 (.216)	2.50 (.098)
3	22-01-1032	8.00 (.315)	5.00 (.197)
4	22-01-1042	10.50 (.413)	7.50 (.295)
5	22-01-1052	13.00 (.512)	10.00 (.394)
6	22-01-1062	15.50 (.611)	12.50 (.492)
7	22-01-1072	18.00 (.709)	15.00 (.591)
8	22-01-1082	20.50 (.807)	17.50 (.689)
9	22-01-1092	23.00 (.906)	20.00 (.787)
10	22-01-1102	25.50 (1.004)	22.50 (.886)
11	22-01-1112	28.00 (1.102)	25.00 (.984)
12	22-01-1122	30.50 (1.201)	27.50 (1.083)
13	22-01-1132	33.00 (1.299)	30.00 (1.181)
14	22-01-1142	35.50 (1.398)	32.50 (1.280)
15	22-01-1152	38.00 (1.496)	35.00 (1.378)