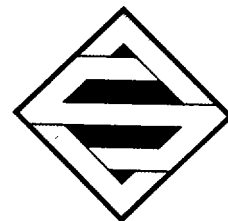
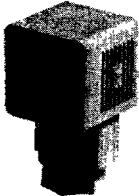
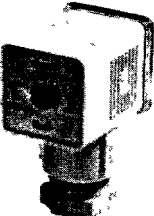
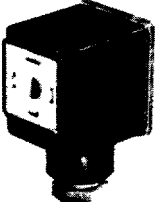









mPm

mPm Connectors

Selection Guide



SOCKETS					
	STANDARD	TALL	LARGE	MINI	MICRO
BASE DIMENSIONS	26.5 x 26.5mm	26.5 x 26.5mm	26.5 x 26.5mm	28 x 20mm	15.5 x 15.5mm
Normal, 2 pins + Earth	mPm 182	mPm 112	mPm 142	mPm 122	mPm 192
Normal, 3 pins + Earth	mPm 183	mPm 113	mPm 143	—	—
Normal with moulded cable **	mPm 152	—	—	mPm 162	—
With indicating Lamp	mPm 182L...A	mPm 112 + PCB...A	mPm 142 + PCB...A	mPm 122 L...A	mPm 192L...A*
With Rectifier	mPm 132	mPm 112 + PCB...I	mPm 142 + PCB...I	mPm 122...I	—
With VDR	mPm 182...D	mPm 112 + PCB...D	mPm 142 + PCB...D	mPm 122...D	—
With Diode	mPm 182...E	mPm 112 + PCB...E	mPm 142 + PCB...E	mPm 122...E	—
With Rectifier + Lamp	—	mPm 112 + PCB...M	mPm 142 + PCB...M	—	—
With 2 Lamps	mPm 183L...B	mPm 113 + PCB...B	mPm 143 + PCB...B	—	—
With Lamp + VDR	mPm 182L...C	mPm 112 + PCB...C	mPm 142 + PCB...C	—	—
With RC Network	—	—	mPm 142 + PCB...G	—	—

BASE PLUGS					
	STANDARD	CURVED	ROUND	MINI	MICRO
Use with	Std. Tall & Large	Std. Tall & Large	Std. Tall & Large	Mini	Micro
2 pins + Earth	mPm 202	mPm 212***	mPm 302	mPm 222	mPm 292
3 pins + Earth	mPm 203	mPm 213***	—	—	—

NOTES

- For items with lamps, VDR, or rectifiers state voltage.
- Use diodes with DC supply only, correctly polarised.

KEY

- * 12 or 24 volt only.
- ** State length of cable.
- *** State 40 or 63mm diameter.

Circuits, Colours and Gland Sizes

Supply Voltage	Circuit in the connector	Solenoid valve or similar	Description of the circuit	Can be fitted in	Housing	Gland size
AC/DC			CIRCUIT A With indicating lamp (filament bulb up to 24v, neon lamp over 24v)	mPm 112 mPm 122/L mPm 182/L mPm 192/L	N, G B B B	9, 11 9 9 7
AC/DC			CIRCUIT B With 2 indicating lamps (filament bulbs up to 24v, neon lamps over 24v)	mPm 113	N, G	9, 11
AC/DC			CIRCUIT C With indicating lamp and VDR to protect against supply overvoltage or peaks caused when switching off.	mPm 112 mPm 122/L mPm 182/L	N, G B B	9, 11 9 9
AC/DC			CIRCUIT D With VDR to protect against supply overvoltage or peak caused when switching off.	mPm 112 mPm 122 mPm 182	N, G G G	9, 11 9 9
DC only			CIRCUIT E With blocking diode for peaks when switching off.	mPm 112 mPm 122 mPm 182	N, G G G	9, 11 9 9
DC only			CIRCUIT F With diode for switch off protection and VDR for supply overvoltage protection.	mPm 112	N, G	9, 11
AC/DC			CIRCUIT G RC decay circuit to dissipate high energies generated in highly inductive load.	mPm 142	N	11
AC only			CIRCUIT I Full-wave bridge rectifier with VDR	mPm 122 mPm 122 mPm 132 mPm 142 with 1 A diodes with diodes of 1 A and more	N, G G G N	9, 11 9 9 11
AC only			CIRCUIT M Full-wave bridge rectifier with VDR and indicating lamp.	mPm 112 mPm 122 mPm 142 with diodes 1 A and more	N, G G N	9, 11 9 11

KEY (STOCK LINES)

N = Black, G = Grey, B = White.
7 = Pg 7, 9 = Pg 9, 11 = Pg 11

Certain other variants available

AUTOMATIC VALVE SYSTEMS LIMITED, Tel Market Bosworth (0455) 290616 Telex. 34352 (AVS G)
Station Road Industrial Estate, Market Bosworth, Nuneaton, Warwickshire. CV13 0PE