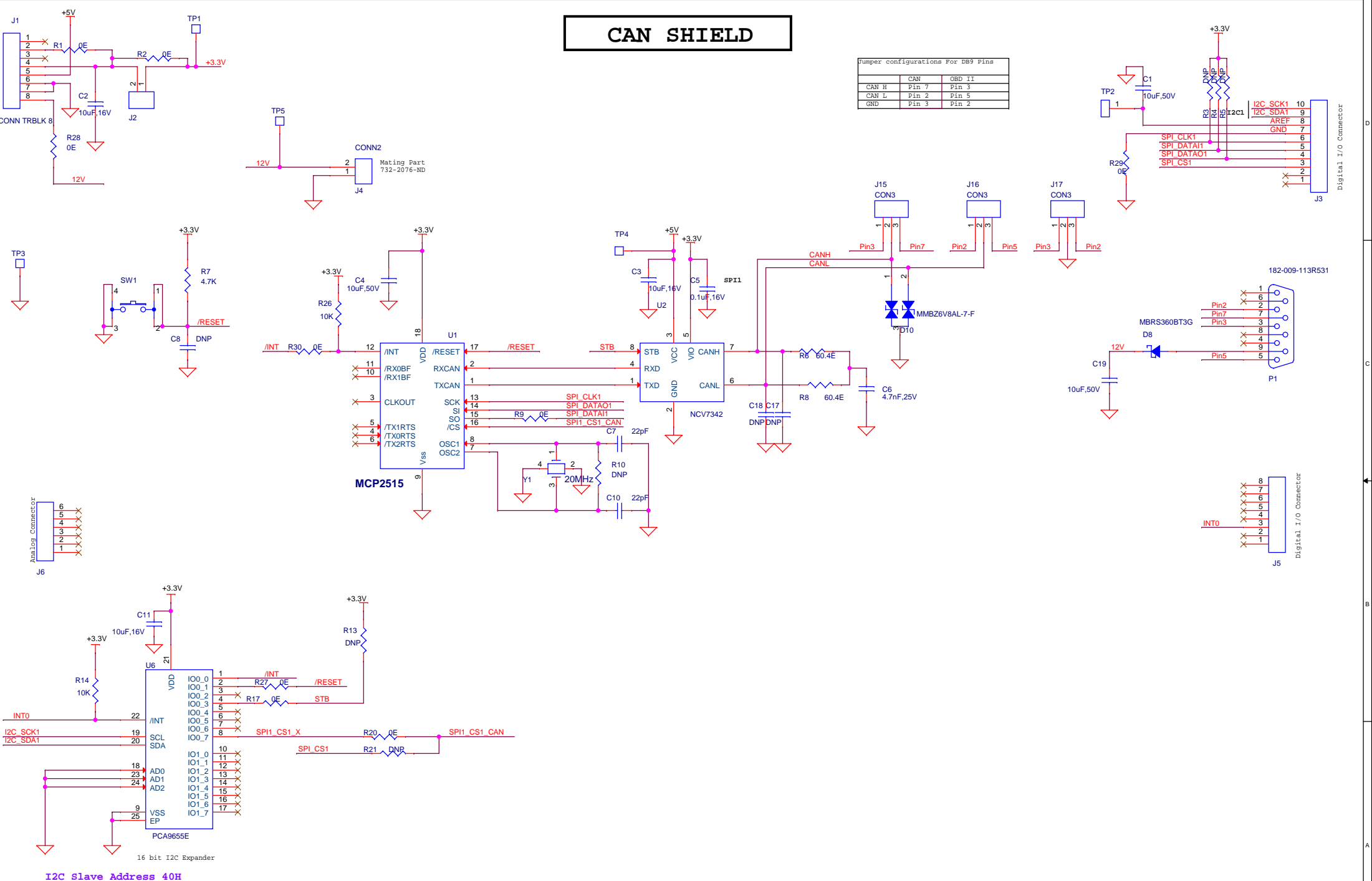


# CAN SHIELD

Dumper configurations For DB9 Pins

	CAN	DBD II
CAN H	Pin 7	Pin 3
CAN L	Pin 2	Pin 5
GND	Pin 3	Pin 2



CAN SHIELD		
Title	<DK>	
Size	Document Number	Rev
A3	<Doc>	<A>
Date:	Wednesday, November 30, 2016	Sheet 1 of 1