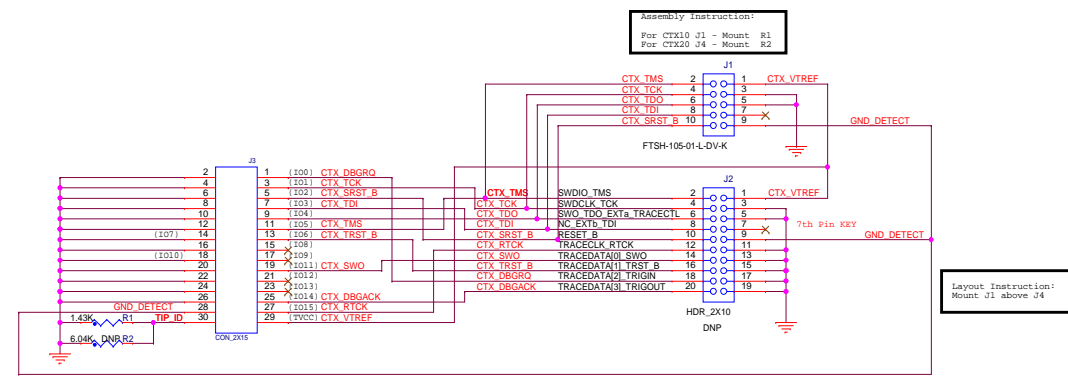




Revisions			
Rev	Description	Date	Approved
X1	Updated to CORTEXCONNECTOR	03/09/13	Ken Cecka
X2	J4 Connector 211-79819 changed to 211-79023 J1 Connector added 211-78919	05/09/13	Ken Cecka
X3	J4 Connector 211-79023 changed to 211-78962 J1 Connector 211-78920 changed to 211-79478	06/09/13	Ken Cecka
A	A085 RELEASE	17/09/13	Ken Cecka



TTP_Id=3.3V*10K/(10K+1.43K(R1))=2.89V=CTX10 for J1
 TTP_Id=3.3V*10K/(10K+6.04K(R2))=2.06V=CTX20 for J4

CON 2X 15		HDR 2 X 10	
PIN	NET NAME	PIN	NET NAME
1	CTX_DBGRO	18	TRACEDATA[2]_TRIGIN
3	CTX_TCK	4	SWDCLK_TCK
5	CTX_SRST_B	10	RESET_B
7	CTX_TDI	8	NC_EXTb_TDI
9	CTX_TDO	6	SWO_TDO_EXTa_TRACECTL
11	CTX_TMS	2	SWDIO_TMS
13	CTX_TRST_B	16	TRACEDATA[1]_TRST_B
19	CTX_SWO	14	TRACEDATA[0]_SWO
25	CTX_DBGACK	20	TRACEDATA[3]_TRIGOUT
27	CTX_RTCK	12	TRACECLK_RTCK
28	GND_DETECT	9	GND_DETECT
29	CTX_VTREF	1	VTREF

		Digital Networking Product Group 6501 William Cannon Drive West Austin, TX 78735-8598	
This document contains information proprietary to Freescale and shall not be used for engineering design, procurement or manufacture in whole or in part without the express written permission of Freescale.			
Designer: SENDHIL KUMAR		Drawing Title: CWH-CTP-CTX10-YE	
Drawn by: SENDHIL KUMAR		Page Title: Connectors	
Approved: Ken Cecka	Size C	Document Number SCH-28113 PDF: SPF-28113	Rev A
Date: Tuesday, September 17, 2013		Sheet 1 of 1	