

6 5 4 3 2 1

D

C

B

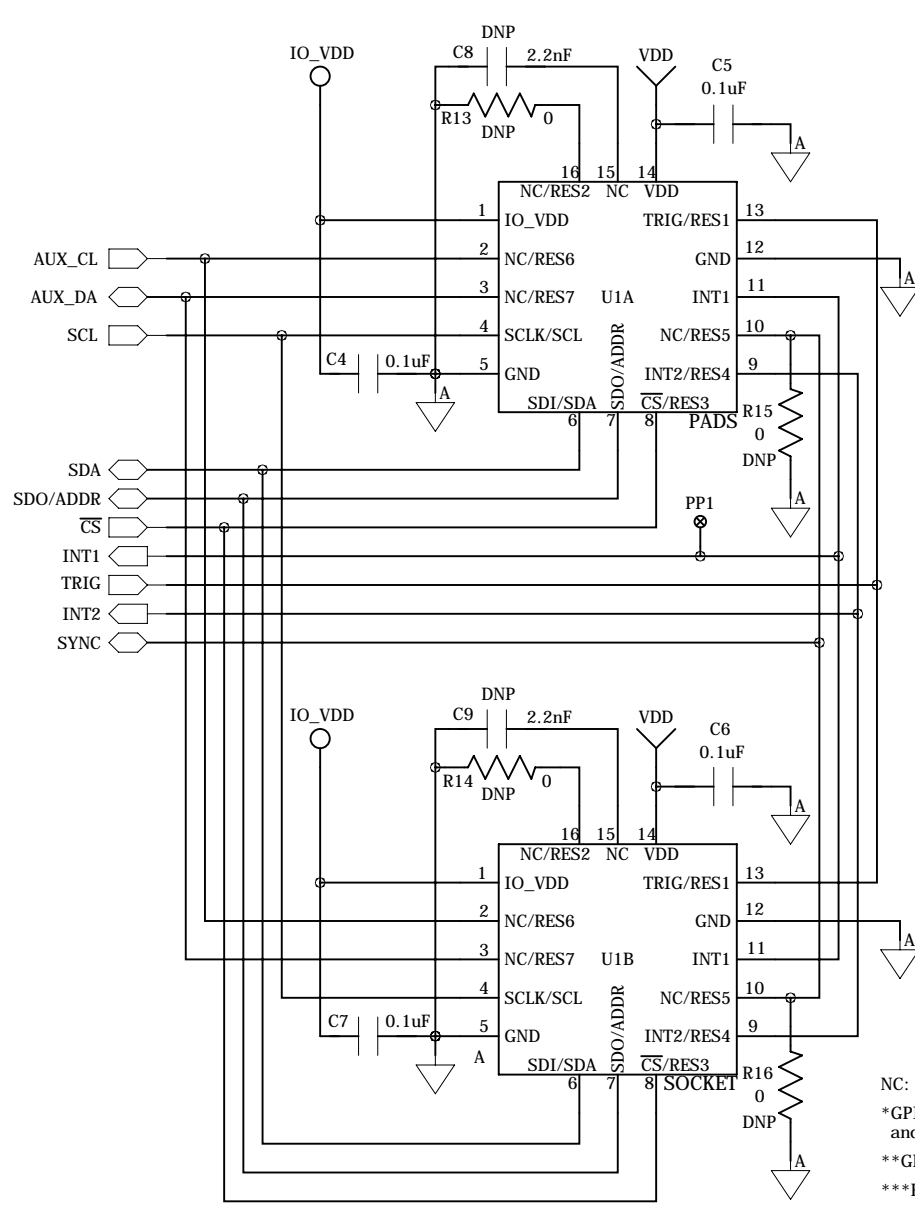
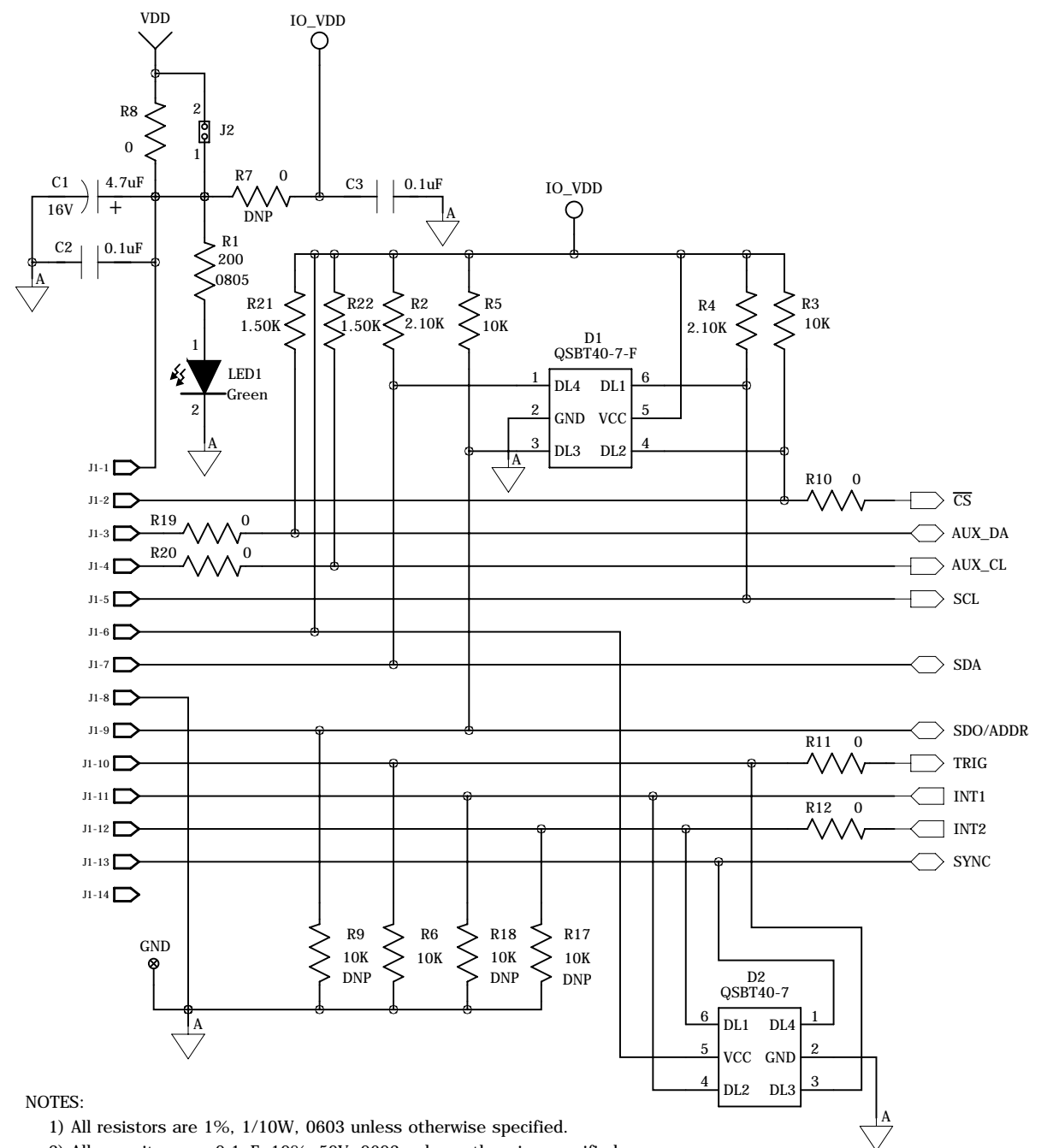
A

D

C

B

A

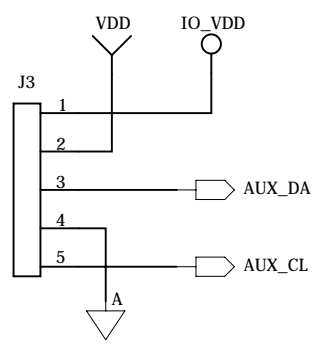


PIN	KX023	KX123	KX124	KX224	KMX62
1	IO_VDD	IO_VDD	IO_VDD	IO_VDD	IO_VDD
2	NC	NC	NC	NC	CAP
3	NC	NC	NC	NC	GND**
4	SCLK/SCL	SCLK/SCL	SCLK/SCL	SCLK/SCL	SCL
5	GND	GND	GND	GND	GND**
6	SDI/SDA	SDI/SDA	SDI/SDA	SDI/SDA	SDA
7	SDO/ADDR	SDO/ADDR	SDO/ADDR	SDO/ADDR	ADDR
8	nCS	nCS	nCS	nCS	NC
9	INT2	INT2	INT2	INT2	GPIO2*
10	NC	NC	NC	NC	NC
11	INT1	INT1	INT1	INT1	GPIO1*
12	GND	GND	GND	GND	GND**
13	TRIG	TRIG	TRIG	TRIG	NC
14	VDD	VDD	VDD	VDD	VDD
15	NC	NC	NC	NC	NC
16	NC	NC	NC	NC	NC

PIN	KXCJK	KXCNL	KXG03	KXG07	KMX63
1	IO_VDD	VIO	IO_VDD	IO_VDD	IO_VDD
2	NC	NC	AUX_CL	AUX_CL	CAP
3	NC	NC	AUX_DA	AUX_DA	GND**
4	SCL	SCL	SCLK/SCL	SCLK/SCL	SCL
5	GND	GND	RESERVED	NC	GND**
6	SDA	SDA	MISO/ADDR	MISO/ADDR	SDA
7	ADDR	ADDR	MISO/ADDR	MISO/ADDR	ADDR
8	RSVD***	NC	nCS	nCS	NC
9	RSVD****	INT2	INT2	INT2	GPIO2*
10	RSVD****	NC	SYNC	NC	NC
11	INT	INT1	INT1	INT1	GPIO1*
12	GND	GND	GND	GND	GND**
13	NC	NC	TRIG	SYNC_TRIG	NC
14	VDD	VDD	VDD	VDD	VDD
15	NC	NC	CPOUT	NC	NC
16	NC	NC	RESERVED	NC	NC

NC: Not Connected internally. Can be connected to IO_VDD, GND, or left floating.
 *GPIO1, GPIO2 pins 11, 9 cannot float when configured as an input on KMX62 and KMX63.
 **GND pins 3, 5, 12 are internally tied together to GND on KMX62 and KMX63.
 ***RSVD pin 8 must be connected to IO_VDD on KXTJK.
 ****RSVD pins 9, 10 are internally tied to GND. Connect to GND or leave floating on KXTJK.

- NOTES:
- All resistors are 1%, 1/10W, 0603 unless otherwise specified.
 - All capacitors are 0.1uF, 10%, 50V, 0603 unless otherwise specified.
 - U1B socket: Loranger, 03742 171 6218B.
 - Supported device and 7-bit I2C address:
 - KX023: 1Eh, 1Fh.
 - KX123: 1Eh, 1Fh.
 - KX124: 1Eh, 1Fh / 1Ch, 1Dh.
 - KX224: 1Eh, 1Fh / 1Ch, 1Dh.
 - KMX62, KMX63: 0Eh, 0Fh.
 - KXCJK: 0Eh, 0Fh.
 - KXCNL: 1Eh, 1Dh.
 - KXG03: 4Eh, 4Fh.
 - KXG08: 4Eh, 4Fh.



COMPANY: **Kionix Inc.**

TITLE: **3x3 LGA 16-Pin Evaluation Board**

DRAWN: J Zappala	DATED: 12/21/2017	CODE:	SIZE:	DRAWING NO:	REV:
CHECKED:	DATED:	DWG988	B	KMAEDA001R01	G
QUALITY CONTROL:	DATED:	SCALE: NONE			SHEET: 1 OF 2
RELEASED:	DATED:				

