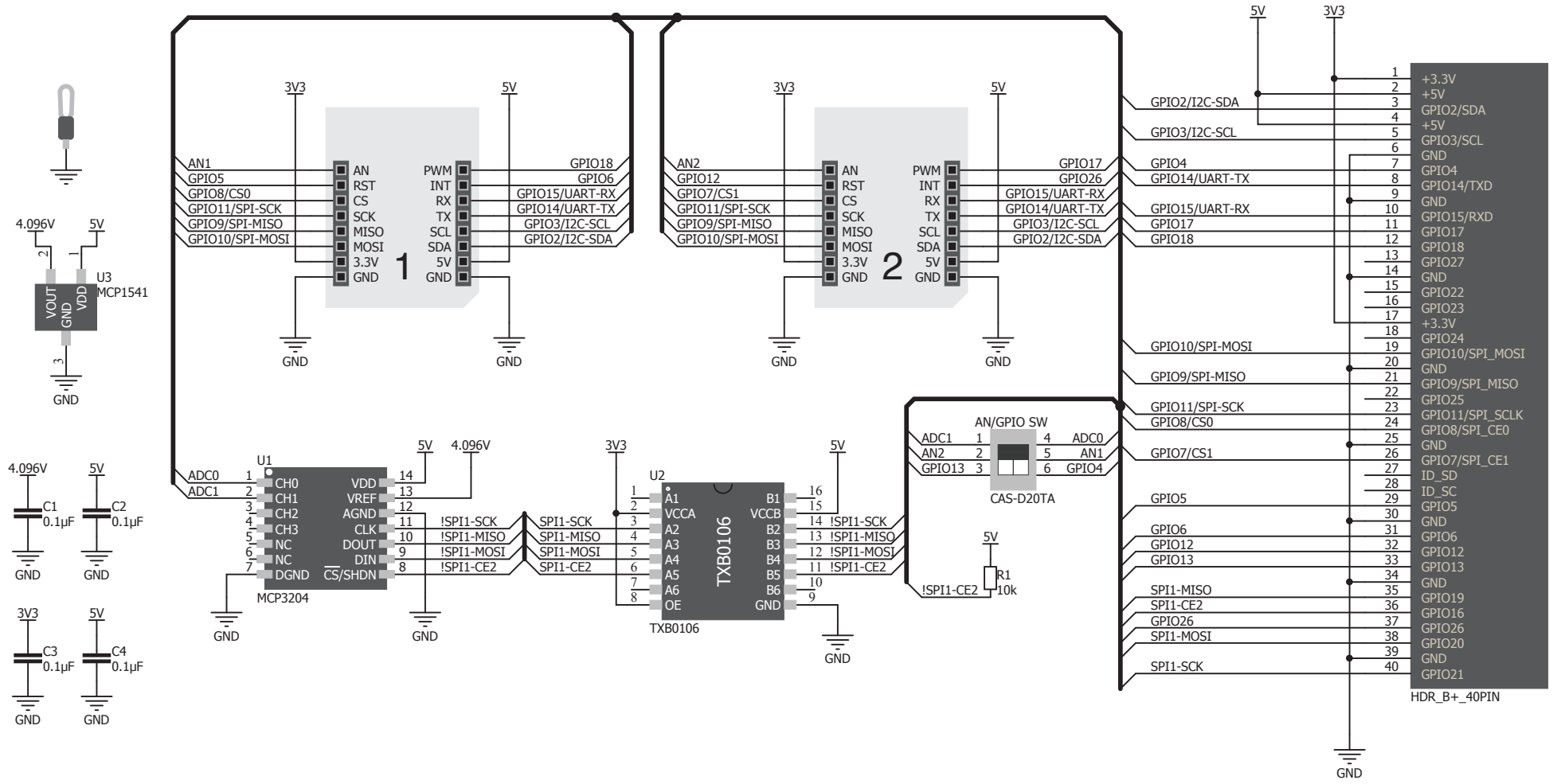


# PI 3 click shield schematic v100



[www.mikroe.com](http://www.mikroe.com)