

THIS DRAWING IS THE PROPERTY OF ANALOG DEVICES INC. IT IS NOT TO BE REPRODUCED OR COPIED, IN WHOLE OR IN PART, OR USED IN FURNISHING INFORMATION TO OTHERS, OR FOR ANY OTHER PURPOSE DETRIMENTAL TO THE INTERESTS OF ANALOG DEVICES. THE EQUIPMENT SHOWN HEREON MAY BE PROTECTED BY PATENTS OWNED OR CONTROLLED BY ANALOG DEVICES.

JUMPER TABLE		
JP#	ON	OFF
1		
2		
3		
4		
5		

REVISIONS			
REV	DESCRIPTION	DATE	APPROVED
A	INITIAL RELEASE	XX/XX	X.X.

RELAY CONTROL CHART

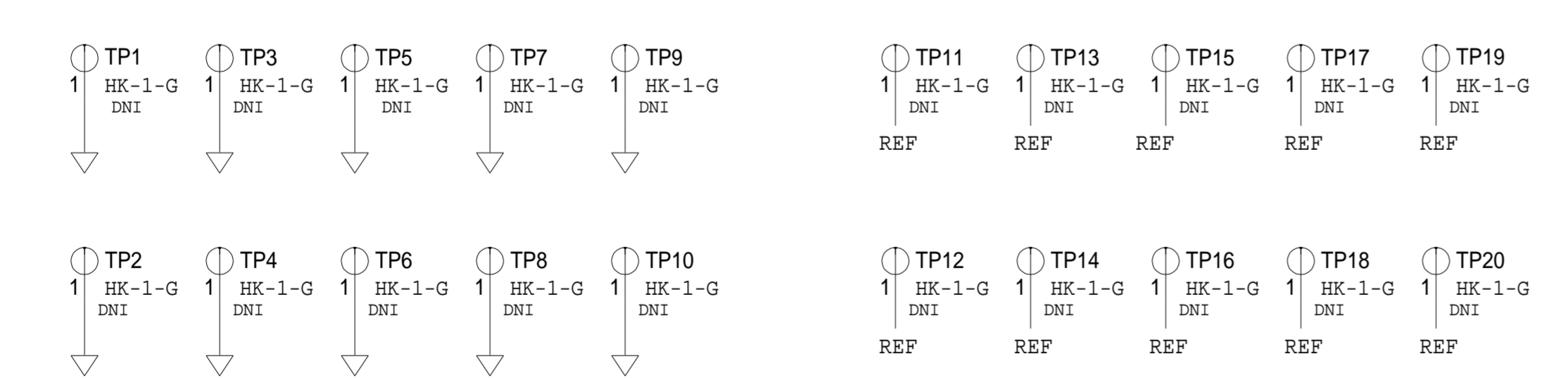
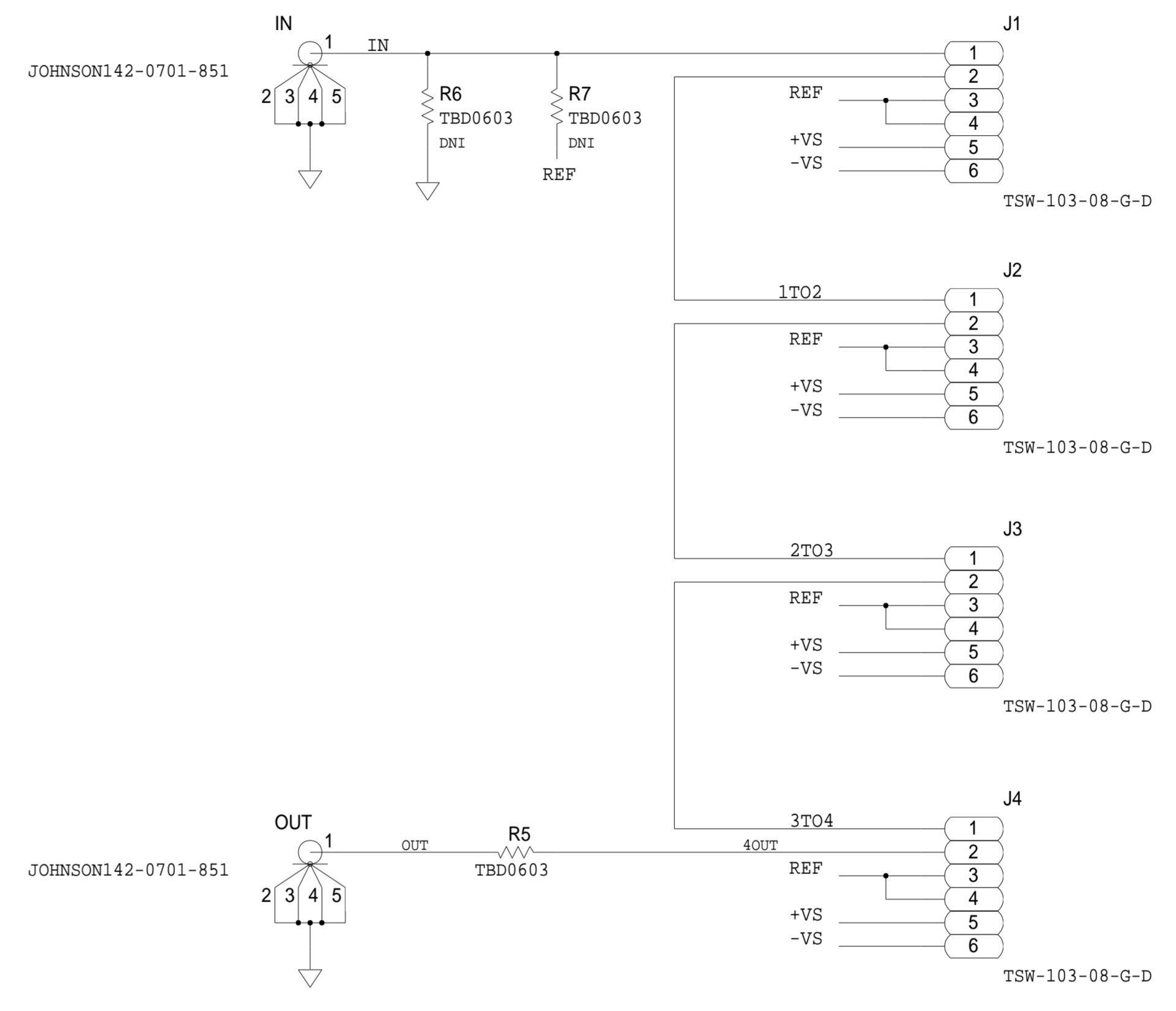
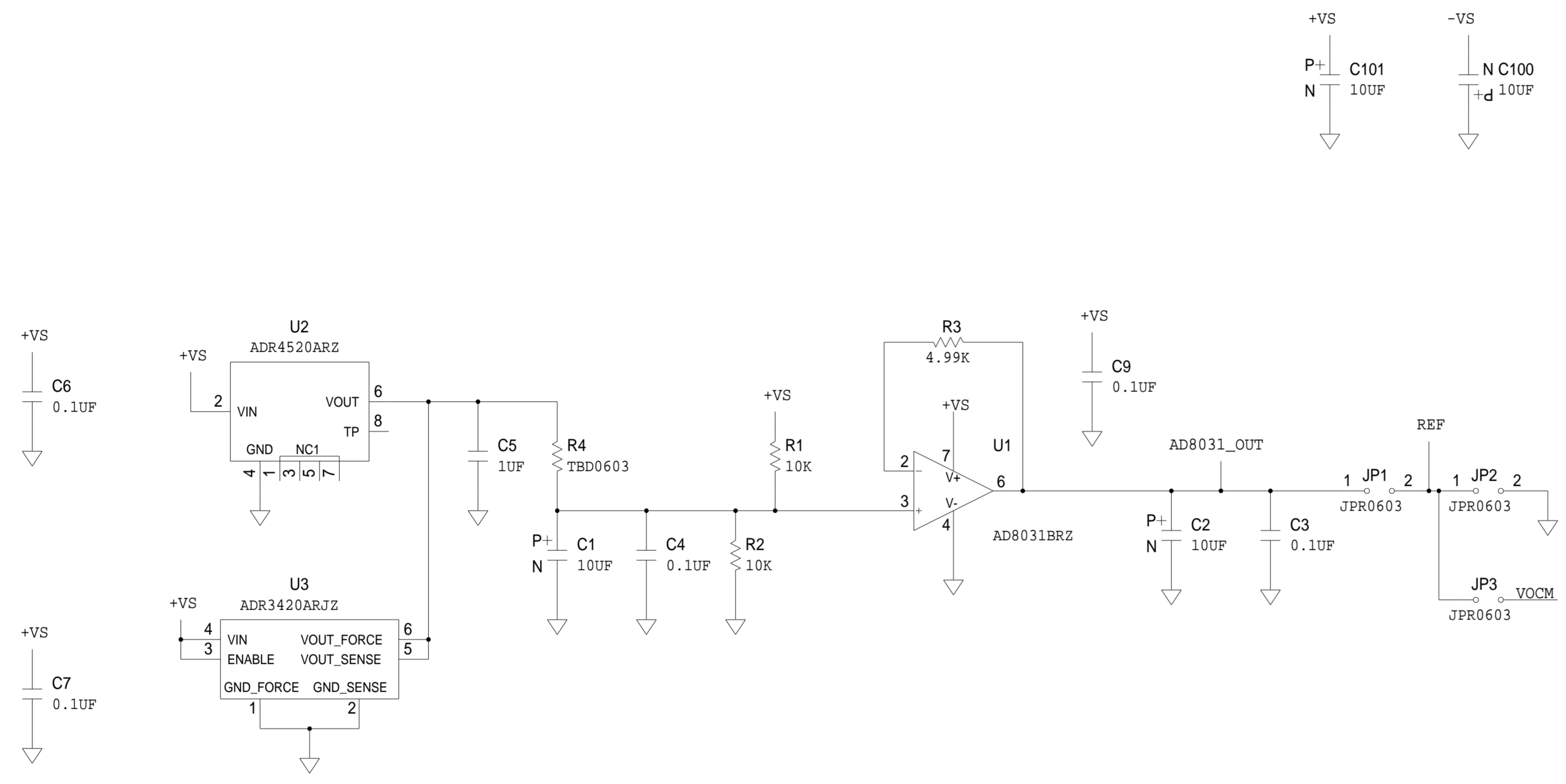
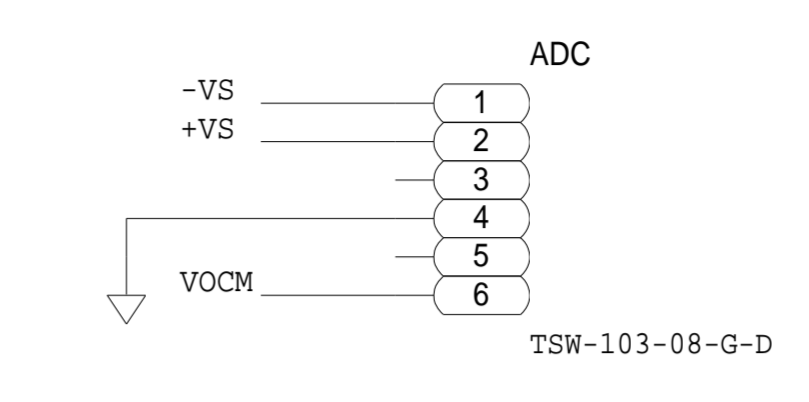
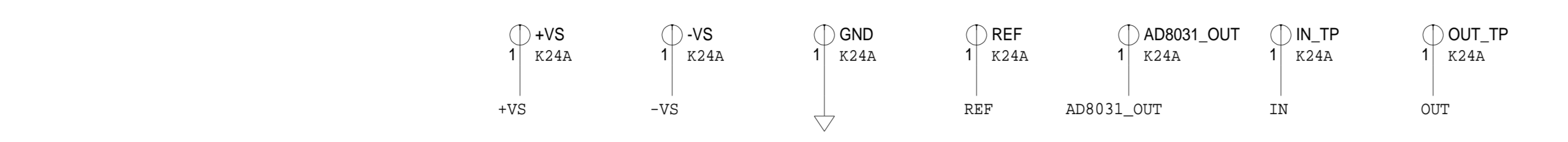
CONTROL	CODE	DEVICE	FUNCTION	CONNECTOR

\* SEE ASSEMBLY INSTRUCTIONS

TEMPLATE ENGINEER	DATE	<b>SCHEMATIC</b>	
HARDWARE SERVICES			
HARDWARE SYSTEMS			
TEST ENGINEER			
COMPONENT ENGINEER			
TEST PROCESS		EVAL BOARD BASE BOARD <PRODUCT_1> <DRAWING_TITLE1> <DRAWING_TITLE2> <DRAWING_TITLE3> <DRAWING_TITLE4> <DRAWING_TITLE5>	
HARDWARE RELEASE			
DESIGNER		MASTER PROJECT TEMPLATE <DRAWING_TITLE6>	TESTER TEMPLATE -
PTD ENGINEER		DRAWING NO. 02-034674	
CHECKER		REV. A	
UNLESS OTHERWISE SPECIFIED DIMENSIONS ARE IN INCHES TOLERANCES DECIMALS X.XX +-0.010 FRACTIONS +-1/32 ANGLES +-2 X.XXX +-0.005		SIZE <b>D</b>	SCALE <SCALE>-
		SHEET 1	OF 2

P.O SPEC.	BK/BD SPEC.	SOCKET OEM	OEM PART#	HANDLER

REVISIONS			
REV	DESCRIPTION	DATE	APPROVED



	<b>SCHMATIC</b>		
	EVAL BOARD BASE BOARD <PRODUCT_1>		
	DESIGN VIEW <DESIGN_VIEW>	DRAWING NO. 02-034674	REV A
	PTD ENGINEER <PTD_ENGINEER>	SIZE <b>D</b>	SCALE <SCALE>

SHEET 2 OF 2